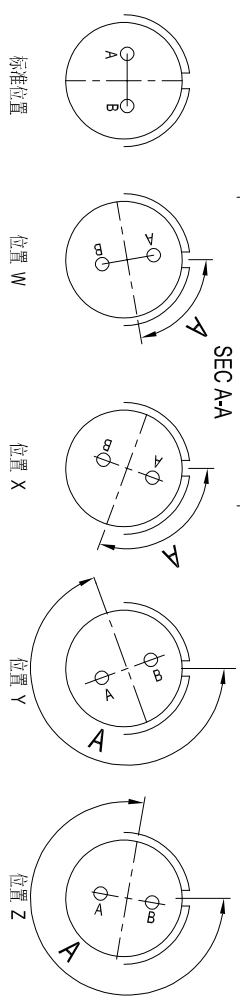
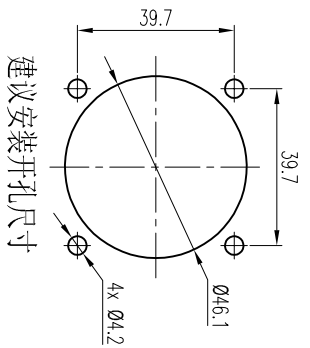
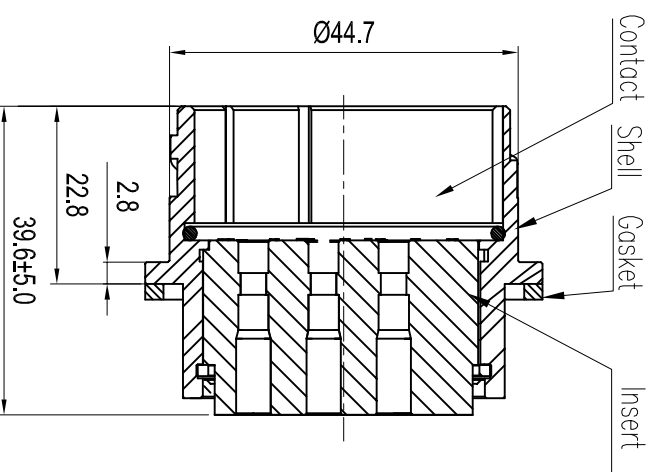
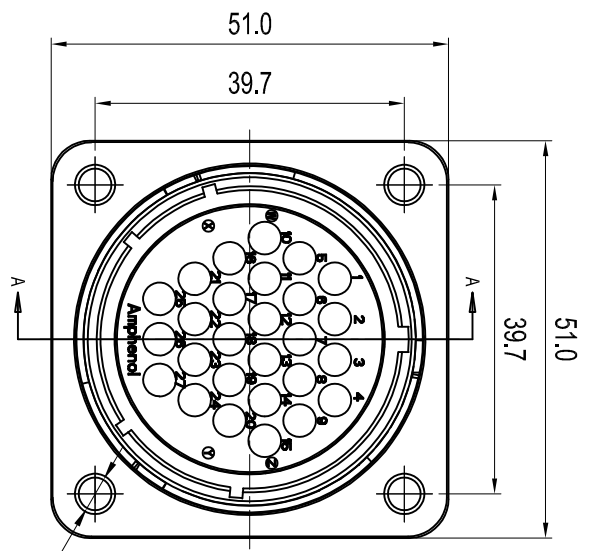


| REV | ECN | DESCRIPTION | DATE       | MODIFIED |
|-----|-----|-------------|------------|----------|
| 1   |     | PRE-RELEASE | 2018.04.04 | J.C      |



| Part Number          | Direction | Revolution Angle(A) |
|----------------------|-----------|---------------------|
| ASGL-2A-2827-PC-Z-LC | Z         | 280°                |
| ASGL-2A-2827-PC-Y-LC | Y         | 250°                |
| ASGL-2A-2827-PC-X-LC | X         | 110°                |
| ASGL-2A-2827-PC-W-LC | W         | 80°                 |

**\*Notes/技术参数:**

Material 材料\ Finish表面处理  
 Shells外壳 : Aluminum alloy/铝合金 / Olive drab zinc plated镀绿锌  
 Insert 插芯: Thermoplastics UL94-V0热塑料  
 Gasket密封垫: Silicone硅胶

Mechanical data机械参数  
 Operating Temperature温度范围: -55°C ~ +125°C  
 Durability机械寿命: 500 cycles

Electrical data电气参数:  
 Rated Voltage额定电压 : 250V AC  
 Rated Current额定电流 : 13A(#16contacts)  
 Insulation Resistance: 2000 MΩ Min  
 Contact Resistance: Less than 2.5miliohms

| DIMENSIONS                            | TOLERANCES                          | PROJECTION |
|---------------------------------------|-------------------------------------|------------|
| ANSI Y14.5M<br>UNITS: MM<br>CAD/ FILE | X ± 0.5<br>XX ±0.10<br>ANGLES ±0.5° |            |

ORIGINAL FOR CUSTOMER DISTRIBUTION

THIS DOCUMENT CONTAINS PROPRIETARY INFORMATION WHICH IS THE CONFIDENTIAL PROPERTY OF AMPHENOL POD SHENZHEN

| CH/D | SIZE | DWG NO.               | REV |
|------|------|-----------------------|-----|
| ENGR | A3   | ASGL-2A-2827-PC-XX-LC | 1   |

TITLE: RECEPTACLE/插座

SCALE: 1:1 SHEET: 1 OF 1