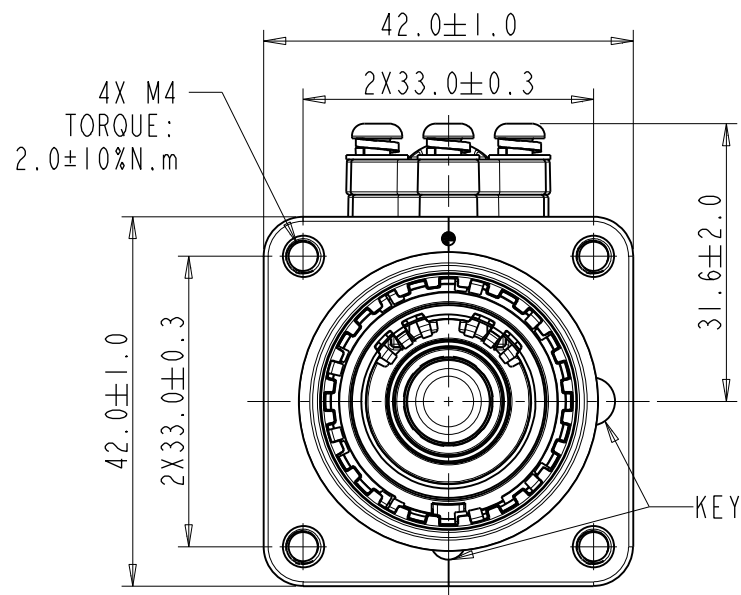
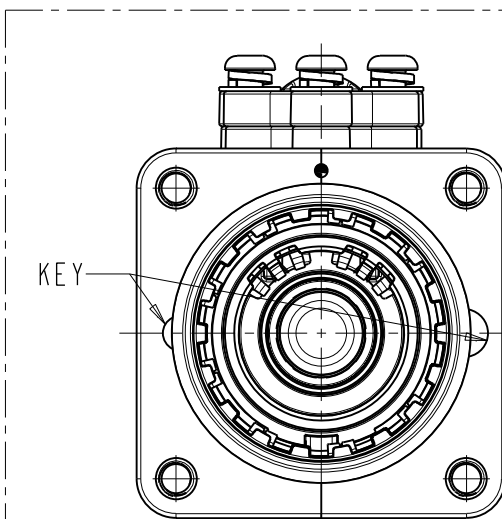
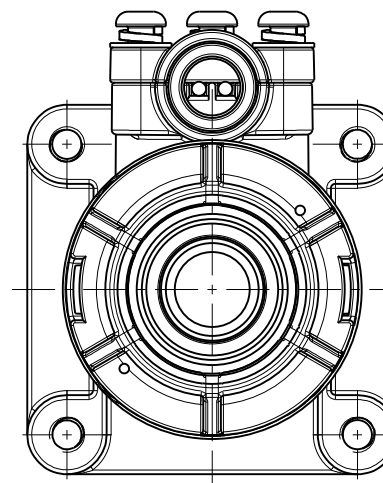
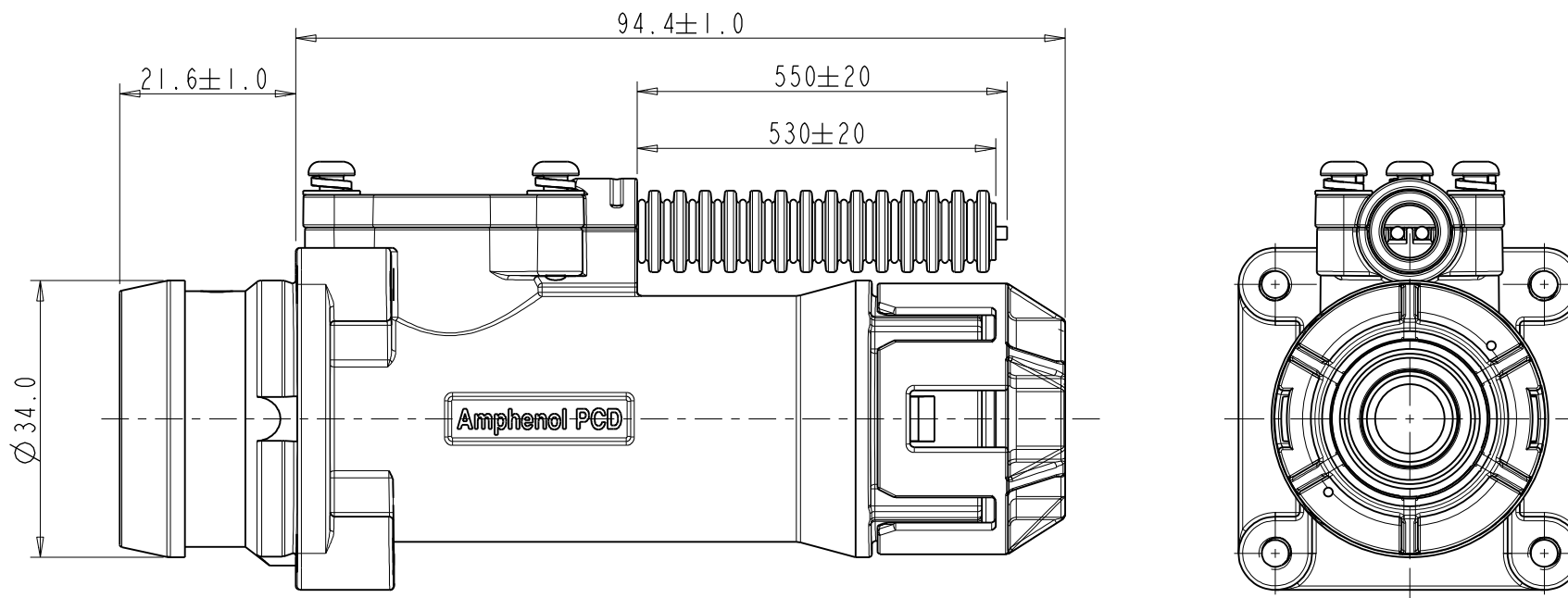


REV	ECN	DESCRIPTION	DATE	MODIFIED
1		RELEASE	Apr-20-2026	

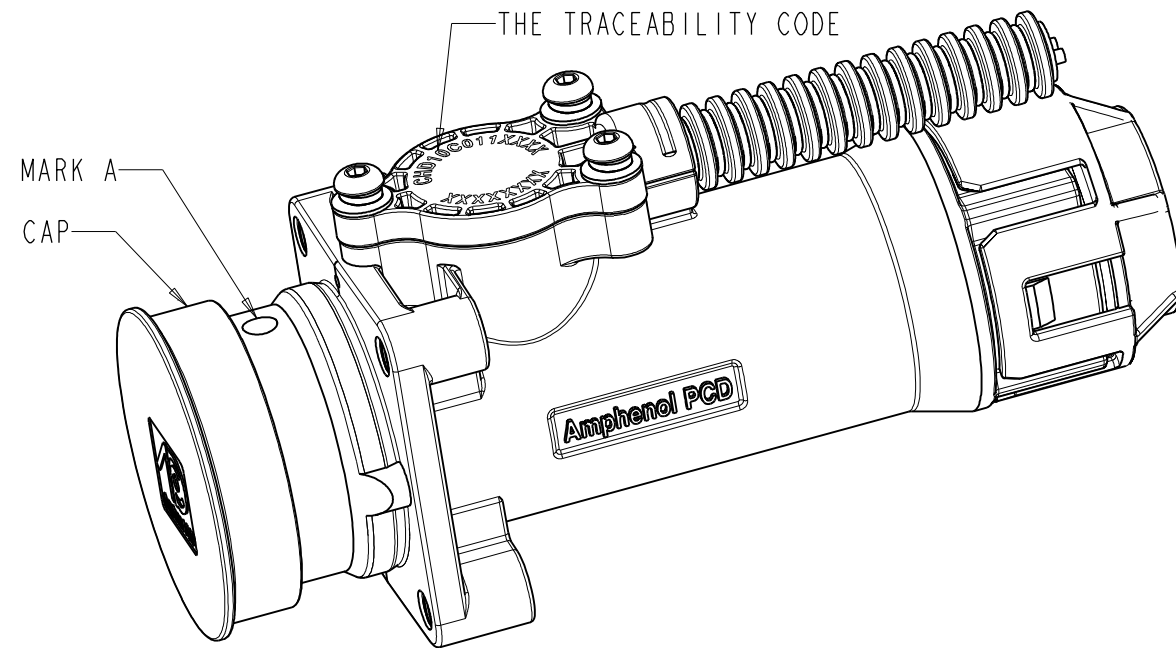
Amphenol PCD SZ
ORIGINAL
PDF Format
R&D



KEY A VIEW



KEY B VIEW



TECHNICAL DATA

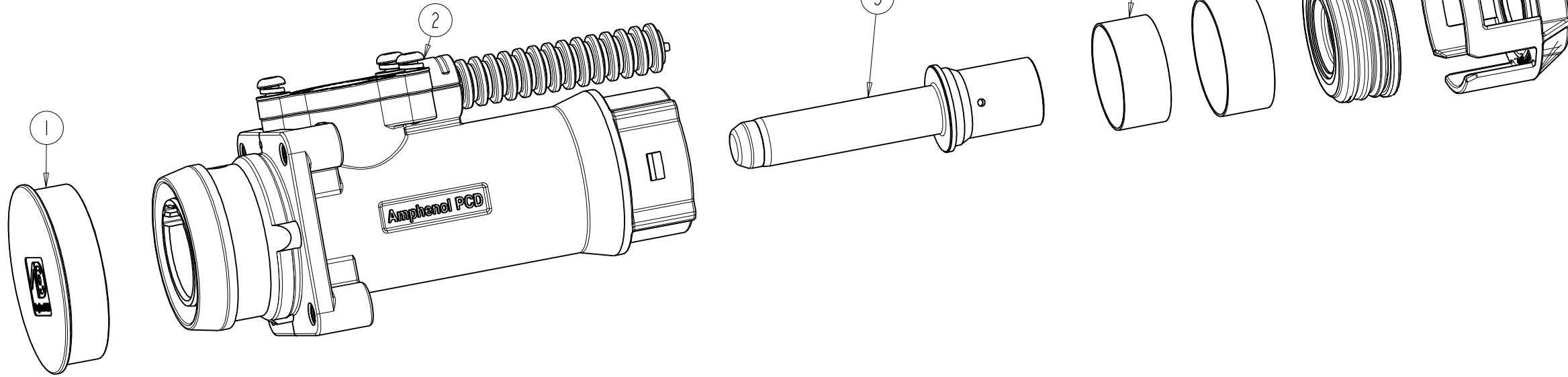
CURRENT RATE(70MM ² CABLE)	300A @ AMBIENT 70°C	+
CURRENT RATE(50MM ² CABLE)	200A @ AMBIENT 70°C	+
CURRENT RATE(HVIL PIN)	5A @ AMBIENT 70°C	
RATING VOLTAGE(OVERVOLTAGE CATEGORY II,POLLUTION DEGREE 2)	1500V DC	+
OPERATING TEMPERATURE	-40°C TO 125°C	
DIELECTRIC WITHSTANDING VOLTAGE	POWER 4000V AC(RMS) HVIL 660V AC(RMS)	+
INSULATION RESISTANCE	200MΩ MIN.@25°C (NO CABLE)	+
DURABILITY	50 CYCLES	◎
SHIELDING	YES	
WATERPROOF (MATED CONDITION)	IP67, IP6K9K	+
IP2XB(UNMATED CONDITION)	YES	+
AMBIENT TEMPERATURE	-40°C TO 70°C	
RoHS & REACH	YES	+
NEUTRAL SALT SPRAY	720H	

★ CRITICAL CHARACTERISTICS
◎ IMPORTANT CHARACTERISTICS

DIMENSIONS	TOLERANCES	PROJECTION	TITLE		
ANSI Y14.5M UNITS: MM Pro/E FILE	.X ±0.5 .XX ±0.05 ANGLES ±2°		Amphenol PCD Shenzhen		
ORIGINAL	THIS DOCUMENT CONTAINS PROPRIETARY INFORMATION WHICH IS THE CONFIDENTIAL PROPERTY OF Amphenol PCD Shenzhen Co. Ltd Amphenol PCD Shenzhen Co. Ltd RESERVES THE RIGHT TO CLARIFY THIS DRAWING	ENGR	LINEAR SOCKET		
		CHKD APPD	SIZE A3	DWG NO. C-CHD10C011X1XX	REV 1
			SCALE: 6:5	SHEET 1 OF 2	

C-CHD10C011X1XX

C-CHD10C011X1XX



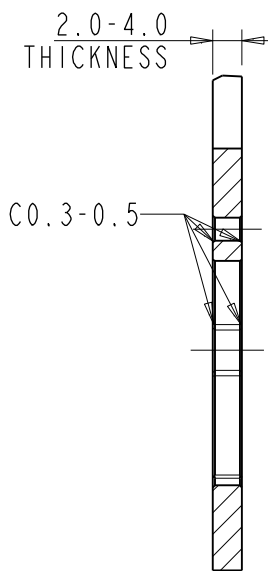
HOW TO ORDER

CHD10C 01 1 X 1 XX

WITH HVIL

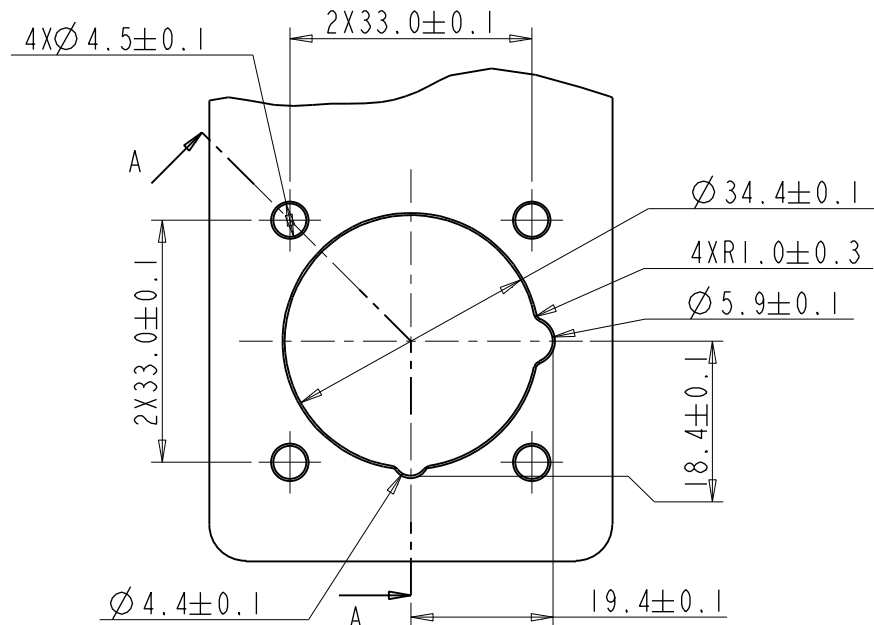
KEY & MARK		
CODE	DESCRIPTION & MARK A	ITEM 2
A	KEY A & RED	P02B00125801
B	KEY B & BLACK	P02B00125802

CODE	DESCRIPTION	ITEM 3	ITEM 4	ITEM 5	ITEM 6	ITEM 7
01	70mm ² SHIELDED CABLE OD=17.8±0.4mm(LV216)	P02B001263	P01BM00641	P01BM00640	P01BR00704	P01BP0092301
02	50mm ² SHIELDED CABLE OD=15.5±0.3mm(LV216)	P02B001259	P01BM00614	P01BM02276	P01BR00705	P01BP0092302

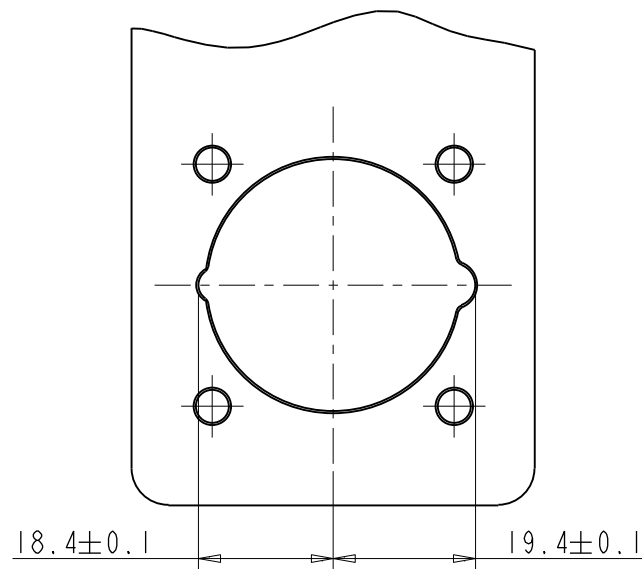


SECTION A-A

RECOMMEND PANEL



KEY A VIEW



KEY B VIEW

7	SEE TABLE	CAP	1
6		SEAL	1
5		OUTER RING	1
4		INNER RING	1
3		CONTACT	1
2		MAIN BODY	1
1	P01BP01052	CAP	1
ITEM	P/N	DESCRIPTION	Q'TY

SIZE	DWG NO.	REV
A3	C-CHD10C011X1XX	1

SCALE: 1:1

SHEET 2 OF 2