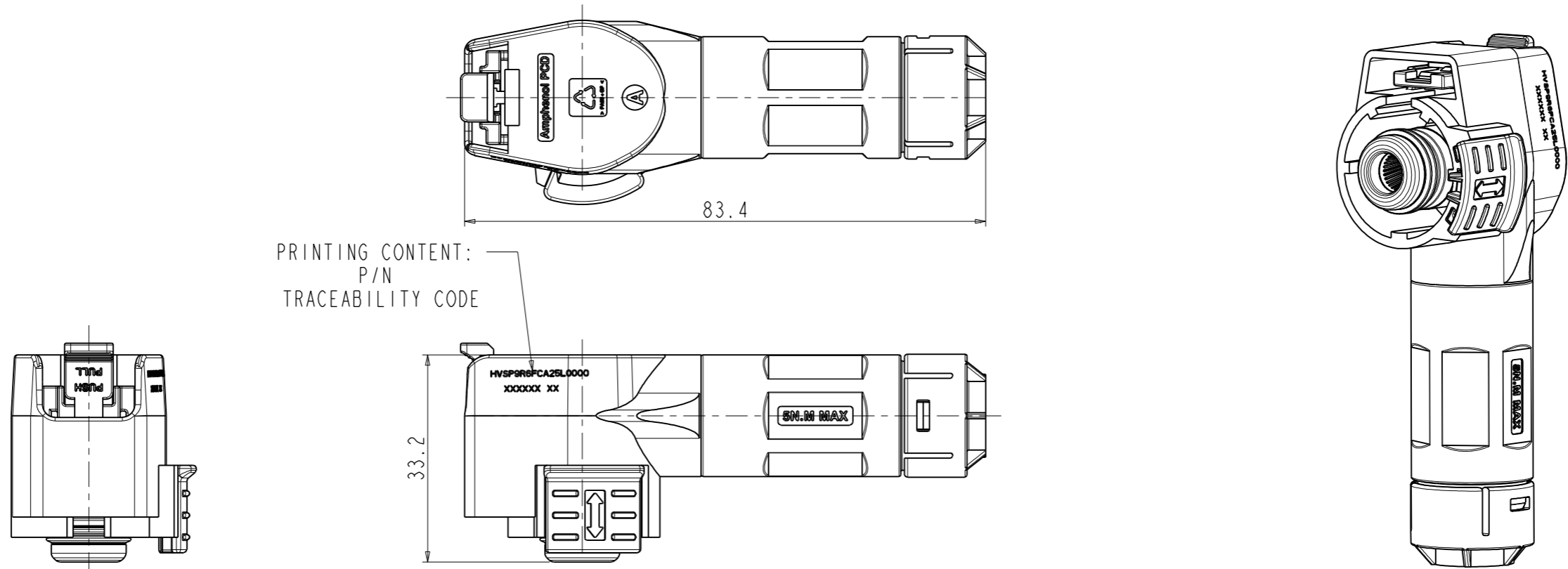


C-HVSP9R6FCXX25L0000

REV	ECN	DESCRIPTION	DATE	MODIFIED
1		FIRST RELEASE	Otc-17-2019	
2	C5607	UPGRADE THE RATING VOLTAGE	Jan-26-2022	

ORIGINAL
PDF Format
R&D



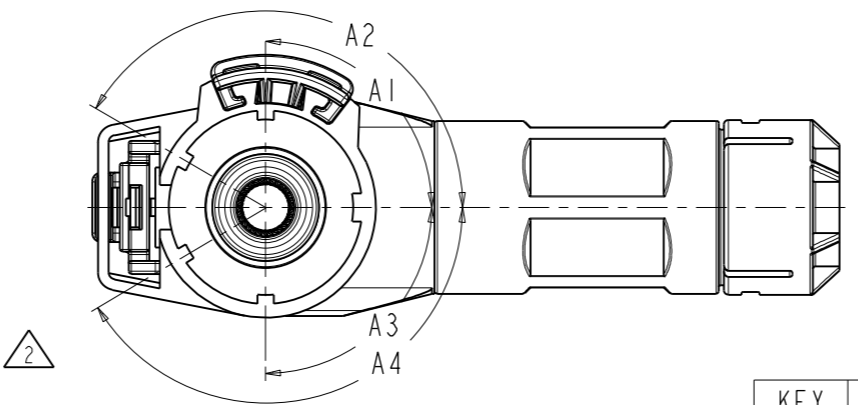
PRINTING CONTENT:
P/N
TRACEABILITY CODE

C-HVSP9R6FCXX25L0000

C-HVSP9R6FCXX25L0000

TECHNICAL DATA		REMARK
CURRENT RATE(25MM^2 CABLE)	UP TO 120A	+
RATING VOLTAGE (OVERVOLTAGE CATEGORY II POLLUTION DEGREE 2)	1500V DC	+
OPERATING TEMPERATURE	-40~125°C	
DIELECTRIC WITHSTANDING VOLTAGE	4000V AC(RMS)	+
INSULATION RESISTANCE	200MΩ MIN. @25°C	+
DURABILITY	50 CYCLES	◎
SHIELDING	NO	
WATERPROOF(MATED CONDITION)	IP 67	+
AMBIENT TEMPERATURE	-40~70 C	
PROTECTION LEVEL	IP2XB	+
RoHS&REACH	YES	+

+ CRITICAL CHARACTERISTIC MARKS/关键特性符号
◎ IMPORTANT CHARACTERISTIC MARKS/重要特性符号



HVSP 9R6 FC X X 25 L0000

KEY	A1	A2	A3	A4
A	90°	150°	90°	150°
B	90°	120°	90°	120°
C	120°	150°	120°	150°
D	120°	150°	90°	150°
E	90°	150°	120°	150°

CODE	COLOR	CABLE	DESCRIPTION
/	ORANGE	25	25MM2 UNSHIELDING ORANGE OD=9.5 TO 11
B	BLACK		

DIMENSIONS	TOLERANCES	PROJECTION	TITLE	
ANSI Y14.5M UNITS: MM Pro/E FILE	X ±0.5 XX ±0.05 ANGLES ±2°		HVSP-R6 PLUG	
ORIGINAL	THIS DOCUMENT CONTAINS PROPRIETARY INFORMATION WHICH IS THE CONFIDENTIAL PROPERTY OF Amphenol PCD Shenzhen Co. Ltd Amphenol PCD Shenzhen Co. Ltd RESERVES THE RIGHT TO CLARIFY THIS DRAWING		Amphenol PCD Shenzhen	
			Otc-17-2019	
			ENGR	
			CHKD	
			APPD	
			SIZE	DWG NO.
			A3 C-HVSP9R6FCXX25L0000	
			REV	
			2	
			CODE: 58982	SCALE: 2:1
			SHEET 1	OF 1