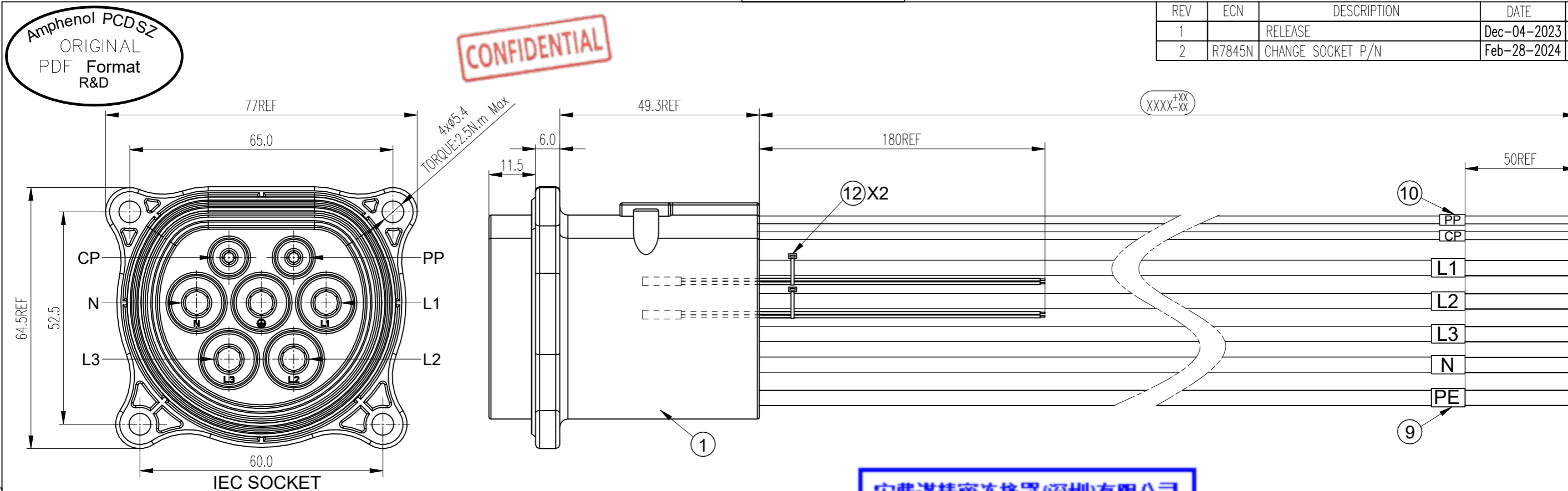


REV	ECN	DESCRIPTION	DATE	MODIFIED
1		RELEASE	Dec-04-2023	
2	R7845N	CHANGE SOCKET P/N	Feb-28-2024	



CONFIDENTIAL

CABLE CONNECT METHOD

⑪ NTC/10KΩ	6mm ² (Brown) ②	L1
⑪ NTC/10KΩ	6mm ² (Black) ③	L2
	6mm ² (Gray) ④	L3
	6mm ² (Blue) ⑤	N
	6mm ² (Ye/Gn) ⑥	PE
	0.5mm ² (Red) ⑦	PP
	0.5mm ² (Black) ⑧	CP

HVCOILFS706NTL XXXX

LENGTH	TOLERANCE
0~1000mm	+25 -10
1001~5000mm	+40 -10
>5000mm	+50 -20

安费诺精密连接器(深圳)有限公司
Amphenol PCD Shenzhen
受控文件
2024年3月14日

⑫	C210003609	CABLE TIE BLACK	2	EA
⑪	P01BN00748	NTC TR29 Ø3X12 R ₂₅ = 10KΩ B _{25/50} =3950K 24AWG BLACK	2	EA
⑩	C210006837	H.S.T: Ø3.2 WHITE NOT MARKING	0.05	m
⑨	P05B000006	H.S.T: Ø6.0 WHITE NOT MARKING	0.10	m
⑧	C210030045	0.5mm ² UNSHIELDING BLACK OD=1.6±0.1	AR	m
⑦	C210030046	0.5mm ² UNSHIELDING RED OD=1.6±0.1	AR	m
⑥	C210030042	6mm ² UNSHIELDING YELLOW/GREEN, XLPE OD=5.1±0.2	AR	m
⑤	P01BC00200	6mm ² TINNED UNSHIELDING BLUE, XLPE OD=5.1±0.2	AR	m
④	P01BC00201	6mm ² TINNED UNSHIELDING GRAY, XLPE OD=5.1±0.2	AR	m
③	P01BC00202	6mm ² TINNED UNSHIELDING BLACK, XLPE OD=5.1±0.2	AR	m
②	P01BC00199	6mm ² TINNED UNSHIELDING BROWN, XLPE OD=5.1±0.2	AR	m
①	P02B000641	IEC SOCKET OUTLET : P02B000641 BLACK	1	EA

***Notes:**

1. Cable assembly data:

- ★ Rated Voltage: 480V AC (L1&L2&L3&N&PE); 30V DC (CP&PP);
- ★ Rated Current: 32A (L1&L2&L3&N); 2A (CP&PP);
- ★ IP-Class: IP2X; IP55 (Mated)
- ★ Insulation Resistance: 100MΩ Min/500V DC
- ★ Withstand Voltage: 2000V r.m.s / L1&L2&L3&N&PE 500V r.m.s / PP&CP

◎ Durability: >10000 Cycles

Insertion & Withdrawal Force: <100N

★ RoHS Compliance

Ambient Temperature: -30°C ~ +50°C

2. Reference Standard IEC 62196-2; CE marking

3. Installed towards down, install standard reference: C-P02B000641

4. The cable should be fixed at 100mm max from the rear of connector

5. Cable Minimum Bending Radius: ≥5OD

DIMENSIONS	TOLERANCES	PROJECTION	TITLE		
ANSI Y14.5M UNITS: MM CAD FILE	.X ± 0.5 .XX ± 0.05 ANGLES ± 2.0°		IEC SOCKET OUTLET 32A 3P WITH NTC CABLE ASSEMBLY		
ORIGINAL	THIS DOCUMENT CONTAINS PROPRIETARY INFORMATION WHICH IS THE CONFIDENTIAL PROPERTY OF Amphenol PCD Shenzhen Co. Ltd Amphenol PCD Shenzhen Co. Ltd RESERVES THE RIGHT TO CLARIFY THIS DRAWING		ENGR	SIZE A3	DWG NO. C-HVCOILFS706NTLXXXX
			APPD	SCALE NA	REV 2
				SHEET 1 OF 1	

C-HVCOILFS706NTLXXXX

C-HVCOILFS706NTLXXXX