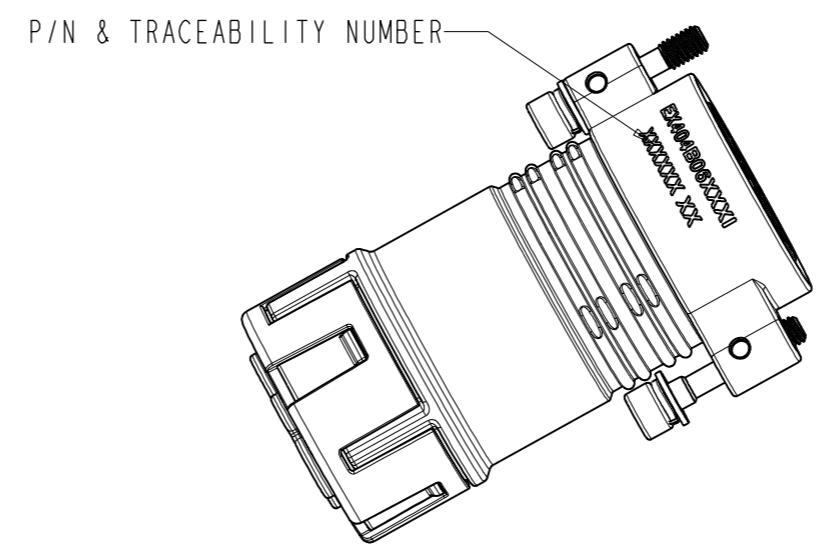
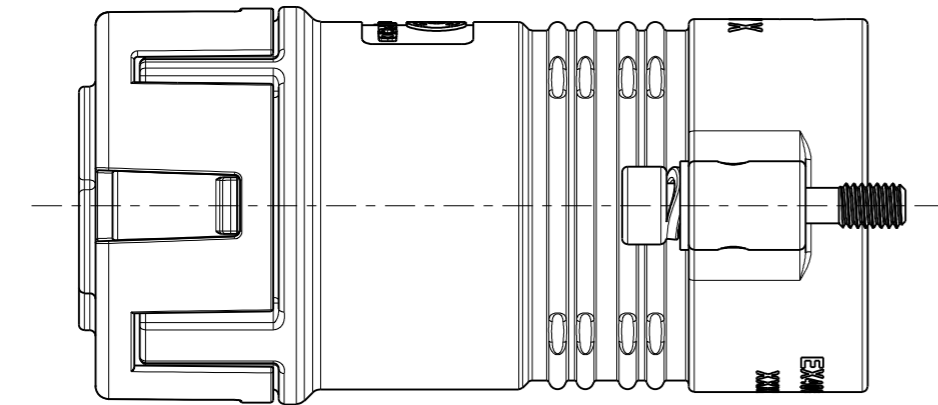
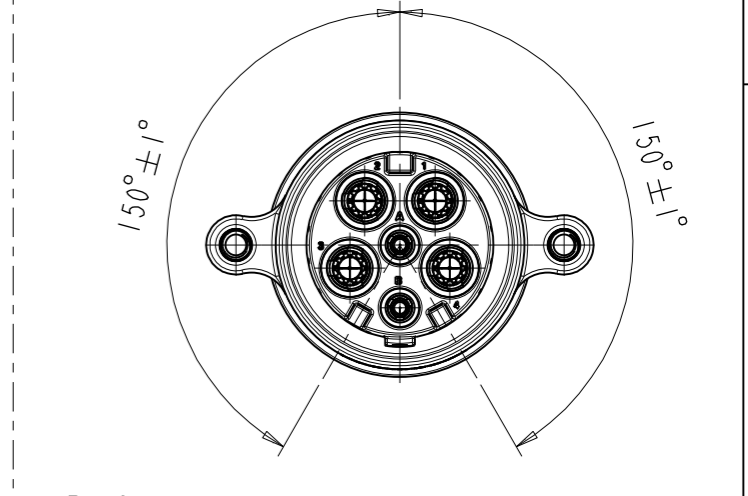
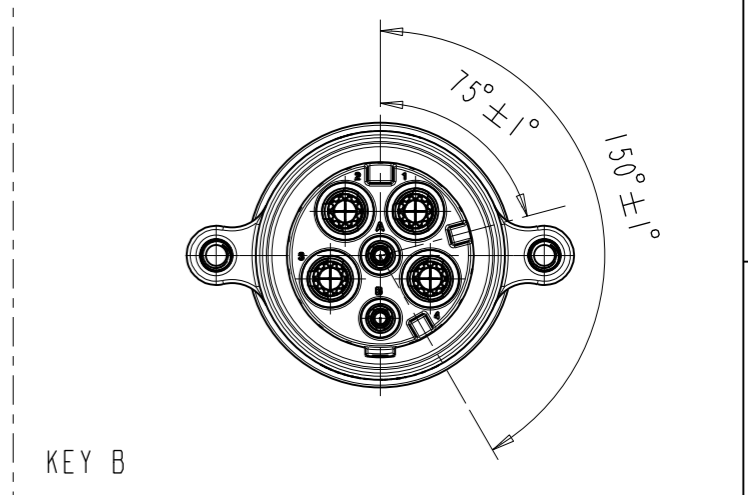
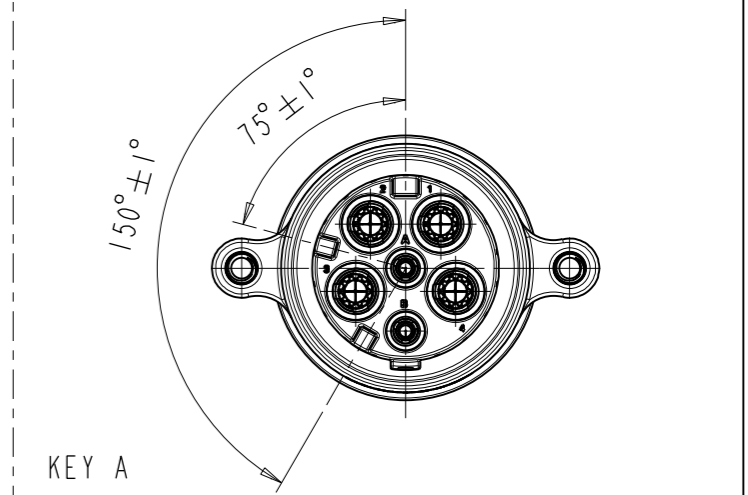
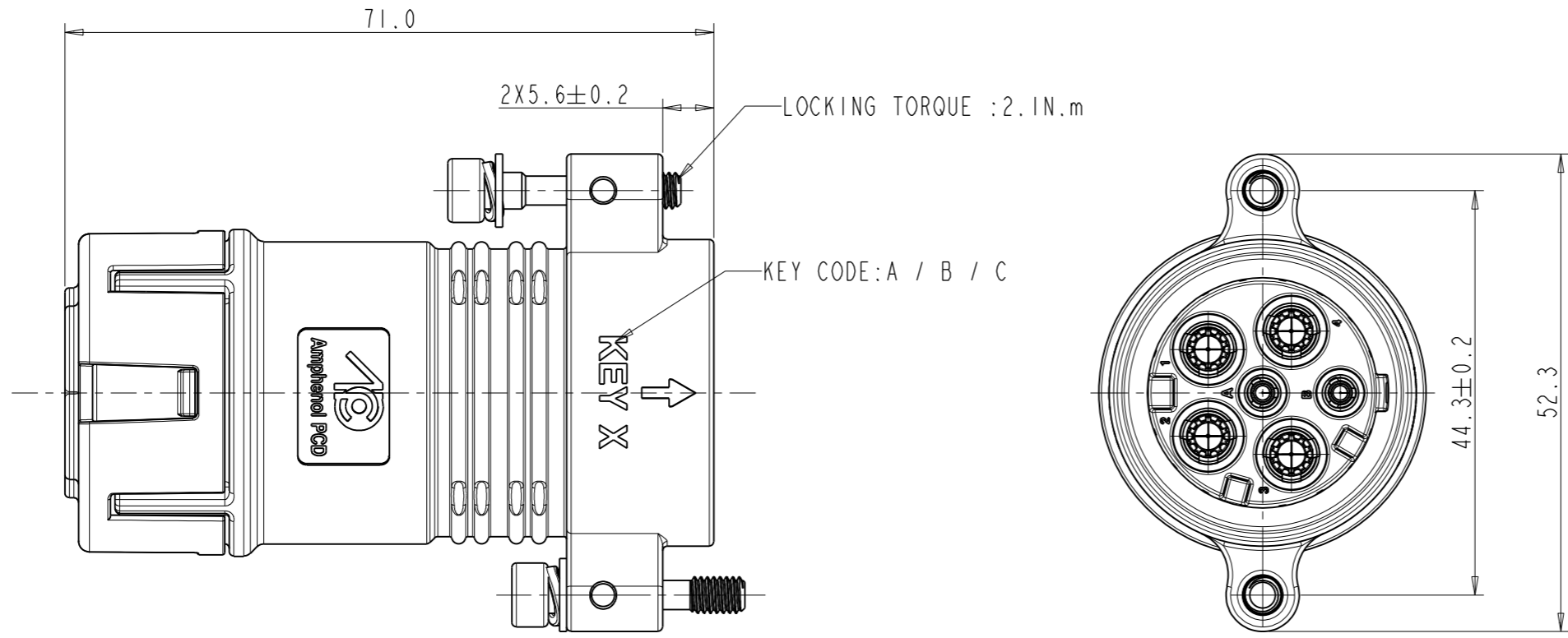


Amphenol PCDSZ
ORIGINAL
PDF Format
R&D

REV	ECN	DESCRIPTION	DATE	MODIFIED
1		PRE- RELEASE	Dec-28-2022	
2	C7123N	CANCEL THE EXTERNAL HVIL	Aug-24-2023	



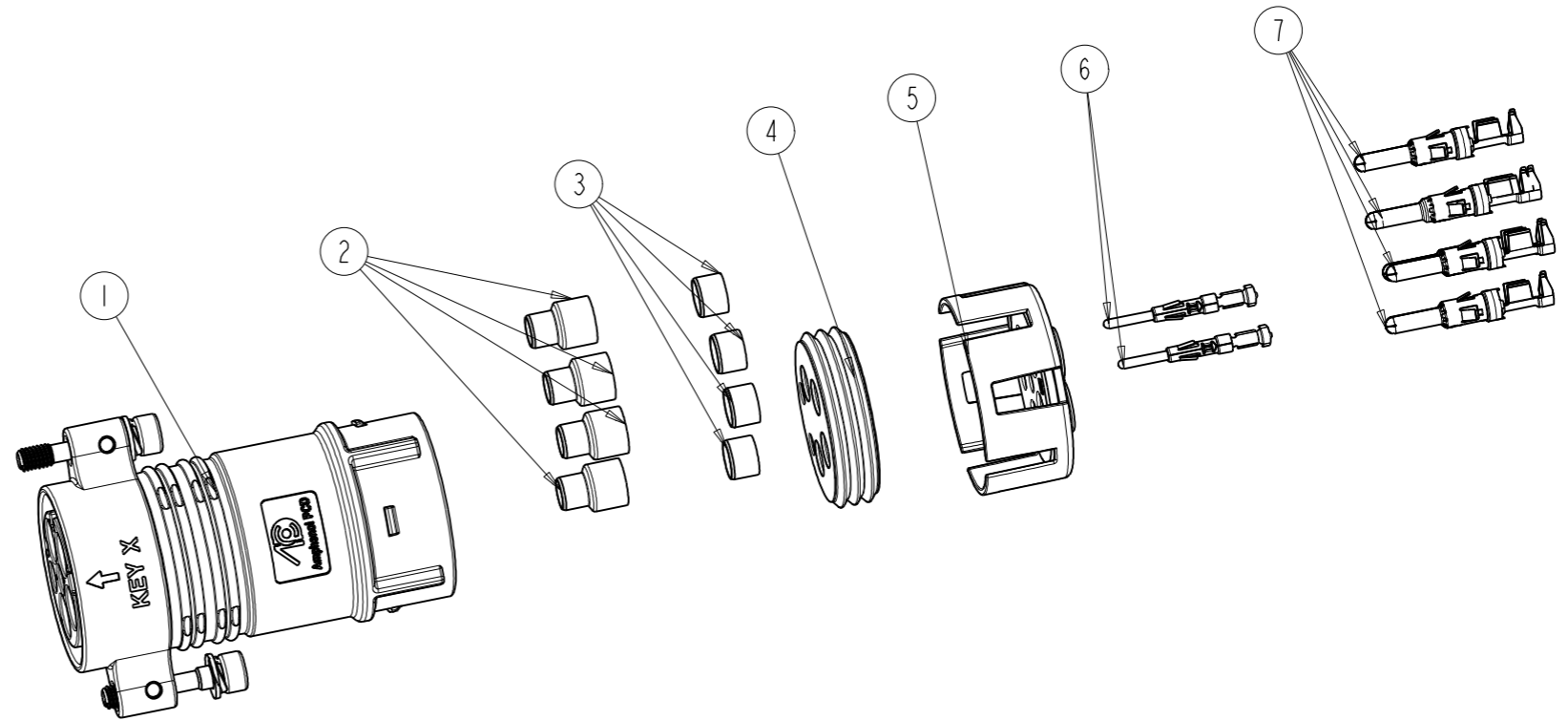
C-EX404B06XXXI

C-EX404B06XXXI

DIMENSIONS	TOLERANCES	PROJECTION	TITLE			
ANSI Y14.5M UNITS: MM Pro/E FILE	.X ±0.5 .XX ±0.05 ANGLES ±2°		Amphenol PCD Shenzhen			
ORIGINAL	THIS DOCUMENT CONTAINS PROPRIETARY INFORMATION WHICH IS THE CONFIDENTIAL PROPERTY OF Amphenol PCD Shenzhen Co. Ltd Amphenol PCD Shenzhen Co. Ltd RESERVES THE RIGHT TO CLARIFY THIS DRAWING		ENGR	Dec-28-2022		
			CHKD	SIZE	DWG NO.	REV
			APPD	A3	C-EX404B06XXXI	2
			SCALE: 3:2		SHEET 1 OF 2	

I. TECHNICAL DATA

TECHNICAL DATA		
CURRENT RATE (2.5MM ² SHIELD CABLE)	23A @ AMBIENT 70	+
CURRENT RATE (4MM ² SHIELD CABLE)	32A @ AMBIENT 70	+
RATING VOLTAGE (OVERVOLTAGE CATEGORY II POLLUTION DEGREE 2)	1000V DC	+
OPERATING TEMPERATURE	-40~125°C	
DIELECTRIC WITHSTANDING VOLTAGE	POWER CONTACT 3000V AC(RMS)	+
	HVIL CONTACT 660V AC(RMS)	
INSULATION RESISTANCE	200M Ω MIN.@25	+
DURABILITY	50 CYCLES	◎
SHIELDING	YES	
WATERPROOF (MATED CONDITION)	IP68 & IP6K9K	+
PROTECTION LEVEL(UNMATED)	IP2XB	+
AMBIENT TEMPERATURE	-40~70°C	
RoHS&REACH	YES	+



HOW TO ORDER:

EX404B 06 X X X I

4+2 PIN

PLUG

I: INDIVIDUAL SHIELDING CABLE

CABLE SIZE OPTION:

TABLE 3					
CODE	DESCRIPTION	2# OUTER FERRULE	3# INNER FERRULE	4# SEAL	5# BACK CAP
2	2.5MM ² , MEET LV216 OD= 4.7+0/-0.5MM	C4310036501	C4200036651	P01BR00556	P01BP0074602
4	4MM ² , MEET LV216, OD= 5.8+0/-0.5MM	C4310036502	C4200036652	P01BR00555	P01BP0074601

INTERLOCK CODE: \triangle_2

TABLE 2		
CODE	DESCRIPTION	6# HVIL CONTACT
0	WITHOUT HVIL	N/A
1	WITH SHORTED HVIL	N/A

KEY & COLOR CODE:

TABLE 1		
CODE	DESCRIPTION	1# MAIN BODY
A	KEY A, RED	P02B00031401
B	KEY B, BLACK	P02B00031402
C	KEY C, YELLOW	P02B00031403

2. ASSEMBLY BOM LIST

7	EX30M4	POWER CONTACT, 2.5&4MM ² CABLE NEED TO BUY SEPARATELY	4
6	SEE ABL 2	HVIL CONTACT NEED TO BUY SEPARATELY	2
5	SEE ABL 3	BACK CAP	1
4	SEE ABL 3	SEAL	1
3	SEE ABL 3	INNER FERRULE	4
2	SEE ABL 3	OUTER FERRULE	4
1	SEE ABL 1	MAIN BODY	1
ITEM	P/N	DESCRIPTION	QTY

+ CRITICAL CHARACTERISTICS 关键特性
◎ IMPORTANT CHARACTERISTICS 重要特性

SIZE A3	DWG NO. C-EX404B06XXXI	REV 2
SCALE: 3:2		SHEET 2 OF 2