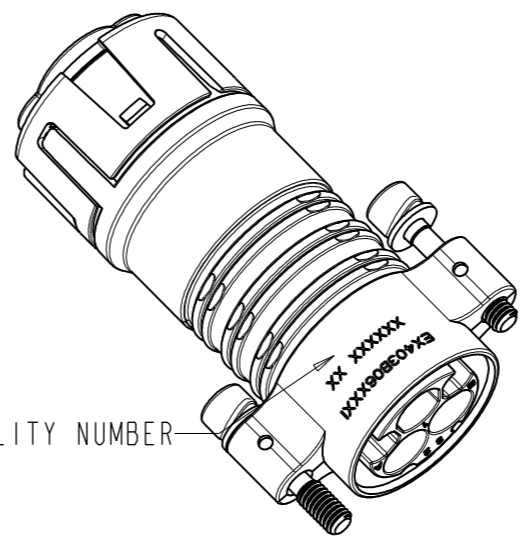
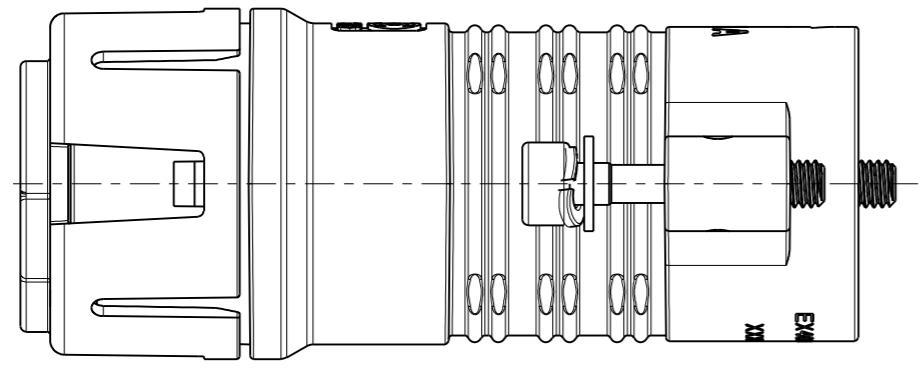
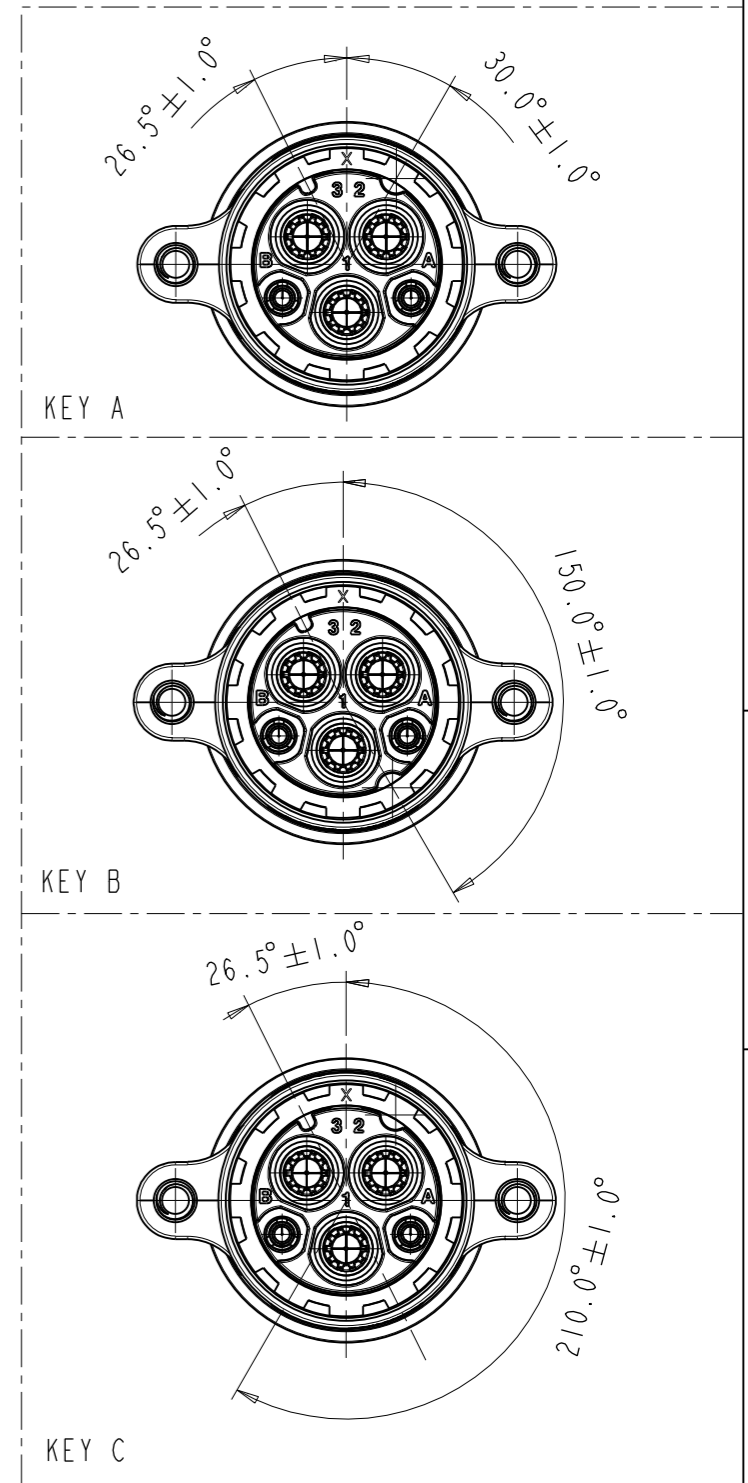
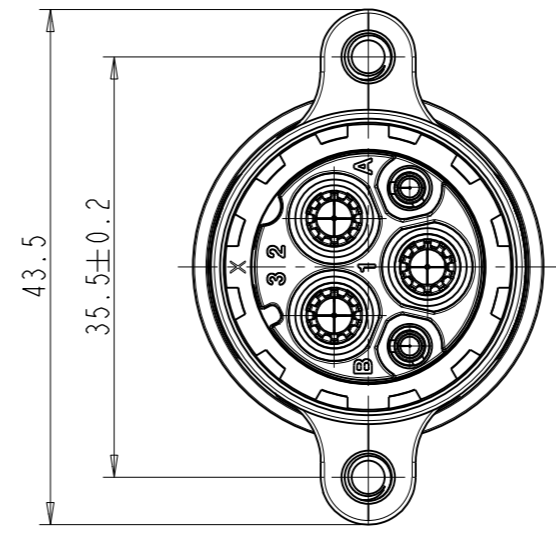
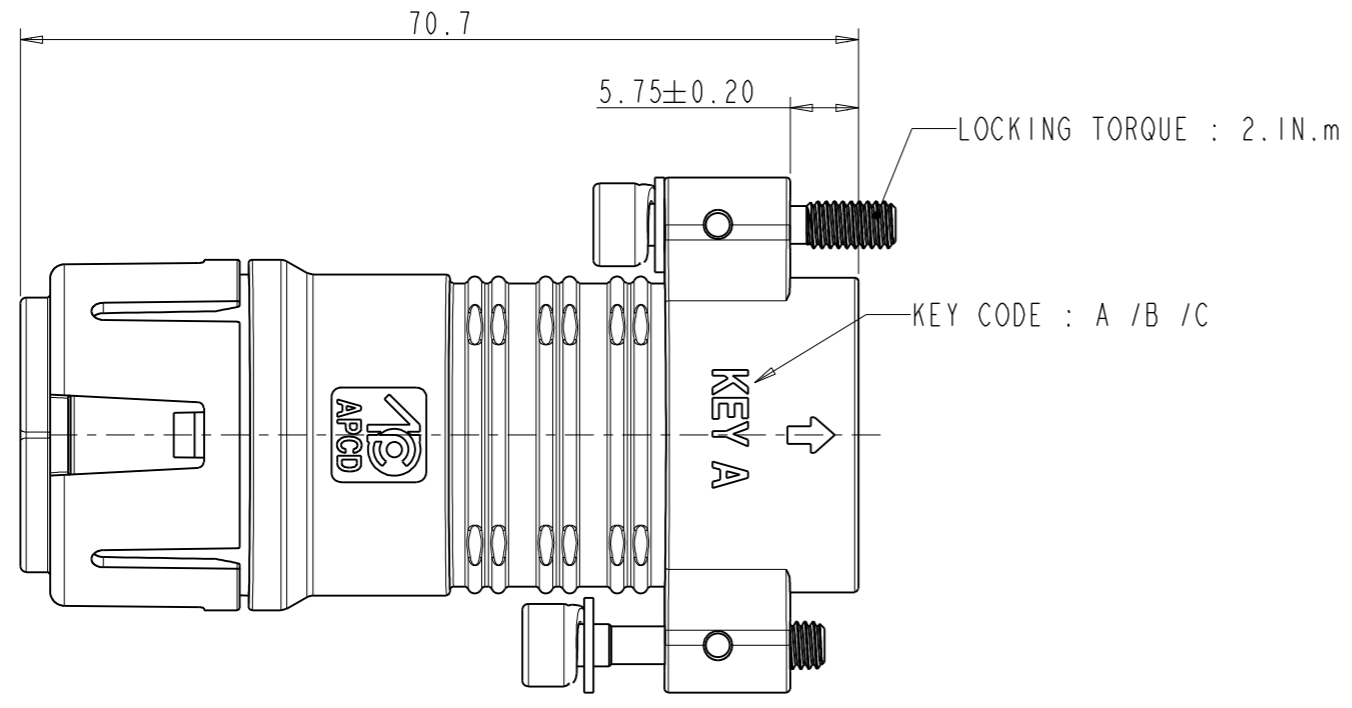


Amphenol PCD SZ  
ORIGINAL  
PDF Format  
R&D

REV	ECN	DESCRIPTION	DATE	MODIFIED
1		PRE- RELEASE	Dec-12-22	
2	C7123N	CANCEL THE EXTERNAL HVIL	Aug-24-23	



C-EX403B06XXXI

C-EX403B06XXXI

<b>DIMENSIONS</b> ANSI Y14.5M UNITS: MM Pro/E FILE	<b>TOLERANCES</b> .X ±0.5 .XX ±0.05 ANGLES ±2°	<b>PROJECTION</b> 	<b>Amphenol PCD Shenzhen</b>			<b>TITLE</b>  <b>PLUG 3+2</b>		
			ENGR  Dec-12-22	CHKD	APPD	SIZE <b>A3</b>	DWG NO. <b>C-EX403B06XXXI</b>	REV <b>2</b>
<b>ORIGINAL</b>	THIS DOCUMENT CONTAINS PROPRIETARY INFORMATION WHICH IS THE CONFIDENTIAL PROPERTY OF Amphenol PCD Shenzhen Co. Ltd Amphenol PCD Shenzhen Co. Ltd RESERVES THE RIGHT TO CLARIFY THIS DRAWING			SCALE: 3:10			SHEET 1 OF 2	

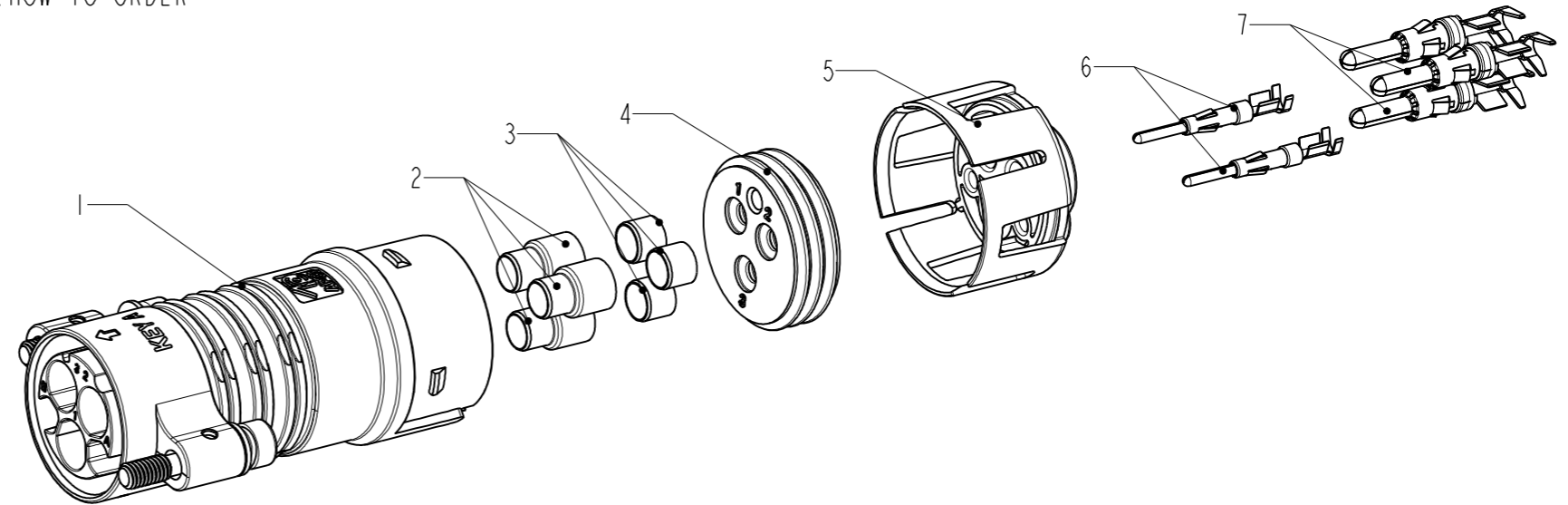
I. TECHNICAL DATA

TECHNICAL DATA		
CURRENT RATE (2.5MM <sup>2</sup> SHIELD CABLE)	23A @ AMBIENT 70	+
CURRENT RATE (4MM <sup>2</sup> SHIELD CABLE)	32A @ AMBIENT 70	+
RATING VOLTAGE (OVERVOLTAGE CATEGORY II POLLUTION DEGREE 2)	1000V DC	+
OPERATING TEMPERATURE	-40~125°C	
DIELECTRIC WITHSTANDING VOLTAGE	POWER CONTACT 3000V AC(RMS)	+
	HVIL CONTACT 660V AC(RMS)	
INSULATION RESISTANCE	200MΩ MIN.@25	+
DURABILITY	50 CYCLES	◎
SHIELDING	YES	
WATERPROOF (MATED CONDITION)	IP68 & IP6K9K	+
PROTECTION LEVEL(UNMATED)	IP2XB	+
AMBIENT TEMPERATURE	-40~70°C	
RoHS&REACH	YES	+

2. ASSEMBLY BOM LIST

7	EX30M4	POWER CONTACT,2.5&4MM <sup>2</sup> CABLE NEED TO BUY SEPARATELY	3
6	SEE ABL 2	HVIL CONTACT NEED TO BUY SEPARATELY	2
5	SEE ABL 3	BACK CAP	1
4	SEE ABL 3	SEAL	1
3	SEE ABL 3	INNER FERRULE	3
2	SEE ABL 3	OUTER FERRULE	3
1	SEE ABL 1	MAIN BODY	1
ITEM	P/N	DESCRIPTION	QTY

3. HOW TO ORDER



EX403B 06 X X X I  
3+2 PIN PLUG

I: INDIVIDUAL SHIELDING CABLE

CABLE SIZE OPTION:

TABLE 3					
CODE	DESCRIPTION	2# OUTER FERRULE	3# INNER FERRULE	4# SEAL	5# BACK CAP
2	2.5MM <sup>2</sup> , MEET LV216 OD= 4.7+0/-0.5MM	C4310036501	C4200036651	P01BR00561	P01BP00760
4	4MM <sup>2</sup> , MEET LV216, OD= 5.8+0/-0.5MM	C4310036502	C4200036652	P01BR00575	C4220035652

INTERLOCK CODE:

TABLE 2		
CODE	DESCRIPTION	6# HVIL CONTACT
0	WITHOUT HVIL	N/A
1	WITH SHORTED HVIL	N/A

KEY & COLOR CODE:

TABLE 1		
CODE	DESCRIPTION	1# MAIN BODY
A	KEY A, RED	P02B00030301
B	KEY B, BLACK	P02B00030302
C	KEY C, YELLOW	P02B00030303

SIZE <b>A3</b>	DWG NO. <b>C-EX403B06XXXI</b>	REV <b>2</b>
SCALE: 3:10		SHEET 2 OF 2