

Amphenol PCD SZ
ORIGINAL
PDF Format
R&D

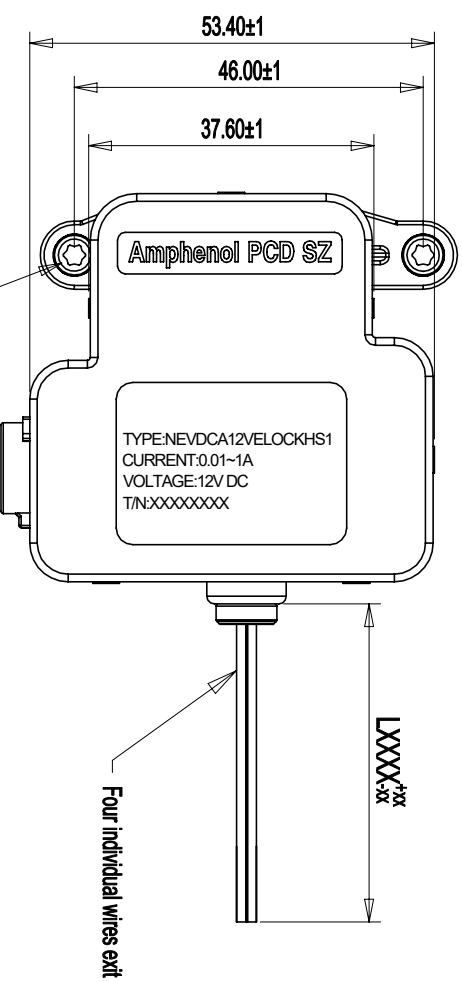
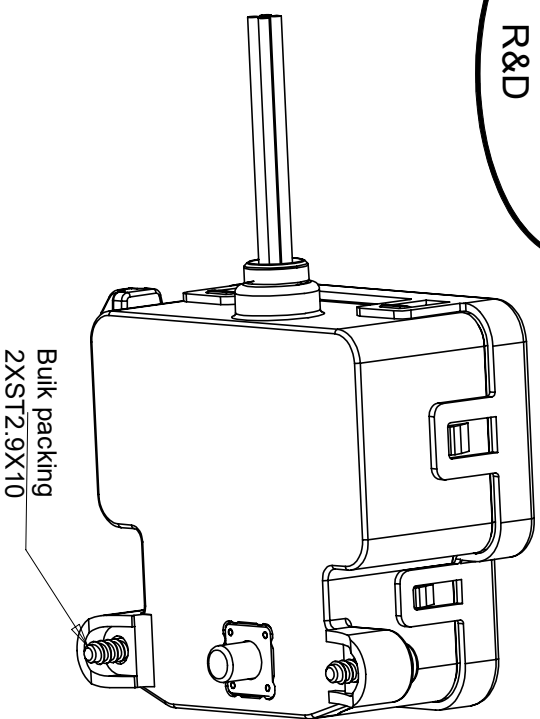
安费诺精密连接器(深圳)有限公司
Amphenol PCD Shenzhen

受控文件

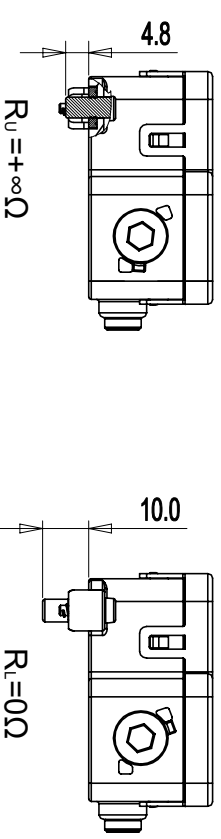
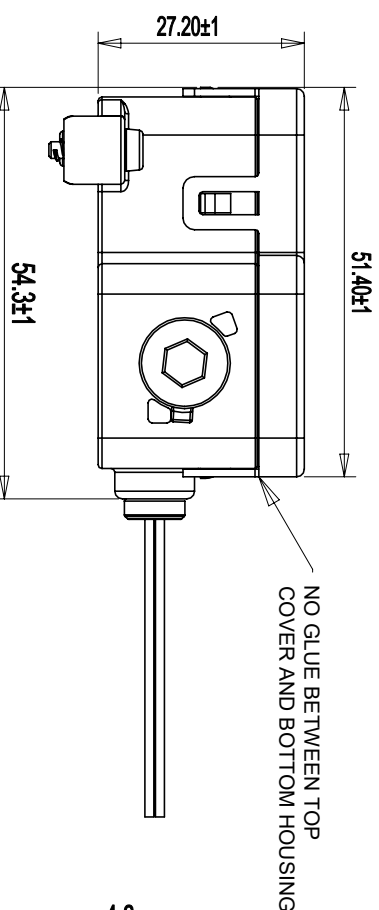
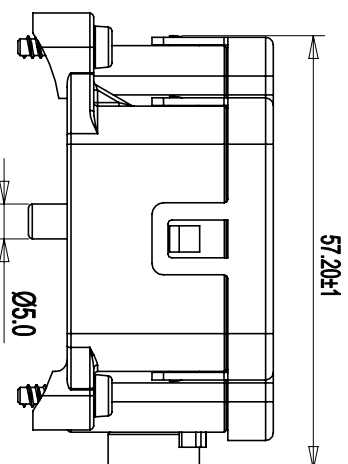
2023年6月25日

C-NEVDCA12VELOCKLXXXXHS1

| REV | ECN | DESCRIPTION | DATE | MODIFIED |
|-----|-----|-------------|------------|----------|
| 1 | | PRE-RELEASE | 2023.06.25 | A.Yu |



Recommended Mounting Torque:0.5N.m
2XST2.9X10



Suggested work time:>3000ms
 Max time:N/A
 Min time:400ms
 Suggested adjustment time:600ms
 Max time:1000ms
 Min time:450ms

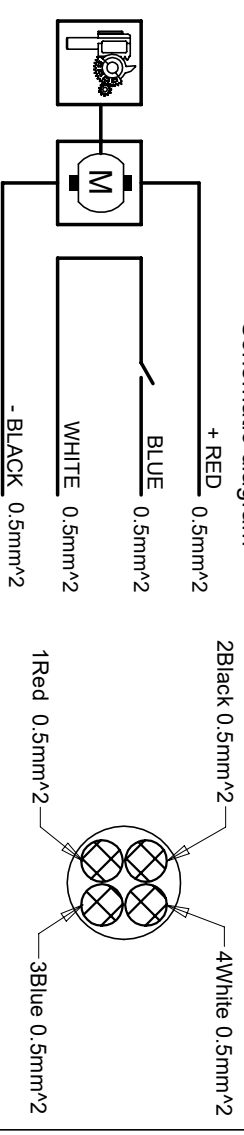
Contact switch is normally open
Unlock: +∞Ω
Lock: 0Ω

- 1.Voltage supply at motor: 12V
- 2.Possible Voltage supply at motor: 9V~12V
3. Typical motor current for locking: 200mA
4. Maximal motor current for locking: 1000mA
5. Maximal voltage for locking detection: 20V
6. Maximal dwell period with blocking current: 20V
7. Suggested adjustment time: 600ms
8. Durability (in load cycles) : >40000
9. Ambient temperature (in operation) : -40°C~+85°C
10. Ambient temperature (storage) : -40°C~+85°C
11. Length of the actuator cables: 500mm
12. Minimum bending radius: 30mm
13. Specification of the actuator cables: 4 X 0.5mm²
14. RoHS Compliance
15. NEVDCA12VELOCKLXXXXHS1

| TYPE | RED | BLACK | WHITE | BLUE |
|-----------|-----|-------|-----------------------------|------|
| UNLOCKING | + | - | SIGNAL(R _u =+∞Ω) | |
| LOCKING | - | + | SIGNAL(R _l =0Ω) | |

| DIMENSIONS | TOLERANCES | PROJECTION |
|--------------------------------------|-------------------------|----------------------|
| ANSI Y14.5M UNITS: MM CAD FILE | .X .XX ANGLES ±2° | ±0.5 ±0.05 ±2° |

| LENGTH | TOLERANCE |
|-------------|-----------|
| 0~1000mm | ±25 |
| 1001~5000mm | ±10 |
| >5000mm | ±40 |
| | ±50 |
| | ±20 |



Emergency unlocking of the 12V locking actuator

Schematic diagram

TITLE
DC_12V ELOCK SINGLE CORE WIRE

| ORIGINAL | PROPERTIES | APPROVALS |
|----------|---|--|
| ORIGINAL | THIS DOCUMENT CONTAINS PROPRIETARY INFORMATION, WHICH IS THE CONFIDENTIAL PROPERTY OF Amphenol PCD Shenzhen Co., Ltd. Amphenol PCD Shenzhen Co., Ltd. RESERVES THE RIGHT TO CLARIFY THIS DRAWING. | CHKD: Rock.chen ENGR: A.Yu APPD: Derek |

| SIZE | DWG. NO. | SCALE | SHEET | REV |
|------|--------------------------|-------|--------|-----|
| A3 | C-NEVDCA12VELOCKLXXXXHS1 | 1:1 | 1 OF 1 | 1 |

C-NEVDCA12VELOCKLXXXXHS1

C-NEVDCA12VELOCKLXXXXHS1