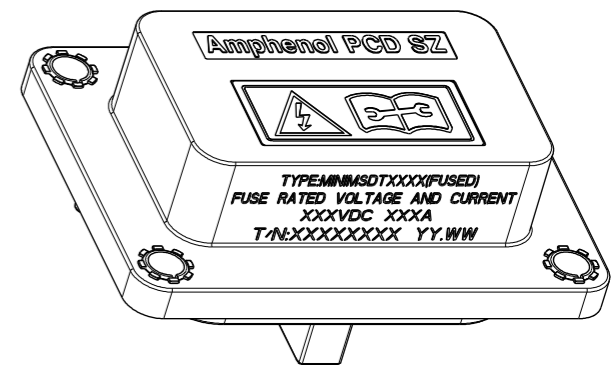
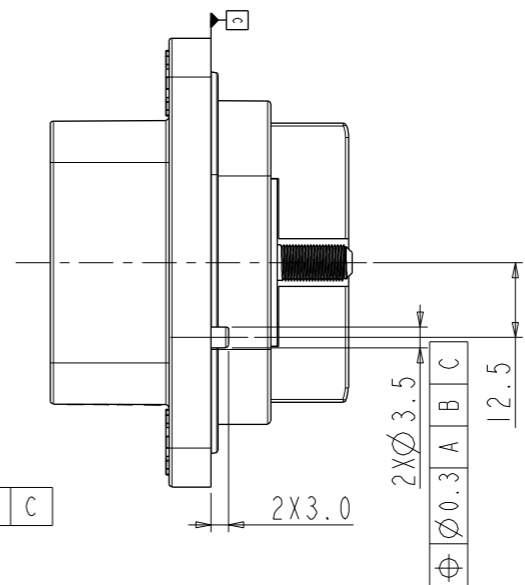
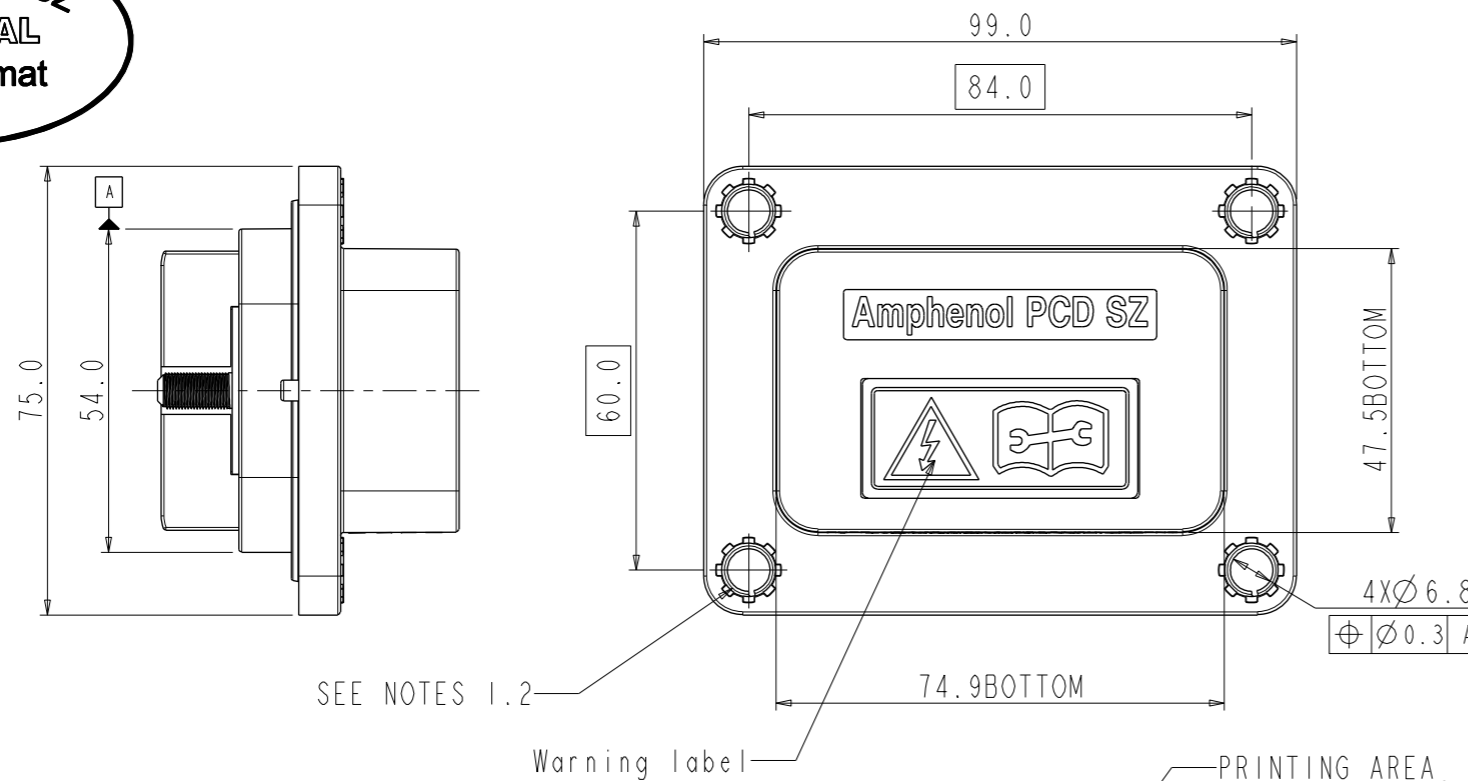


C-MINIMSDTXXXX

Amphenol PCDSZ
ORIGINAL
PDF Format
R&D

REV	ECN	DESCRIPTION	DATE	MODIFIED
1		PRE- RELEASE	Mar-01-22	
A	C6240	RELEASE	Aug-15-22	
B	C6900	FUSED ADDED TO THE PRINTED AREA	Apr-15-2023	



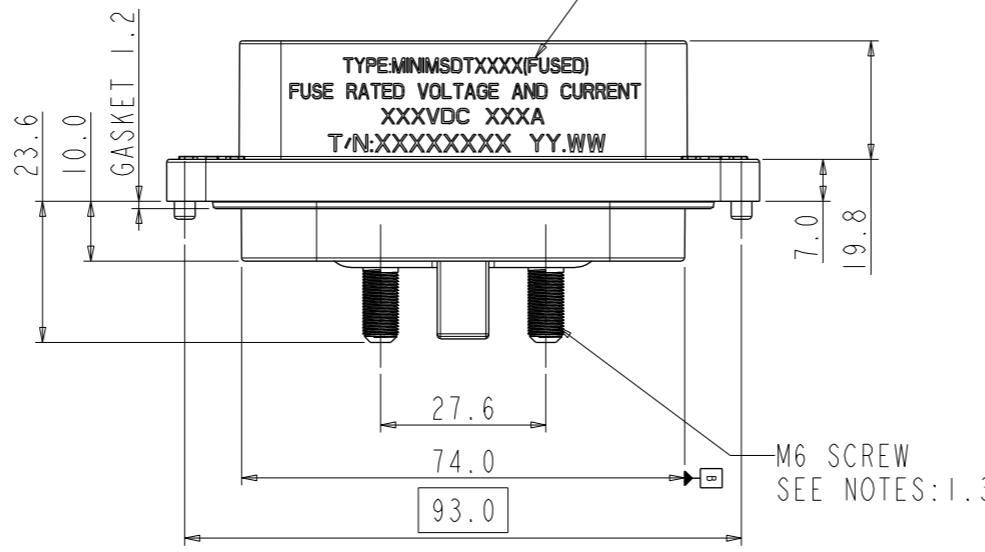
SEE NOTES 1.2

Warning label

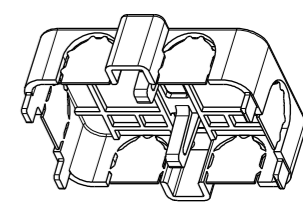
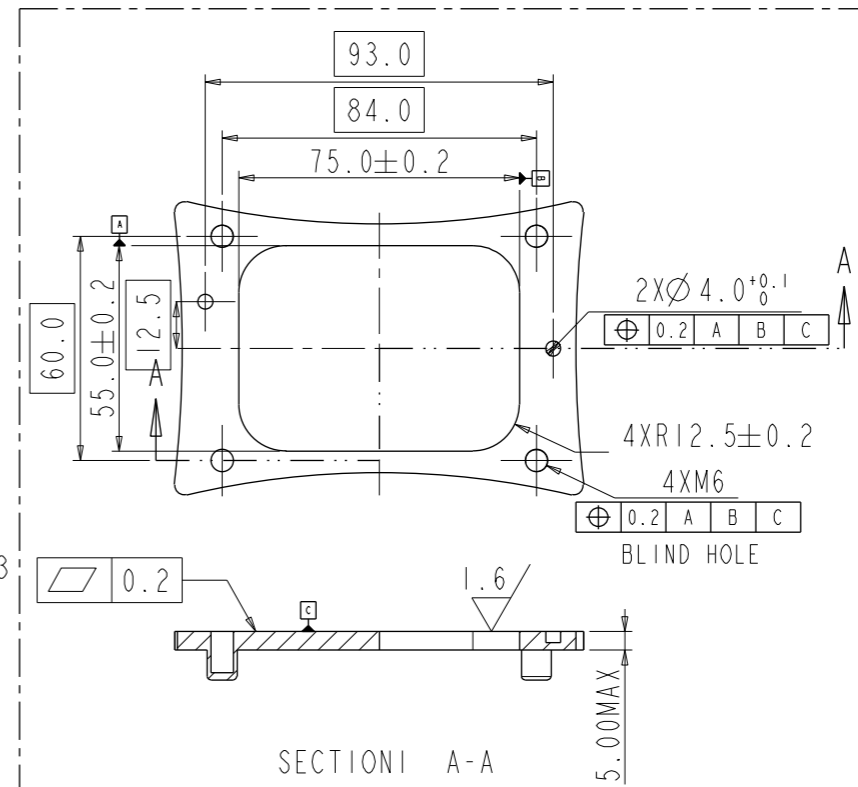
PRINTING AREA
SEE NOTES 2

SECTION 7:10

安费诺精密连接器(深圳)有限公司
Amphenol PCD Shenzhen
受控文件
2023年11月29日



M6 SCREW
SEE NOTES:1.3



P/N:C220006538
Protective cover
purchased separately

SECTION I A-A

SCALE 1:2

SCALE 1:2

- NOTES
- TECHNICAL SPECIFICATIONS (技术参数):
 - AMBIENT TEMPERATURE: -40°C ~ +70°C
 - RECOMMENDED M6 BOLT ; TORQUE: 5.3N.M
 - RECOMMENDED TORQUE: 5.3N.M
 - DRGREE OF PROTECTION: IP67
 - FUSE RATED VOLTAGE:
 - BUSSMANN: 700V DC (80-315A)/600V DC (350-400A)
 - SINOFUSE: 750V DC (100-350A)
 - MODEL SELECTION SPECIFICATION: 选型规格:
 - MINIMSDTXXXX(FUSED)

- 1-FUSE MANUFACTURER BUSSMANN
 - 2-FUSE MANUFACTURER SINOFUSE
- | | | |
|-----|-----|------|
| 080 | --- | 80A |
| 100 | --- | 100A |
| 125 | --- | 125A |
| 160 | --- | 160A |
| 200 | --- | 200A |
| 250 | --- | 250A |
| 315 | --- | 315A |
| 350 | --- | 350A |
| 400 | --- | 400A |

DIMENSIONS	TOLERANCES	PROJECTION	TITLE		
ANSI Y14.5M UNITS: MM Pro/E FILE	.X ±0.5 .XX ±0.05 ANGLES ±2°		MINI MSD BOX		
ORIGINAL	THIS DOCUMENT CONTAINS PROPRIETARY INFORMATION WHICH IS THE CONFIDENTIAL PROPERTY OF Amphenol PCD Shenzhen Co. Ltd Amphenol PCD Shenzhen Co. Ltd RESERVES THE RIGHT TO CLARIFY THIS DRAWING		ENGR	Mar-01-22	
			CHKD	APPD	SIZE A3
			SCALE: 4:5		SHEET 1 OF 1

C-MINIMSDTXXXX

C-MINIMSDTXXXX