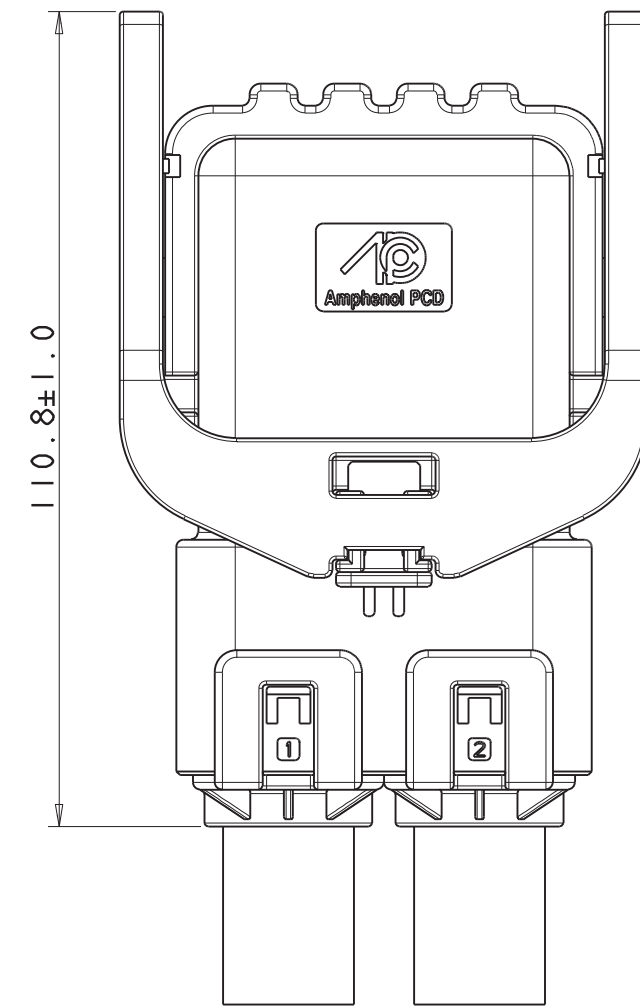
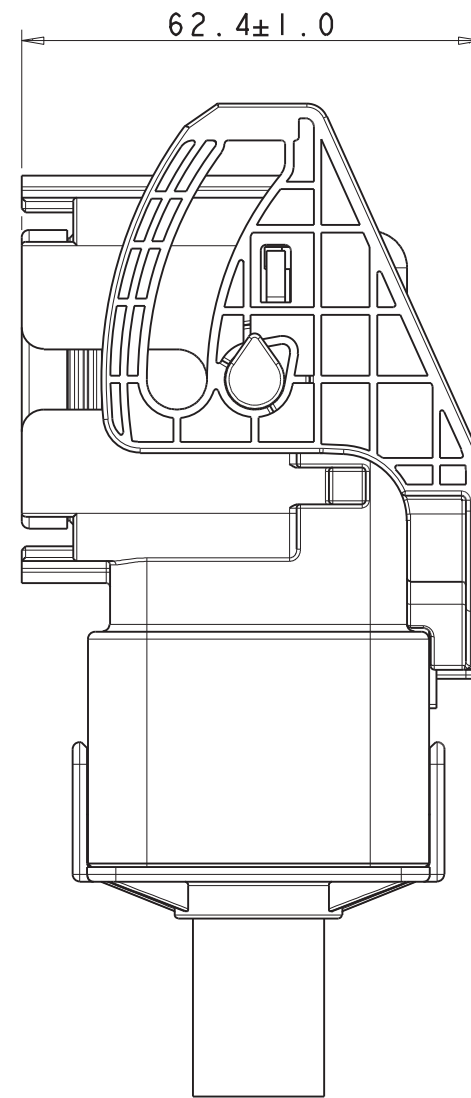
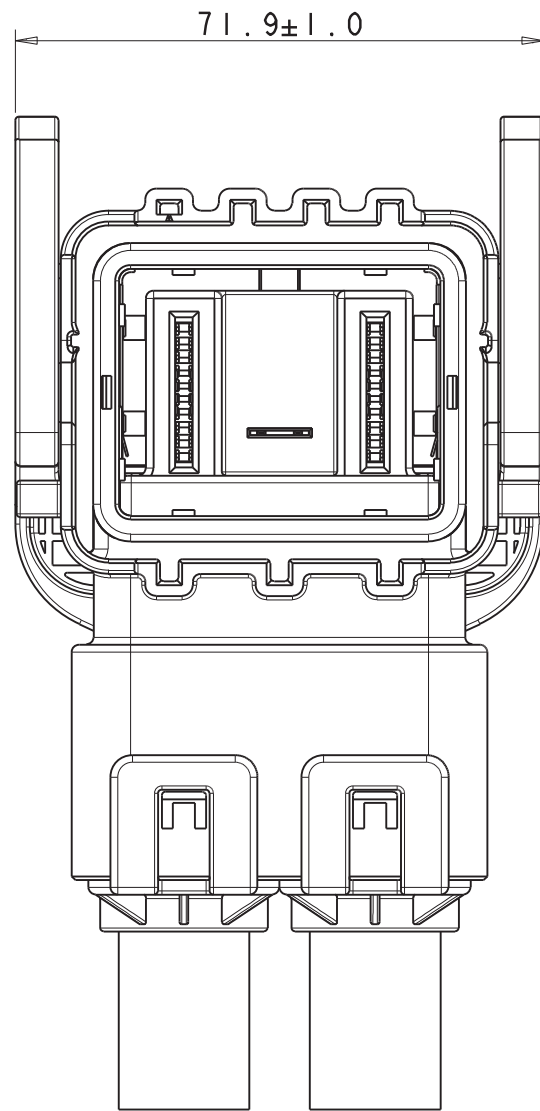


Amphenol PCDSZ  
ORIGINAL  
PDF Format  
R&D

REV	ECN	DESCRIPTION	DATE	MODIFIED
V0-1		PRE-RELEASE	Oct-13-22	



C-HVSLFB18082XXXX

C-HVSLFB18082XXXX

TECHNICAL DATA

CURRENT RATE 70MM <sup>2</sup> WIRE	270A
CURRENT RATE 50MM <sup>2</sup> WIRE	220A
CURRENT RATE 35MM <sup>2</sup> WIRE	180A
VOLTAGE RATE	1000V DC
OPERRATING TEMPERATURE	-40-125°C
DIELECTRIC WITHSTANDING VOLTAGE	3000V AC
INSULATION RESISTANCE	100MΩ
DURABILITY	50 CYCLES
SHIELDING	YES
WATERPROOF	IP67 IP6K9K
CORROSION-PROFF GRADE(SALT FOG TEST)	96 HOURS
AMBIENT TEMPERATURE	-40-50°C
70mm <sup>2</sup> CABLE SIZE(JACKET DIAMETER)	∅ 17.8±0.4
50mm <sup>2</sup> CABLE SIZE(JACKET DIAMETER)	∅ 15.5±0.3
35mm <sup>2</sup> CABLE SIZE(JACKET DIAMETER)	∅ 14.1±0.3

DIMENSIONS	TOLERANCES	PROJECTION	TITLE		
ANSI Y14.5M	.X ±0.1		Amphenol PCD Shenzhen		
UNITS: MM	.XX ±0.05		ENGR		
Pro/E FILE	ANGLES ±0.5		Oct-13-22		
ORIGINAL	THIS DOCUMENT CONTAINS PROPRIETARY INFORMATION WHICH IS THE CONFIDENTIAL PROPERTY OF Amphenol PCD Shenzhen Co. Ltd Amphenol PCD Shenzhen Co. Ltd RESERVES THE RIGHT TO CLARIFY THIS DRAWING		CHKD	PLUG_RA	
			APPD	SIZE <b>A3</b>	DWG NO. <b>C-HVSLFB18082XXXX</b>
				CODE: 58982	REV <b>V0-1</b>
				SCALE: 1:1	SHEET 1 OF 1