

REV	ECN	DESCRIPTION	DATE	MODIFIED
1		PRE-RELEASE	2021.07.15	
2	R6051W	Modify printing and add CE mark	2021.07.15	
3	R7246N	ADD 1.5mm ² AND 4mm ² SPECIFICATIONS	2023.07.08	

NOTES:
1. TECHNICAL PARAMETERS AS BELOW:
2. REFERENCE IEC 62196-2.

Ambient temperature	-30°C~+50°C	
Rated current	L1&N&PE: 20A PP&CP: 2A	A.C MAINS(L1) 2.5mm ² CABLE(BROWN) NO CONTACT & NO CABLE
Rated voltage	L1&N&PE: 250V AC PP&CP: 30V AC	A.C MAINS(L2) NO CONTACT & NO CABLE
Withstanding Voltage	PP&CP: 30V AC	A.C MAINS(L3) 2.5mm ² CABLE(BLUE)
Insulation resistance	>2000V AC	NEUTRAL(N) 2.5mm ² CABLE(YELLOW&GREEN)
Duration	>10,000 Cycles	EARTHING(GPE) 0.6mm ² CABLE(YELLOW&GREEN) CONTROL PILOT(IP) 0.6mm ² CABLE(RED)
IP-Class	IP55(Male)	CONTROL PILOT(IP)
Flammability	UL-94V0	CONTROL PILOT(CP)
RoHS	RoHS	
Cable OD	10.2+/-0.35mm	
DESCRIPTION	PARAMETER	SYMBOL

HVCOIMBSR6PS02L0000

Ambient temperature	-30°C~+50°C	
Rated current	L1&N&PE: 32A PP&CP: 2A	A.C MAINS(L1) 6mm ² CABLE(BROWN) NO CONTACT & NO CABLE
Rated voltage	L1&N&PE: 250V AC PP&CP: 30V AC	A.C MAINS(L2) NO CONTACT & NO CABLE
Withstanding Voltage	PP&CP: 30V AC	A.C MAINS(L3) 6mm ² CABLE(BLUE)
Insulation resistance	>2000V AC	NEUTRAL(N) 6mm ² CABLE(YELLOW&GREEN)
Duration	>10,000 Cycles	EARTHING(GPE) 0.6mm ² CABLE(YELLOW&GREEN) CONTROL PILOT(IP) 0.6mm ² CABLE(RED)
IP-Class	IP55(Male)	CONTROL PILOT(IP)
Flammability	UL-94V0	CONTROL PILOT(CP)
RoHS	RoHS	
Cable OD	12.8+/-0.4mm	
DESCRIPTION	PARAMETER	SYMBOL

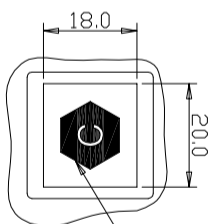
HVCOIMBSR6PF506L0000

Ambient temperature	-30°C~+50°C	
Rated current	L1&L2&L3&N&PE: 20A PP&CP: 2A	A.C MAINS(L1) 2.5mm ² CABLE(BROWN) A.C MAINS(L2) 2.5mm ² CABLE(BLACK) A.C MAINS(L3) 2.5mm ² CABLE(GRAY)
Rated voltage	L1&L2&L3&N&PE: 48V AC PP&CP: 30V AC	A.C MAINS(L2) 2.5mm ² CABLE(BLUE)
Withstanding Voltage	PP&CP: 30V AC	NEUTRAL(N) 2.5mm ² CABLE(YELLOW&GREEN)
Insulation resistance	>2000V AC	EARTHING(GPE) 0.6mm ² CABLE(YELLOW&GREEN) CONTROL PILOT(IP) 0.6mm ² CABLE(RED)
Duration	>10,000 Cycles	CONTROL PILOT(IP)
IP-Class	IP55(Male)	CONTROL PILOT(CP)
Flammability	UL-94V0	
RoHS	RoHS	
Cable OD	12.8+/-0.4mm	
DESCRIPTION	PARAMETER	SYMBOL

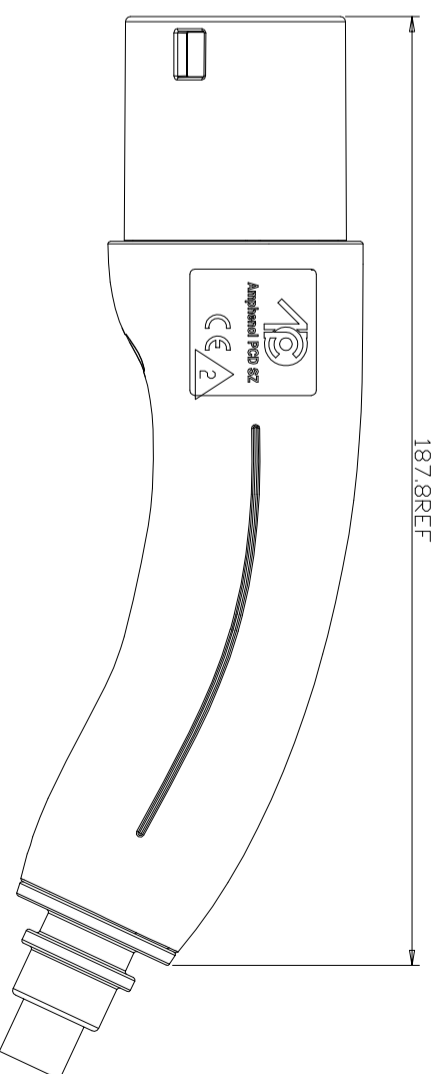
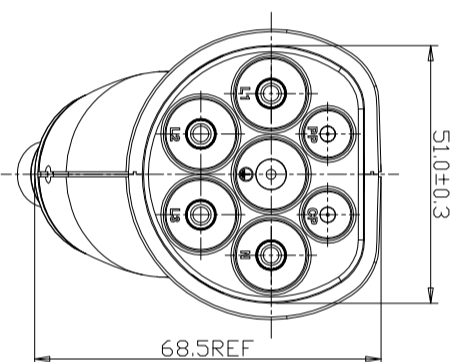
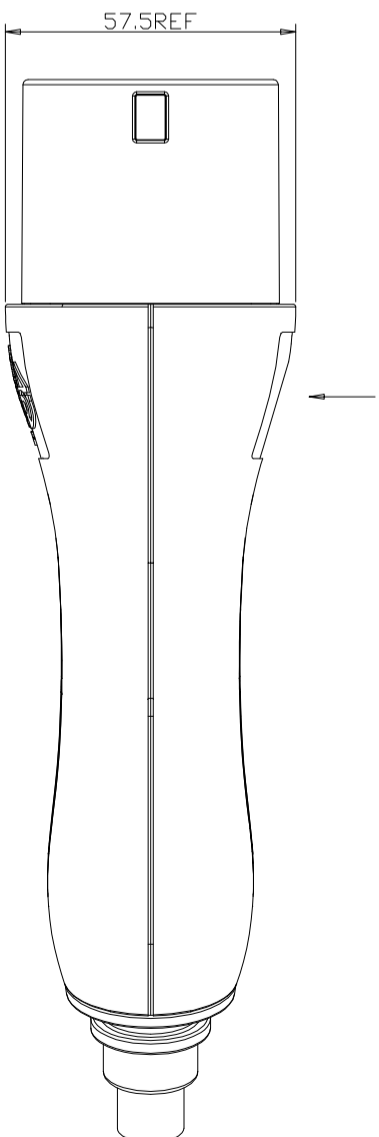
HVCOIMBSR6PS702L0000

Ambient temperature	-30°C~+50°C	
Rated current	L1&L2&L3&N&PE: 32A PP&CP: 2A	A.C MAINS(L1) 6mm ² CABLE(BROWN) A.C MAINS(L2) 6mm ² CABLE(BLACK) A.C MAINS(L3) 6mm ² CABLE(GRAY)
Rated voltage	L1&L2&L3&N&PE: 48V AC PP&CP: 30V AC	A.C MAINS(L2) 6mm ² CABLE(BLUE)
Withstanding Voltage	PP&CP: 30V AC	NEUTRAL(N) 6mm ² CABLE(YELLOW&GREEN)
Insulation resistance	>2000V AC	EARTHING(GPE) 0.6mm ² CABLE(YELLOW&GREEN) CONTROL PILOT(IP) 0.6mm ² CABLE(RED)
Duration	>10,000 Cycles	CONTROL PILOT(IP)
IP-Class	IP55(Male)	CONTROL PILOT(CP)
Flammability	UL-94V0	
RoHS	RoHS	
Cable OD	16.1+/-0.4mm	
DESCRIPTION	PARAMETER	SYMBOL

HVCOIMBSR6PF706L0000



This mark is changed from mold forming to laser printing



DIMENSIONS
ANSI Y14.5M
UNITS: MM
PROJ FILE

TOLERANCES
.X ±0.5
.XX ±0.05
ANGLES ±0.2°



Amphenol PCD Shenzhen

CHKD
ENGR
2021.07.15

TITLE

IEC EV PLUG

ORIGINAL
THIS DOCUMENT CONTAINS
PROPRIETARY INFORMATION WHICH
IS THE CONFIDENTIAL PROPERTY
OF Amphenol PCD Shenzhen Co. Ltd
Amphenol PCD Shenzhen Co. Ltd RESERVES
THE RIGHT TO CLARIFY THIS DRAWING

APPD

SIZE
A3
C-HVCOIMBSR6PXXXXLXXXX

SCALE: 1:1

SHEET 1 OF 2

REV
3

NOTES:
1. TECHNICAL PARAMETERS AS BELOW:
2. REFERENCE IEC 62196-2.

Ambient temperature	-30°C~+50°C	
Rated current	L1&N&PE: 20A PP&CP: 2A	+
Rated voltage	L1&N&PE: 250V AC PP&CP: 30V AC	+
Withstanding Voltage	>2000V AC	+
Insulation resistance	>100MΩ	+
Duration	>10,000 Cycles	⊕
IP-Class	IP55(Male)	
Flammability	UL-94V0	
RoHS	RoHS	+
Cable OD	9.8±0.3mm	△
DESCRIPTION	PARAMETER	SYMBOL

△HVCOIMBSR6PS01L0000

Ambient temperature	-30°C~+50°C	
Rated current	L1&N&PE: 32A PP&CP: 2A	+
Rated voltage	L1&N&PE: 250V AC PP&CP: 30V AC	+
Withstanding Voltage	>2000V AC	+
Insulation resistance	>100MΩ	+
Duration	>10,000 Cycles	⊕
IP-Class	IP55(Male)	
Flammability	UL-94V0	
RoHS	RoHS	+
Cable OD	11.5±0.4mm	△
DESCRIPTION	PARAMETER	SYMBOL

△HVCOIMBSR6PF04L0000

Ambient temperature	-30°C~+50°C	
Rated current	L1&L2&L3&N&PE: 20A PP&CP: 2A	+
Rated voltage	L1&L2&L3&N&PE: 48V AC PP&CP: 30V AC	+
Withstanding Voltage	>2000V AC	+
Insulation resistance	>100MΩ	+
Duration	>10,000 Cycles	⊕
IP-Class	IP55(Male)	
Flammability	UL-94V0	
RoHS	RoHS	+
Cable OD	11.5±0.4mm	△
DESCRIPTION	PARAMETER	SYMBOL

△HVCOIMBSR6PS701L0000

Ambient temperature	-30°C~+50°C	
Rated current	L1&L2&L3&N&PE: 32A PP&CP: 2A	+
Rated voltage	L1&L2&L3&N&PE: 48V AC PP&CP: 30V AC	+
Withstanding Voltage	>2000V AC	+
Insulation resistance	>100MΩ	+
Duration	>10,000 Cycles	⊕
IP-Class	IP55(Male)	
Flammability	UL-94V0	
RoHS	RoHS	+
Cable OD	14.2±0.3mm	△
DESCRIPTION	PARAMETER	SYMBOL

△HVCOIMBSR6PF704L0000

