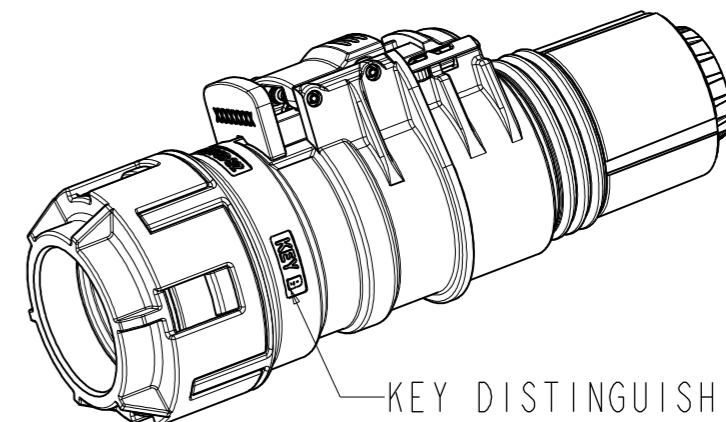
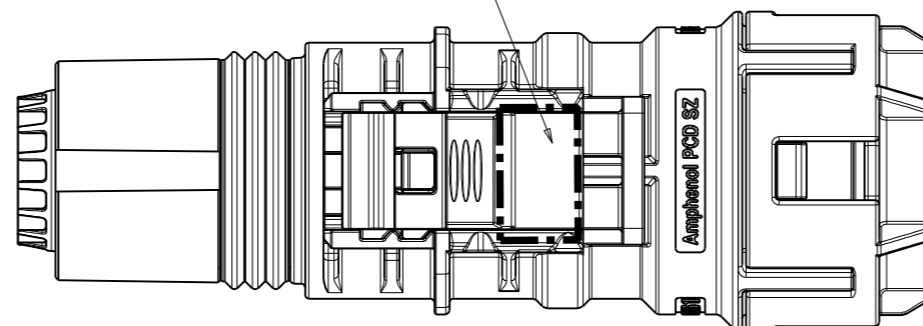


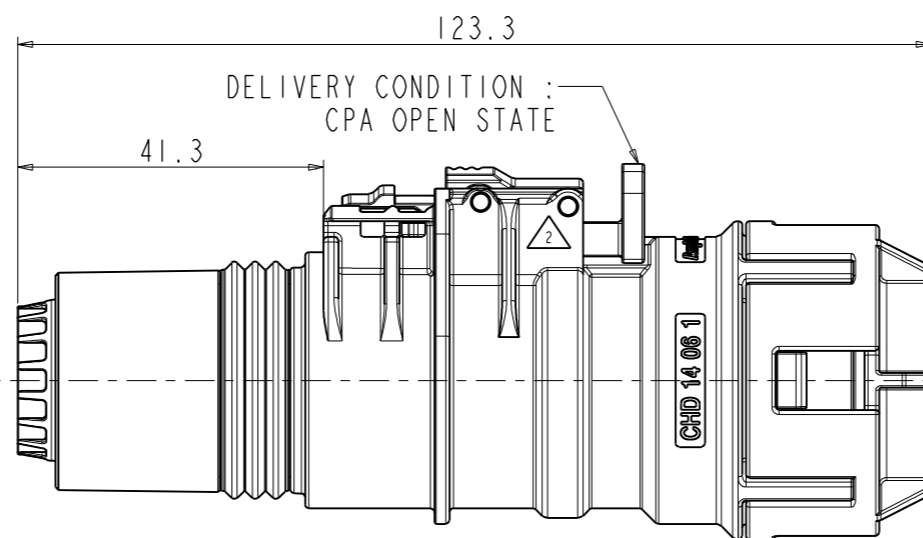
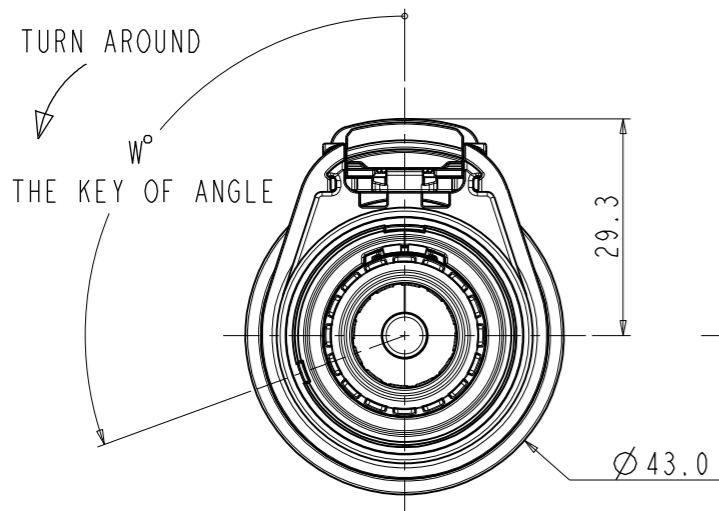
Amphenol PCDSZ
ORIGINAL
PDF Format
R&D

KEY X	ANGLE W°	COLOR
KEY A	110	RED
KEY B	145	BLACK
KEY C	180	YELLOW
KEY D	215	GREEN
KEY E	250	BLUE

COLOR RECOGNITION AREA



KEY DISTINGUISHING MARK



TECHNICAL DATA		
CURRENT RATE (150MM ² SHIELD CABLE)	500A @ AMBIENT 70	+
CURRENT RATE (120MM ² SHIELD CABLE)	430A @ AMBIENT 70	+
CURRENT RATE (95MM ² SHIELD CABLE)	350A @ AMBIENT 70	+
RATING VOLTAGE (OVERVOLTAGE CATEGORY II POLLUTION DEGREE 2)	1500V DC	+
OPERATING TEMPERATURE	-40~125°C	
DIELECTRIC WITHSTANDING VOLTAGE	4000V AC(RMS)	+
INSULATION RESISTANCE	200MΩ MIN. @25	+
DURABILITY	50 CYCLES	◎
SHIELDING	YES	
WATERPROOF (MATED CONDITION)	IP67, IP6K9K	+
PROTECTION LEVEL (UNMATED)	IP2XB	+
AMBIENT TEMPERATURE	-40~70°C	
RoHS&REACH	YES	+

NOTES:

1. MATERIAL & FINISH:

BODY: ALUMINUM ALLOY, NEUTRAL SALT SPRAY MEETS 500H.
POWER CONTACT: COPPER ALLOY SILVER PLATED
HVIL CONTACTS: COPPER ALLOY SILVER PLATED
SEAL RING: SR

2. PART NUMBERING SCHEME:

CHD 14 06 1 X X XX

A: CODING A
B: CODING B
C: CODING C
D: CODING D
E: CODING E

0: WITHOUT HVIL
1: WITH HVIL

01: CROSS-SECTION 150mm²
WIRE OD=24.9±0.5mm
02: CROSS-SECTION 120mm²
WIRE OD=22.6±0.4mm
03: CROSS-SECTION 95mm²
WIRE OD=20.5±0.4mm

+: CRITICAL CHARACTERISTICS / 关键特性

◎: IMPORTANT CHARACTERISTICS / 重要特性

DIMENSIONS	TOLERANCES	PROJECTION	TITLE
ANSI Y14.5M UNITS: MM Pro/E FILE	.X ±0.5 .XX ±0.05 ANGLES ±2°		CHD 14 06 1 X X XX PLUG ASSEMBLY
ORIGINAL	THIS DOCUMENT CONTAINS PROPRIETARY INFORMATION WHICH IS THE CONFIDENTIAL PROPERTY OF Amphenol PCD Shenzhen Co. Ltd Amphenol PCD Shenzhen Co. Ltd RESERVES THE RIGHT TO CLARIFY THIS DRAWING		ENGR
		CHKD	SIZE A3
		APPD	DWG NO. C-CHD14061XXXX
			REV 2
			CODE: 58982
			SCALE: 1:5
			SHEET 1 OF 2

C-CHD14061XXXX

C-CHD14061XXXX

4. ASSEMBLY AND DETAIL BOM LIST SHOW

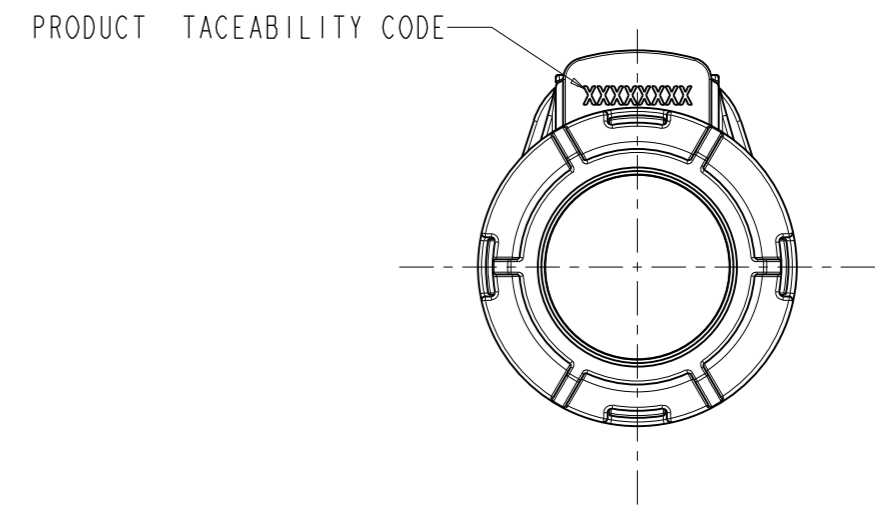
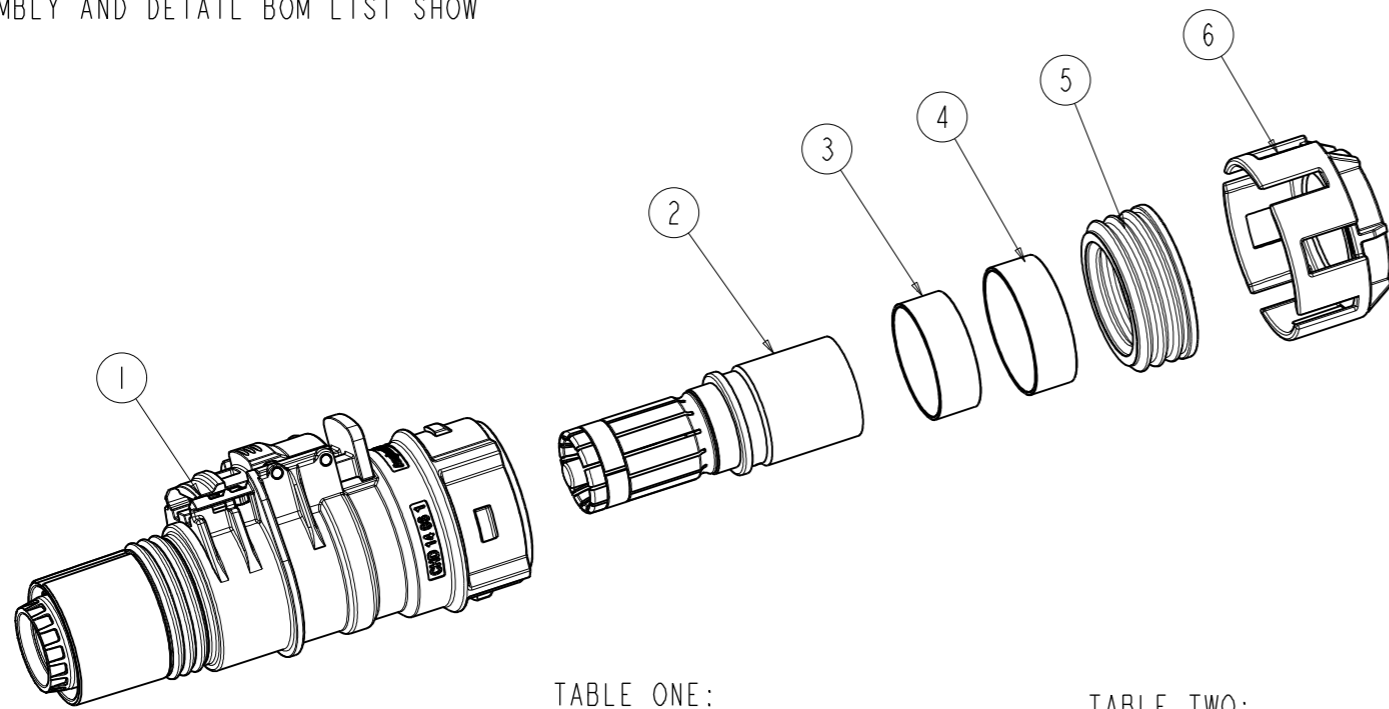


TABLE ONE:

MAIN BODY P/N	KEY X
P02B00012701	KEY A
P02B00012702	KEY B
P02B00012703	KEY C
P02B00012704	KEY D
P02B00012705	KEY E

TABLE TWO:

POWER PIN P/N	CABLE SPECIFICATIONS
P02B000132	150mm ²
P02B000131	120mm ²
P02B000130	95mm ²

TABLE THREE:

MAIN BODY P/N	KEY X
P02B00012801	KEY A
P02B00012802	KEY B
P02B00012803	KEY C
P02B00012804	KEY D
P02B00012805	KEY E

C-CHD14061XXXX

C-CHD14061XXXX

ASSEMBLY P/N	ITEM	COMPONENT P/N	CABLE SIZE	DESCRIPTION	Q'TY
CHD14061 X I XX	6	P01BP0039303	95mm ²	END CAP	1
		P01BP0039302	120mm ²	END CAP	1
		P01BP0039301	150mm ²	END CAP	1
	5	P01BR00343	95mm ²	CABLE SEALING	1
		P01BR00344	120mm ²	CABLE SEALING	1
		P01BR00345	150mm ²	CABLE SEALING	1
	4	P01BM00997	95mm ²	OUTER SHIELD RING	1
		P01BM00995	120mm ²	OUTER SHIELD RING	1
		P01BM00984	150mm ²	OUTER SHIELD RING	1
	3	P01BM00998	95mm ²	INNER SHIELD RING	1
		P01BM00996	120mm ²	INNER SHIELD RING	1
		P01BM00957	150mm ²	INNER SHIELD RING	1
		2	TABLE TWO	N/A	POWER PIN ASSEMBLY
	1	TABLE ONE	N/A	MAIN BODY & WITH HIVL	1

ASSEMBLY P/N	ITEM	COMPONENT P/N	CABLE SIZE	DESCRIPTION	Q'TY
CHD14061 X 0 XX	6	P01BP0039303	95mm ²	END CAP	1
		P01BP0039302	120mm ²	END CAP	1
		P01BP0039301	150mm ²	END CAP	1
	5	P01BR00343	95mm ²	CABLE SEALING	1
		P01BR00344	120mm ²	CABLE SEALING	1
		P01BR00345	150mm ²	CABLE SEALING	1
	4	P01BM00997	95mm ²	OUTER SHIELD RING	1
		P01BM00995	120mm ²	OUTER SHIELD RING	1
		P01BM00984	150mm ²	OUTER SHIELD RING	1
	3	P01BM00998	95mm ²	INNER SHIELD RING	1
		P01BM00996	120mm ²	INNER SHIELD RING	1
		P01BM00957	150mm ²	INNER SHIELD RING	1
		2	TABLE TWO	N/A	POWER PIN ASSEMBLY
	1	TABLE THREE	N/A	MAIN BODY & WITHOUT HIVL	1