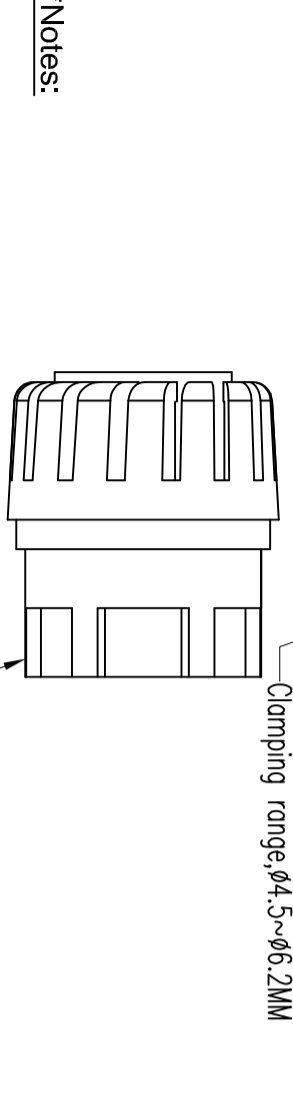
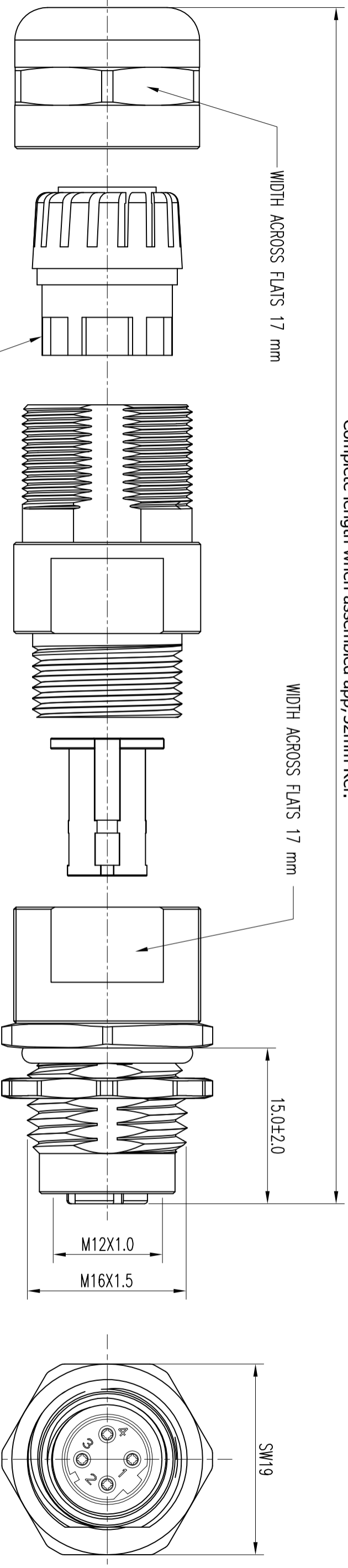


Complete length when assembled app, 52mm Ref.

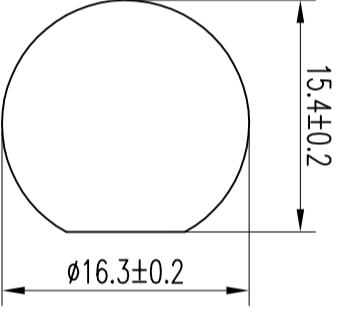


***Notes:**

Material \ Finish (材质/电镀)
Shells : Zinc alloy / Nickel Plating
外壳: 锌合金/镀镍
Insert : Plastic, Black, EN45545
胶芯: 塑料, 黑色, EN45545
Contact : Copper Alloy / Gold Plated / Crimp Type
插针: 铜合金/镀金/压接式
Sealing : Rubber, Black, EN45545
密封环: 橡胶, 黑色, EN45545

Mechanical data (机械参数):
Operating Temperature (工作温度): -25°C ~ +85°C
IP-Class (防护等级): IP67
Durability(插拔次数): 100 cycles

Electrical data (电气参数):
Rated Voltage(额定工作电压): 250V r.m.s
Rated current (额定电流): 4.0A Max
Insulation Resistance(绝缘电阻): 100 MΩ Min
Contact Resistance(端子接触电阻): 3.0 mΩ Max
Approximate weight: 39.5g△



Panel cut out

DIMENSIONS	ANSI Y14.5M	TOLERANCES	PROJECTION
	UNITS: MM		
ORIGINAL NOT FOR CUSTOMER DISTRIBUTION	CAD FILE	X	± 0.5
		.XX	±0.2
		ANGLES	±0.5°

Amphenol Pcd Shenzhen	CHKD	THIS DOCUMENT CONTAINS PROPRIETARY INFORMATION WHICH IS THE CONFIDENTIAL PROPERTY OF AMPHENOL PCD SHENZHEN
	ENGR	
	APPD	

Cable φ	Part number	Cable spec.	AWG	Crimping tool
4.5~8.0	P01DM002501	0.08~0.20mm2	28~24	M22520/2-01
	P01DM002502	0.13~0.32mm2	26~22	
	P01DM002503	0.20~0.52mm2	24~20	

Corresponding contact , need to be purchased separately

TITLE		M12 Receptacle male D-Coded 4 POS	REV
SIZE	DWG NO.		
A3	AS-M12-D04-F-SC-D-M-LC		2
CODE:	SCALE	SHEET	
	3:1	1 OF 1	