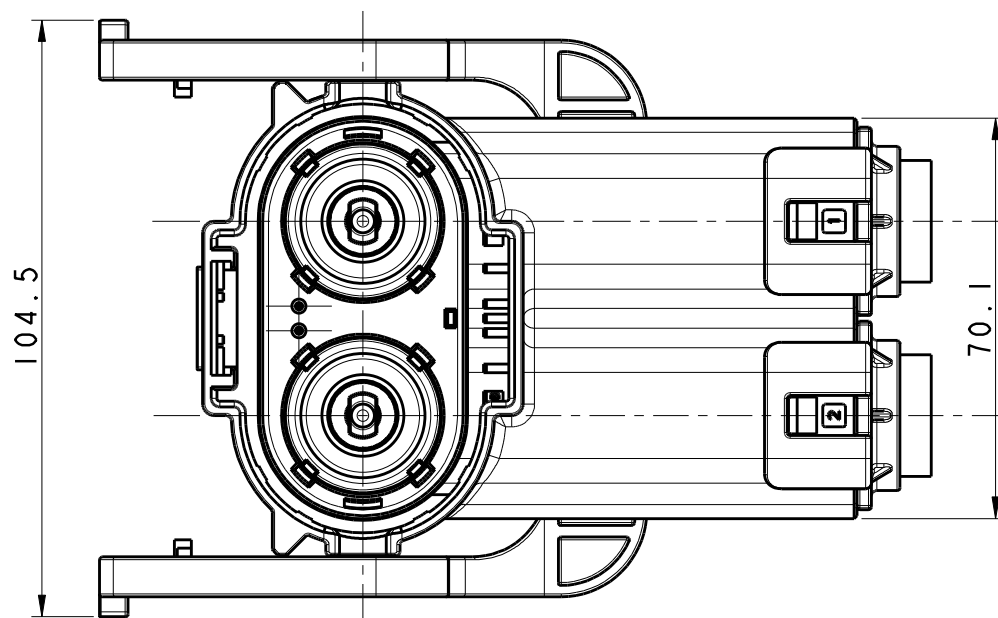
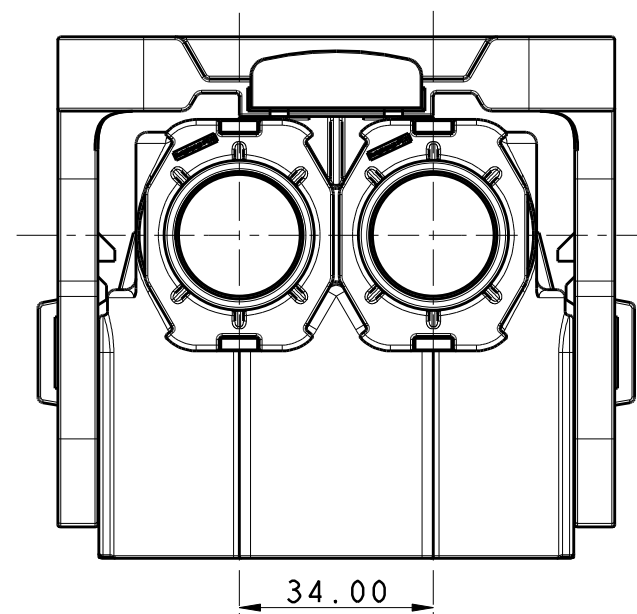
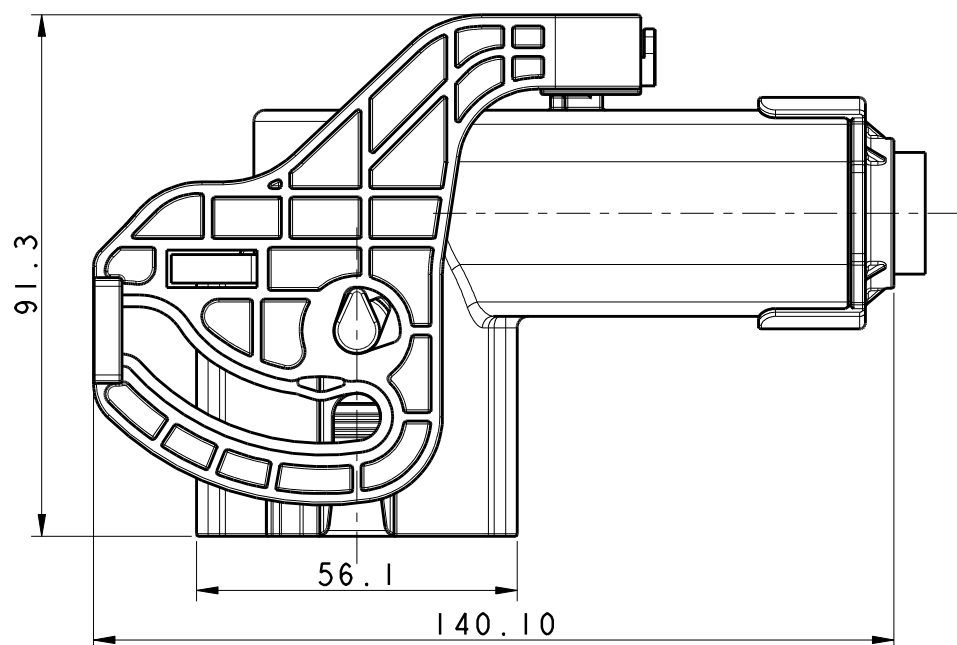


Amphenol PCDSZ
ORIGINAL
PDF Format
R&D



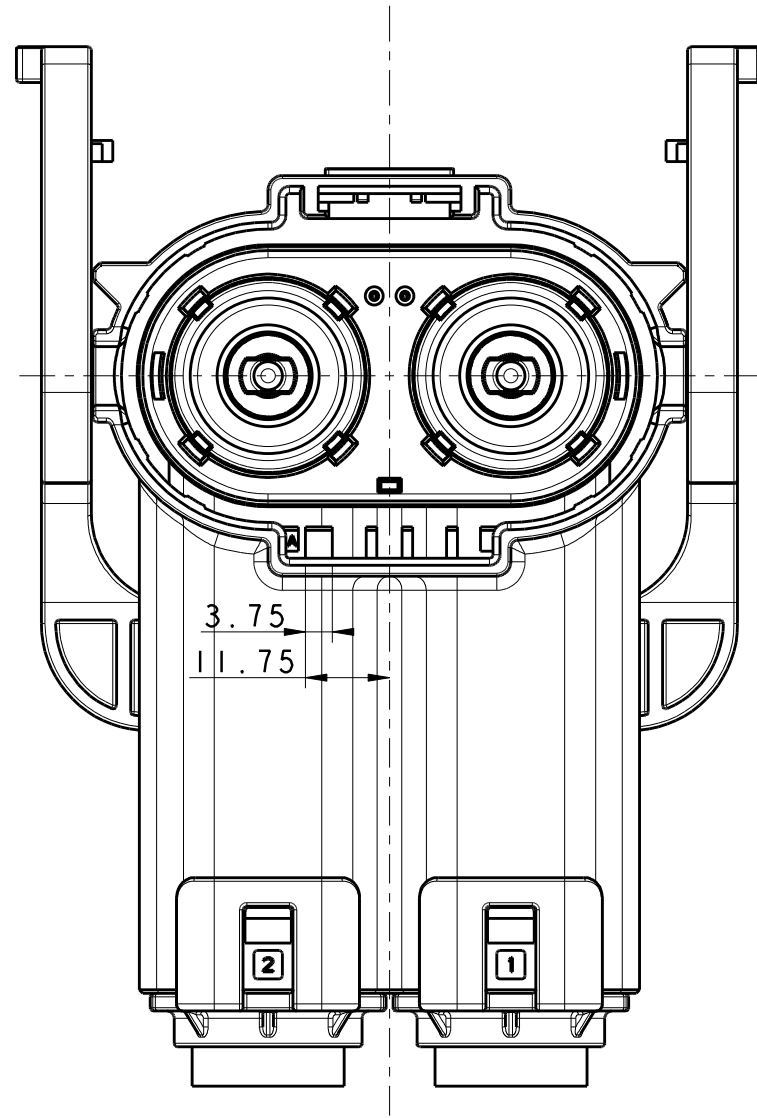
TECHNICAL DATA		
CURRENT RATE 95MM ² WIRE	350A	+
CURRENT RATE 70MM ² WIRE	250A	+
VOLTAGE RATE	1000V DC	+
OPERRATING TEMPERATURE	-40-125°C	⊙
DIELECTRIC WITHSTANDING VOLTAGE	3000V AC	+
INSULATION RESISTANCE	2000M Ω	+
DURABILITY	50 CYCLES	⊙
SHIELDING	YES	⊙
WATERPROOF	IP67 IP6K9K	+
CORROSION-PROFF GRADE(SALT FOG TEST)	96 HOURS	⊙
AMBIENT TEMPERATURE	-40-70°C	⊙
95mm ² CABLE SIZE(JACKET DIAMETER)	$\phi 21.3 \pm 0.6$	⊙
70mm ² CABLE SIZE(JACKET DIAMETER)	$\phi 18.7 \pm 0.5$	⊙
M10 THREAD TORQUE(MAX)	10N.M	⊙



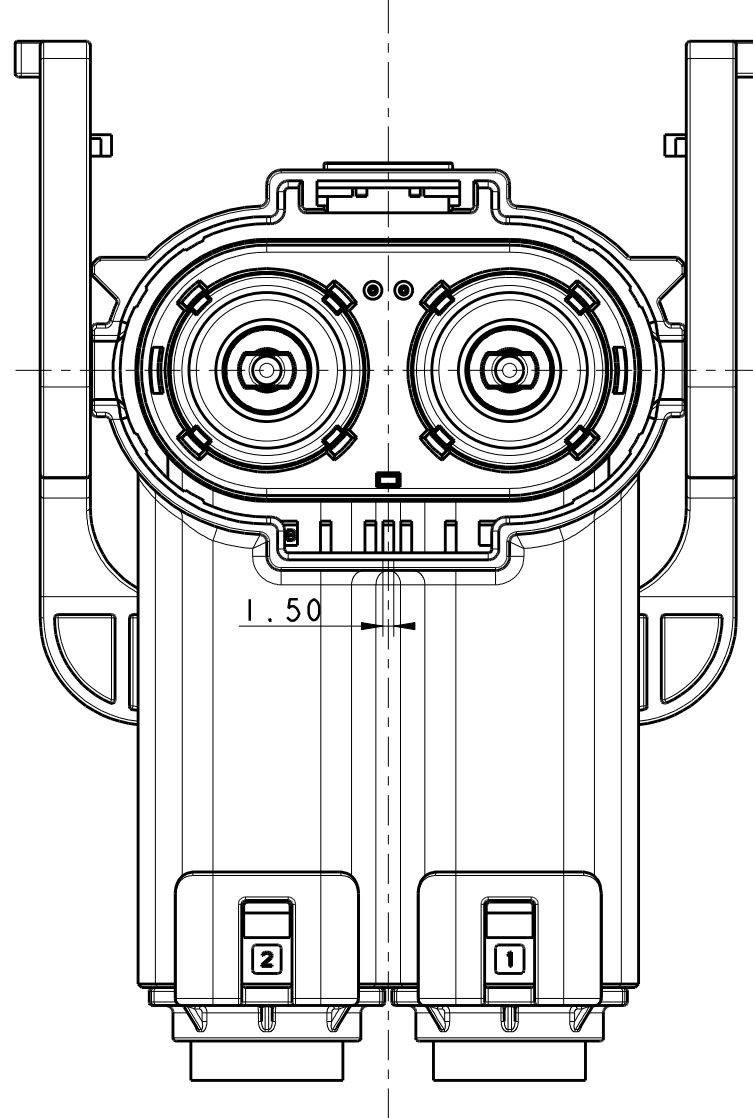
HVSL1200 08 2 X 1 XX

95	95mm ² Cable
70	70mm ² Cable
A	A Key
B	B Key
C	C Key

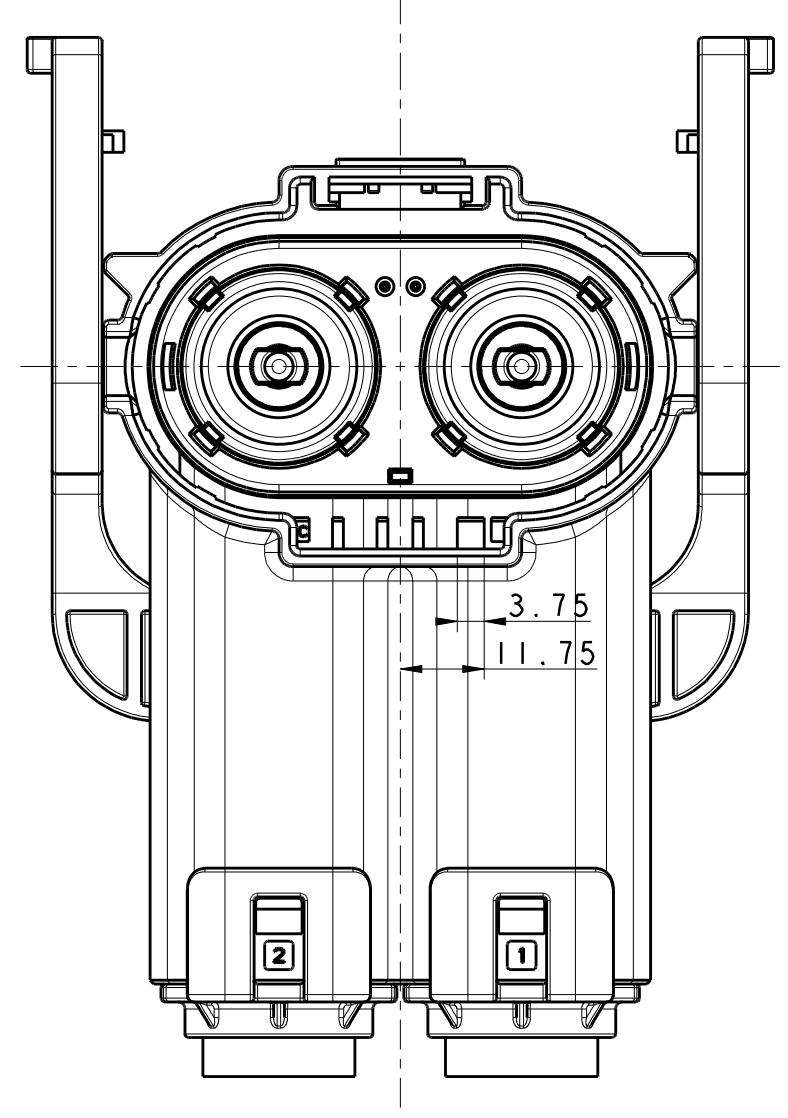
DIMENSIONS ANSI Y14.5M UNITS: MM Pro/E FILE	TOLERANCES .X ± 0.5 .XX ± 0.30 ANGLES $\pm 2^\circ$	PROJECTION 	TITLE HVSL1200082X1XX		
			ORIGINAL	THIS DOCUMENT CONTAINS PROPRIETARY INFORMATION WHICH IS THE CONFIDENTIAL PROPERTY OF AMPHENOL PCD SHENZHEN	ENGR CHKD APPD
			CODE: 58982	SCALE: 4:5	SHEET 1 OF 2



HVSL1200082A1XX



HVSL1200082B1XX



HVSL1200082C1XX

SIZE	DWG NO.	REV
A3	C-HVSL1200082X1XX	2
CODE: 58982	SCALE: 4:5	SHEET 2 OF 2