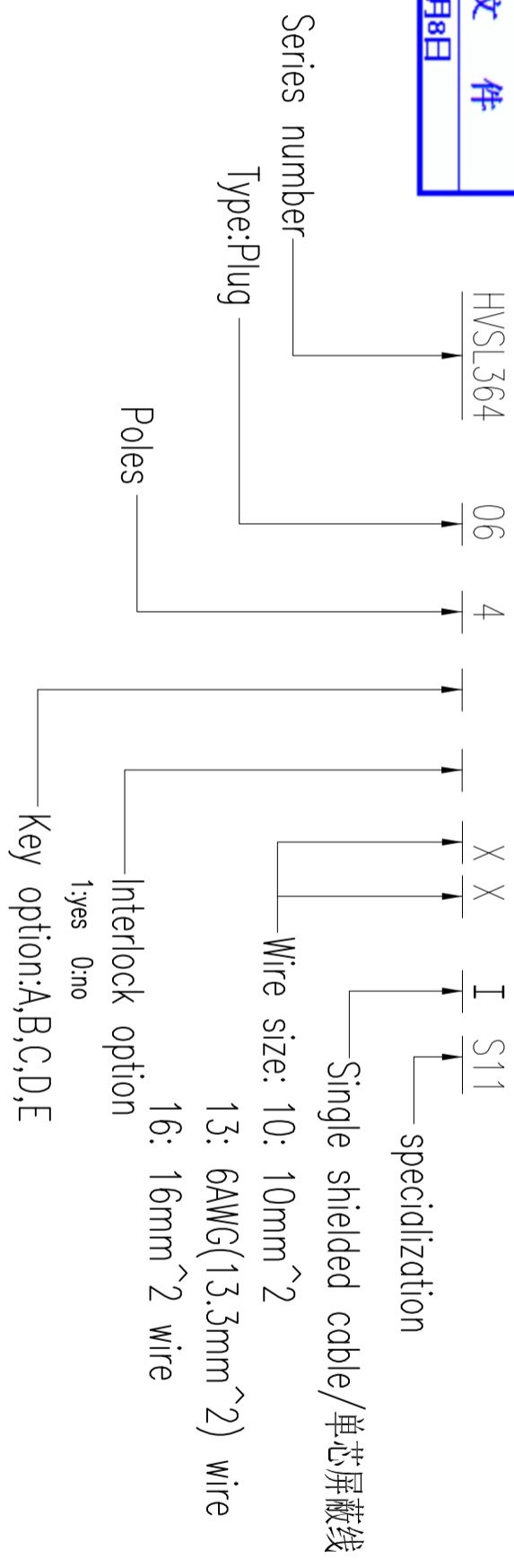


安费诺精密连接器(深圳)有限公司  
Amphenol PCD Shenzhen  
受控文件  
2021年6月8日

C-HVSL364064XXXXIS11

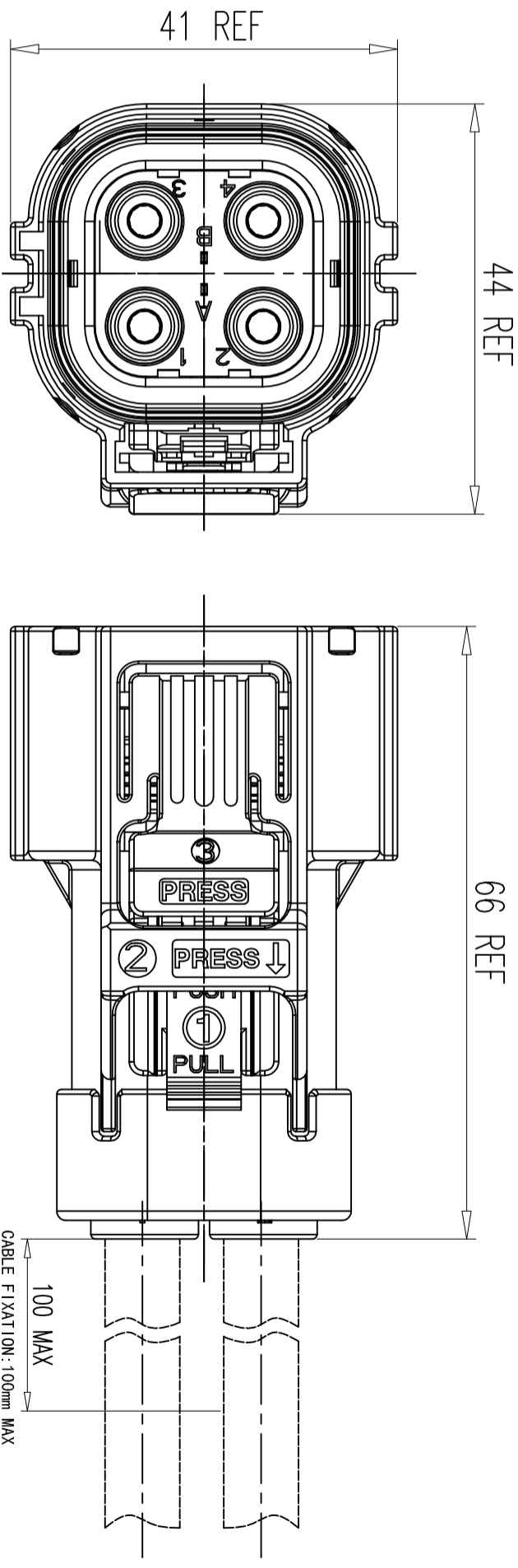
PART NUMBERING SCHEME



APPLICATION: POLLUTION DEGREE 2  
OVERVOLTAGE CATEGORY II  
INHOMOGENEOUS FIELD  
ALTITUDE NO MORE THAN 2000M

★ IS CRITICAL CHARACTERISTIC SYMBOL  
◎ IS IMPORTANT CHARACTERISTIC SYMBOL

TECHNICAL DATA		SPECIAL CHARACTERISTICS SYMBOL
VOLTAGE RATING	1000V AC&DC	★
WITHSTAND VOLTAGE	3000V AC	★
INSULATION RESISTANCE	DC 1000V > 200MΩ	★
CURRENT RATING	SIGNAL CONTACT 5A(0.35-0.5mm <sup>2</sup> ) POWER CONTACT 60A (10mm <sup>2</sup> ) 80A (16mm <sup>2</sup> ) (6AWG/13.3mm <sup>2</sup> )	★
WATER PROOF (MATED CONDITION)	IP67	★
IP FOR FINGER TOUCH (UNMATED CONDITION)	IP2XB	★
SHIELDING FUNCTION	YES	NA
MAX MATING CYCLES	50 TIMES	◎
OPERATION TEMP.	-40-125°C	NA
WIRE RANGE	10mm <sup>2</sup> -16mm <sup>2</sup>	NA
ROHS COMPLIANCE	YES	★



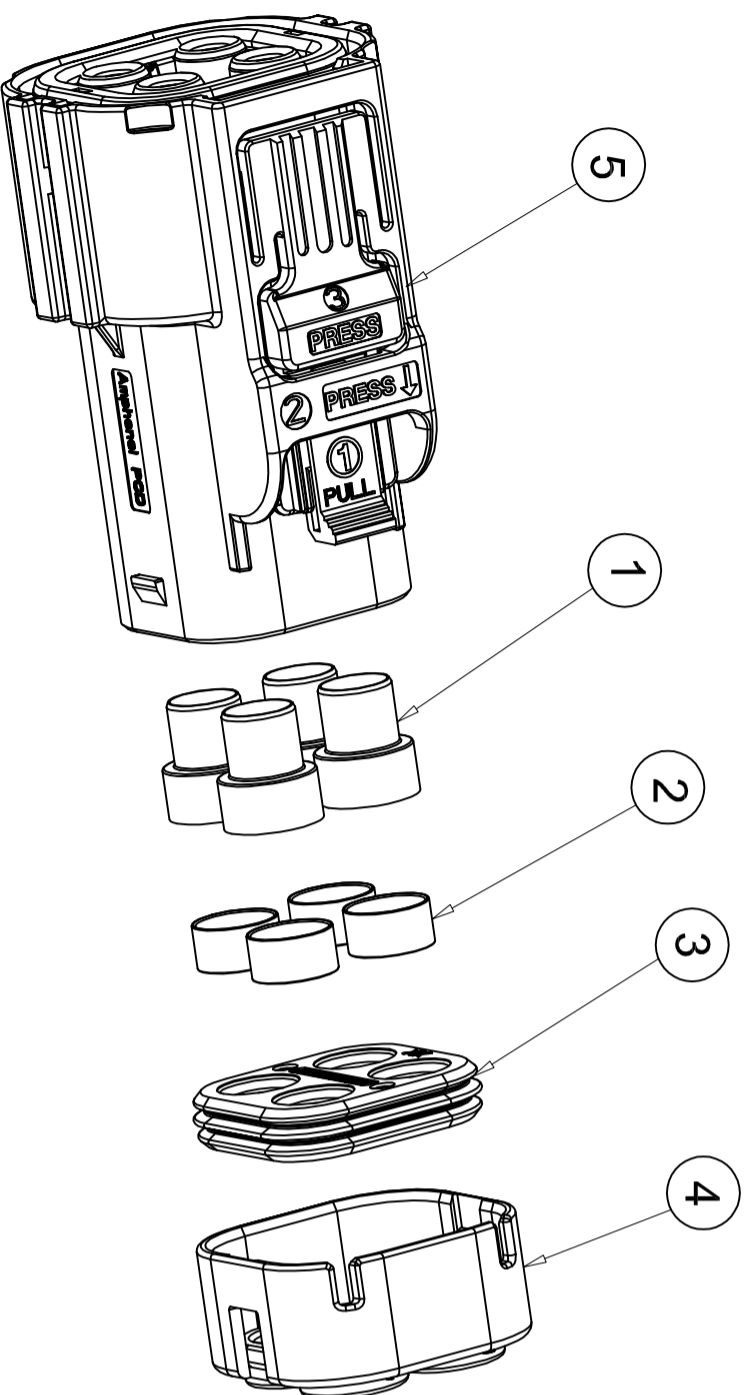
\*NOTES:  
1. HVSL364064A1XXIS11 shown in this sheet  
2. Recommend OD of shielded wire: 10mm<sup>2</sup> / 6AWG(13.3mm<sup>2</sup>), Ø8.1mm-Ø8.8mm; 16mm<sup>2</sup>, Ø9.1mm-Ø9.9mm;  
3. Power contact should be ordered separately, see below table  
4. Wire range: 10mm<sup>2</sup>-16mm<sup>2</sup>

Assembly P/N	Wire size	Power contact P/N	Usage
HVSL364063XX10	10mm <sup>2</sup>	C3100235021	4Pcs
HVSL364063XX13	6AWG(13.3mm <sup>2</sup> )	PQ3BS00080	4Pcs
HVSL364063XX16	16mm <sup>2</sup>	PQ3BS00080	4Pcs

DIMENSIONS	TOLERANCES	PROJECTION	TITLE	
ANSI Y14.5M UNITS: MM CAD FILE	X ± 0.5 XX ± 0.05 ANGLES ± 2°		Amphenol PCD Shenzhen	HVSL364 4PIN PLUG
ORIGINAL	THIS DOCUMENT CONTAINS PROPRIETARY INFORMATION WHICH IS THE CONFIDENTIAL PROPERTY OF Amphenol PCD Shenzhen Co., Ltd RESERVES THE RIGHT TO CLARIFY THIS DRAWING		CHKD APPD	SIZE A3
			CODE: 58982	DWG NO. C-HVSL364064XXXXIS11
			SCALE 3:2	REV 1
			SHEET 1	OF 3

C-HVSL364064XXXXIS11

C-HVSL364064XXXXIS11



HVSL364064XX16IS11	5	HVSL364064XXYS11(X=A,B,C,D,E;Y=0,1)	1	
	4	C2200117086	1	16mm <sup>2</sup> SHIELD CABLE OD=ø9.10-ø9.90
	3	P01BR0032704	1	
	2	P03BS00002	4	
	1	P03BS00001	4	
HVSL364064XX10IS11	5	HVSL364063XXYS11(X=A,B,C,D,E;Y=0,1)	1	
	4	C2200117085	1	10mm <sup>2</sup> 6AWG(13.3mm <sup>2</sup> ) SHIELD CABLE OD=ø8.10-ø8.80
	3	P01BR0032702	1	
	2	C4200011902	4	
HVSL364064XX13IS11	2	C4200011902	4	
	1	C4200011901	4	
Assembly P/N	ITEM	COMPONENT P/N	QTY	REMARKS

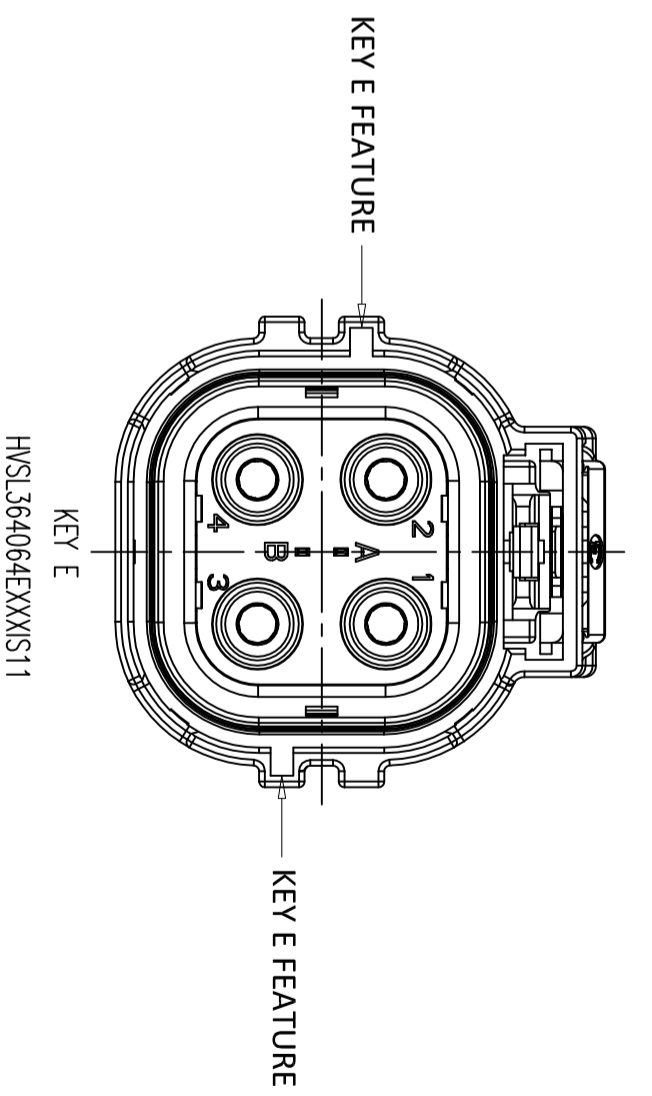
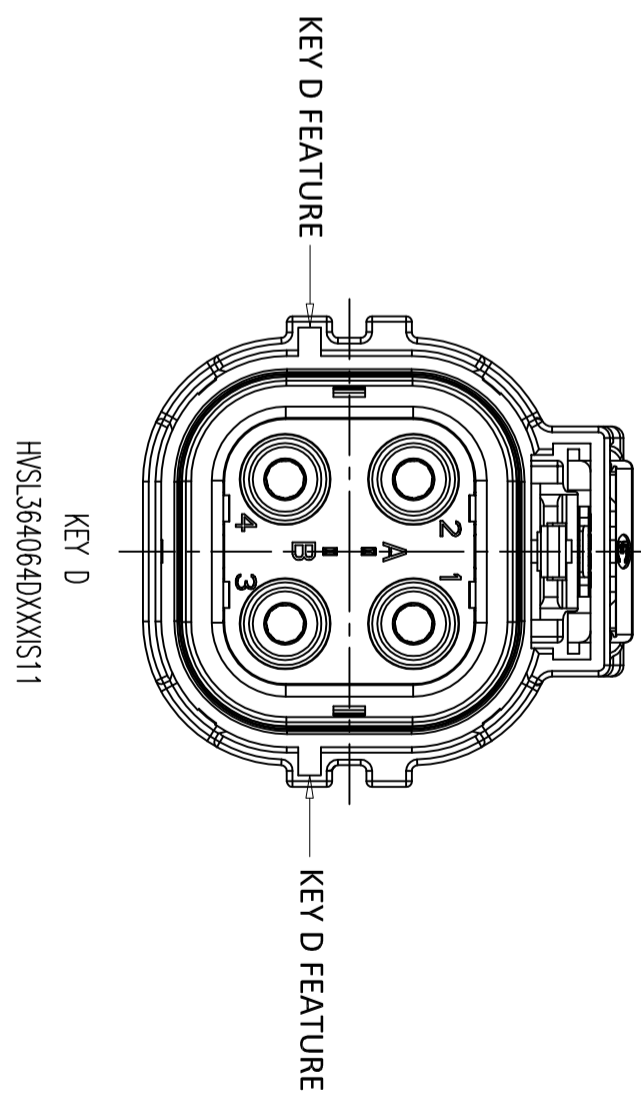
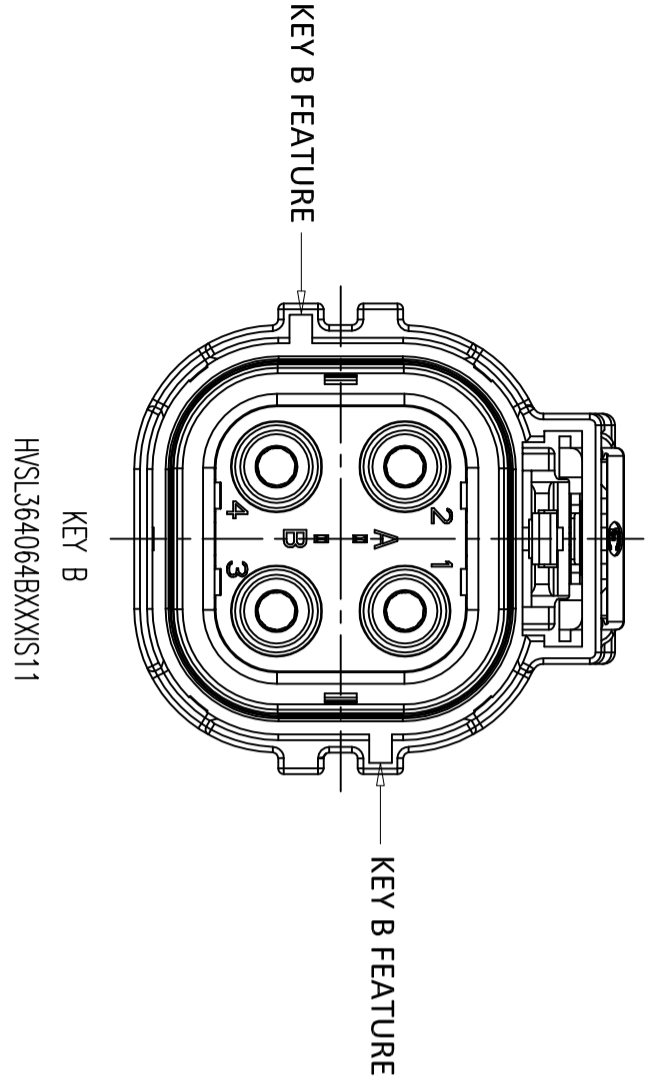
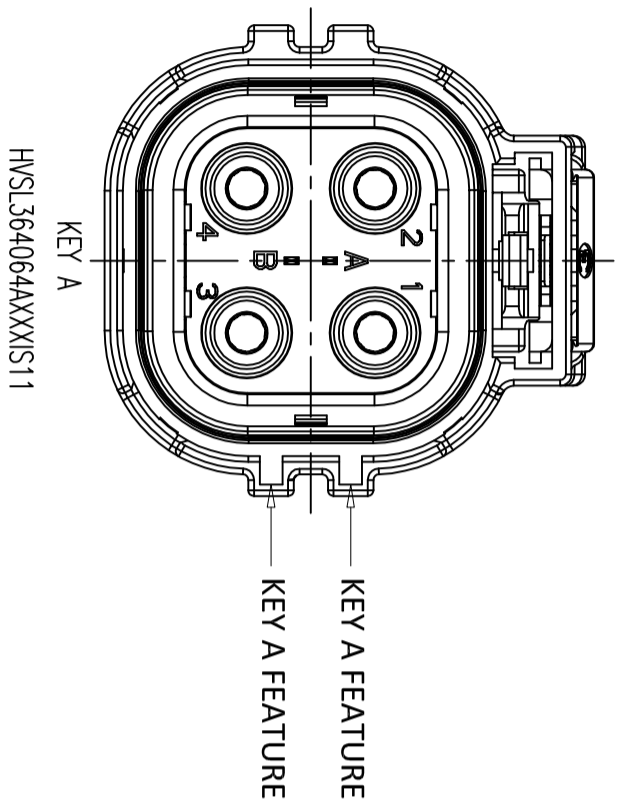
ITEM	Diagram	Wire size	PART NUMBER	DIM "d1"(mm)
ITEM1		16mm~2 10mm~2 6AWG (13.3mm <sup>2</sup> )	P03BS00001	11.4mm
ITEM2		Wire size	PART NUMBER	DIM "d2"(mm)
		10mm~2 6AWG (13.3mm <sup>2</sup> )	C4200011902	8.8mm
ITEM3		16mm~2	P01BR0032704	8.2mm
		Wire size	PART NUMBER	DIM "d3"(mm)
ITEM4		10mm~2	C2200117085	9.1mm
		6AWG (13.3mm <sup>2</sup> )	C2200117086	10.5mm
ITEM5		PART NUMBER		
		HVSL364064XXYS11 (X=A,B,C,D,E;Y=0,1)		

C-HVSL364064XXXXIS11

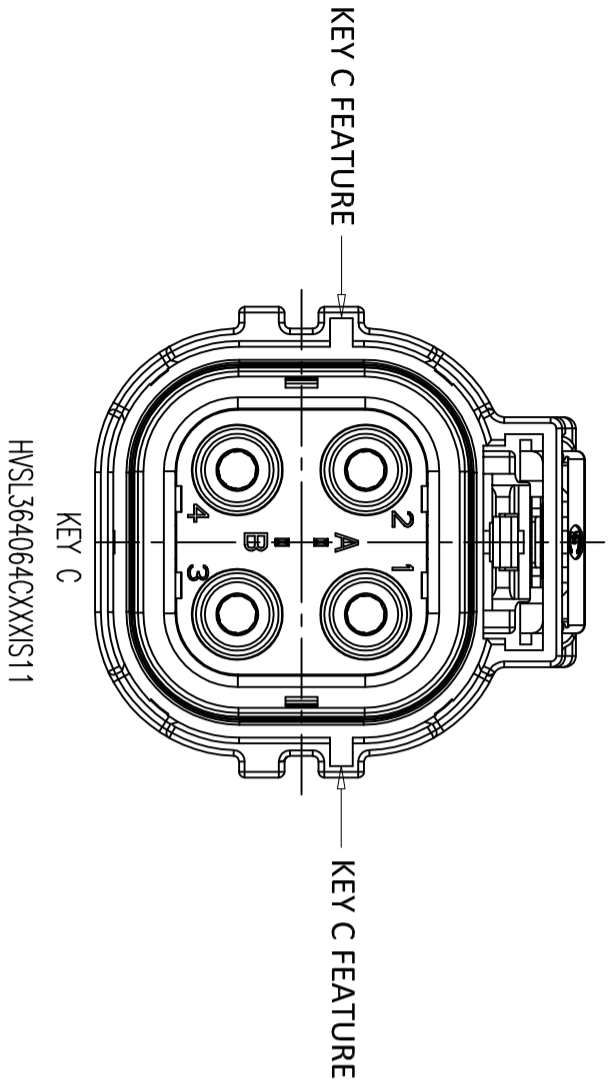
C-HVSL364064XXXXIS11

SIZE	DWG NO.	REV
A3	C-HVSL364064XXXXIS11	1
CODE: 58982	SCALE 2:3	SHEET 2 OF 3

C-HVSL364064XXXXIS11



C-HVSL364064XXXXIS11



SIZE	DWG NO.	REV
A3	C-HVSL364064XXXXIS11	1
CODE: 58982	SCALE 3:2	SHEET 3 OF 3