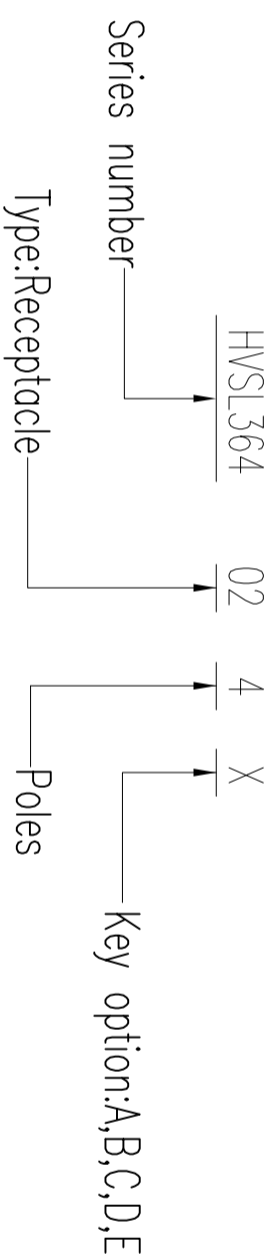


Amphenol PCD SZ
ORIGINAL
PDF Format

PART NUMBERING SCHEME



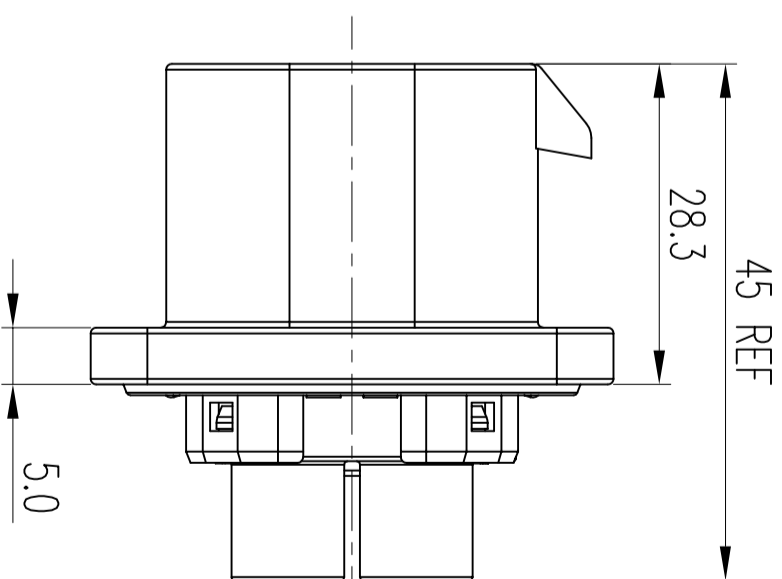
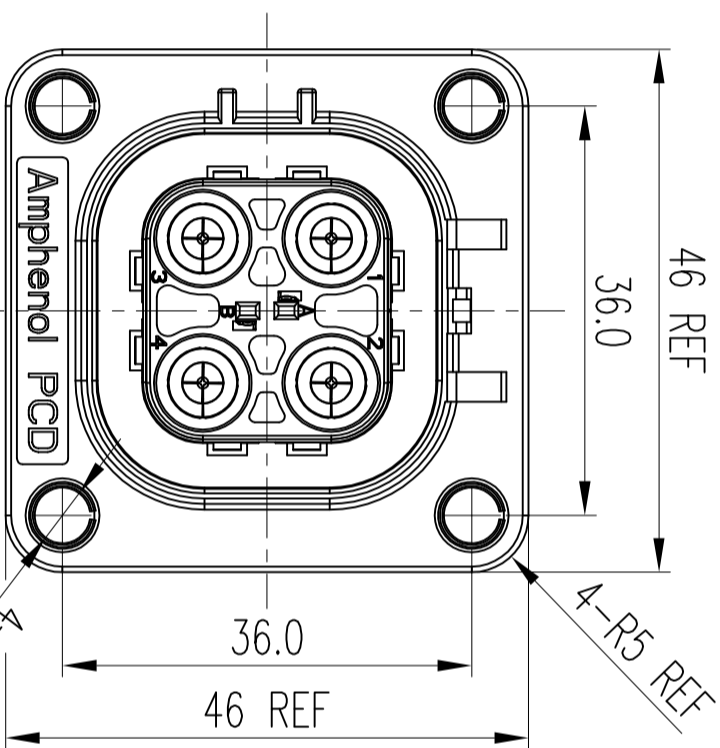
Material
Housing : PA66 UL94-V0
Contacts: Copper alloy, Tin plated
Shield: Copper alloy, Tin plated
Sedi: Silicone

* Rated Current :
20A(2.5mm² cable-stamping power contact C310026006)
25A(12AWG/3.3mm² cable-stamping power contact C310026004)
32A(4mm² cable-stamping power contact C310026004)
40A(6mm² cable-stamping power contact C310026000)
46A(6mm² cable-machined power contact C200012101)

APPLICATION: POLLUTION DEGREE II
OVERVOLTAGE CATEGORY II
INHOMOGENEOUS FIELD
ALTITUDE NO MORE THAN 2000M

IS CRITICAL CHARACTERISTIC SYMBOL
 IS IMPORTANT CHARACTERISTIC SYMBOL

TECHINCAL DATA		SPECIAL CHARACTERISTICS SYMBOL
VOLTAGE RATING	1000V AC&DC	
WITHSTAND VOLTAGE	3000V AC	
INSULATION RESISTANCE	>100M Ω	
CURRENT RATING	SIGNAL CONTACT 5A(0.35-0.5mm ²)	
	POWER CONTACT	
WATER PROOF (MATED CONDITION)	IP67	
IP FOR FINGER TOUCH (UNMATED CONDITION)	IP2XB	
SHIELDING FUNCTION	YES	NA
MAX MATING CYCLES	50 TIMES	
OPERATION TEMP.	-40-125°C	NA
WIRE RANGE	2.5-6mm ²	NA



- *NOTES:
1.HVSL364024A shown in this sheet
2.Wiring capability for power contact 2.50mm², 4mm², 6mm²
3.Contact should be ordered separately/端子需要根据使用的电流和线径单独购买
Machined power contact:C200012101 (6mm²);Use level:4pcs
Stamping Power contact:2.5mm²:C310026006, 12AWG(3.3mm²) AND 4mm²:C310026004, 6mm²:C310026000, Use level:4pcs
 HML contact:C310003614S (0.35mm² & 0.5mm²);Use level:2pcs
4.Tight torque with mounting plate: 2N*M
5.RoHS compliance

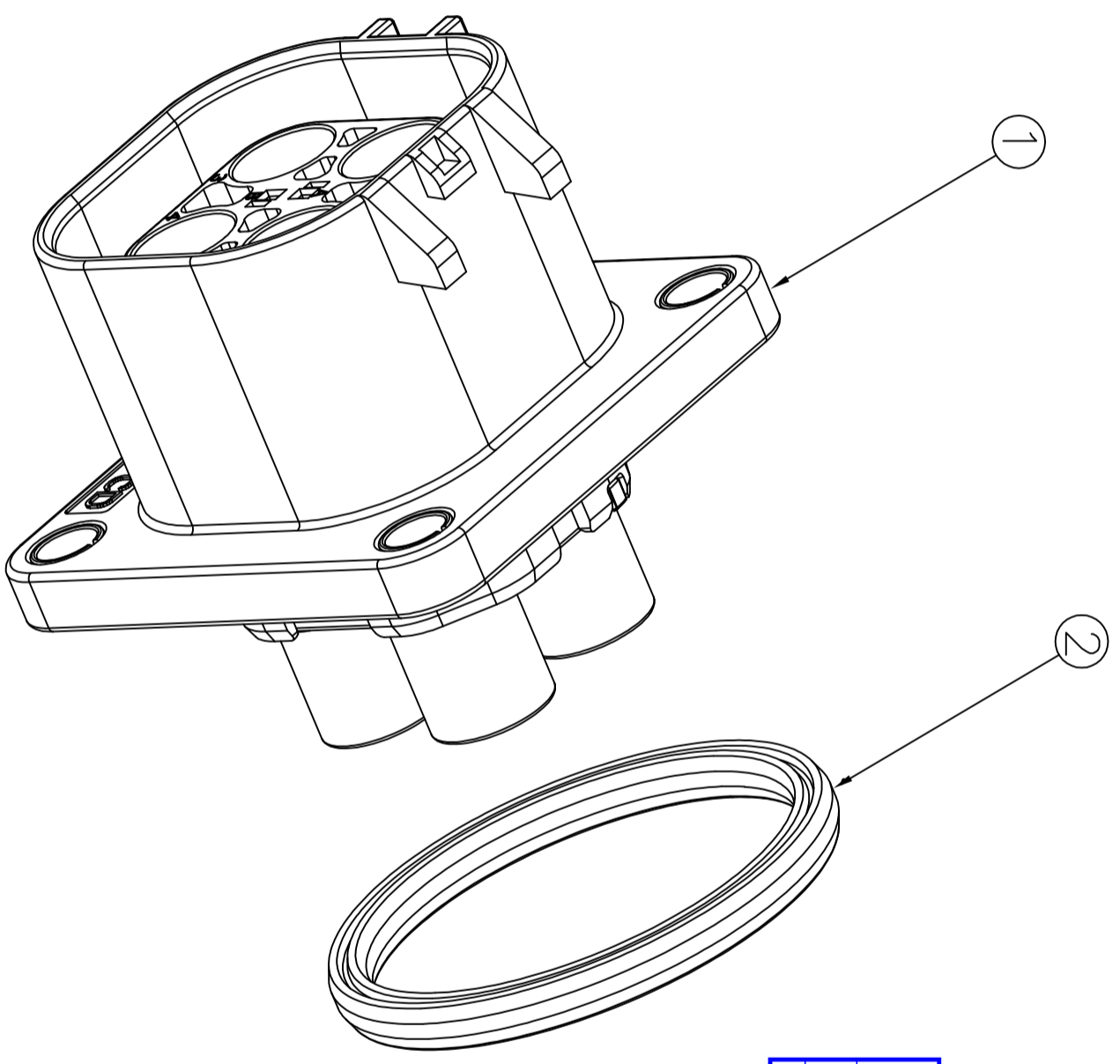
DIMENSIONS	TOLERANCES	PROJECTION	TITLE	
ANSI Y14.5M UNITS: MM CAD FILE	X ± 0.5 XX ±0.05 ANGLES ±2°		Amphenol Pcd Shenzhen	HVSL364 4P RECEPTACLE
ORIGINAL	THIS DOCUMENT CONTAINS PROPRIETARY INFORMATION WHICH IS THE CONFIDENTIAL PROPERTY OF AMPHENOL PCD SHENZHEN		CHKD ENGR	
APPD		SIZE A3	DWG NO. C-HVSL364024X	REV E
SCALE NONE		CODE:	SHEET 1 OF 3	

安费诺精密连接器(深圳)有限公司
Amphenol PCD Shenzhen
受控文件
2019年5月14日

C-HVSL364024X

C-HVSL364024X

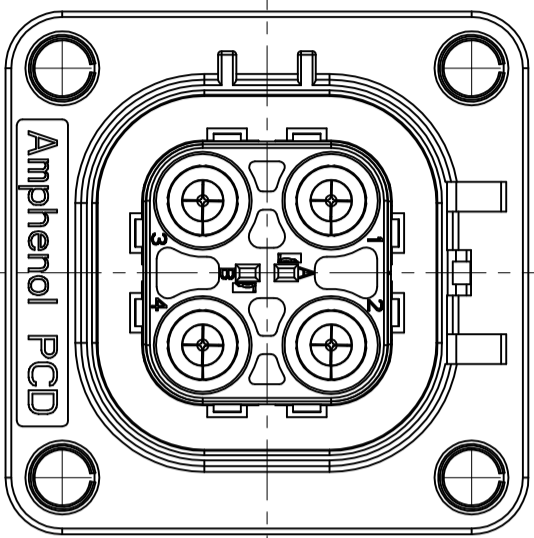
C-HVSL364024X



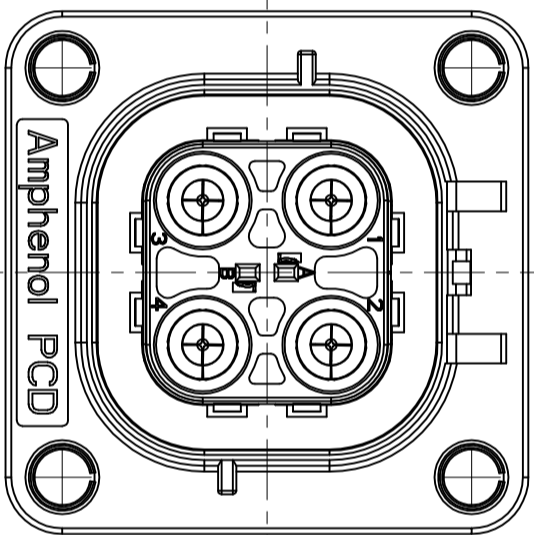
安费诺精密连接器(深圳)有限公司 Amphenol PCD Shenzhen
受 控 文 件
2019年5月14日

HVSL364024X	2	C4270011601	1	
	ITEM	COMPONENT P/N	QTY	REMARKS
Assembly P/N	1	HVSL36402	1	

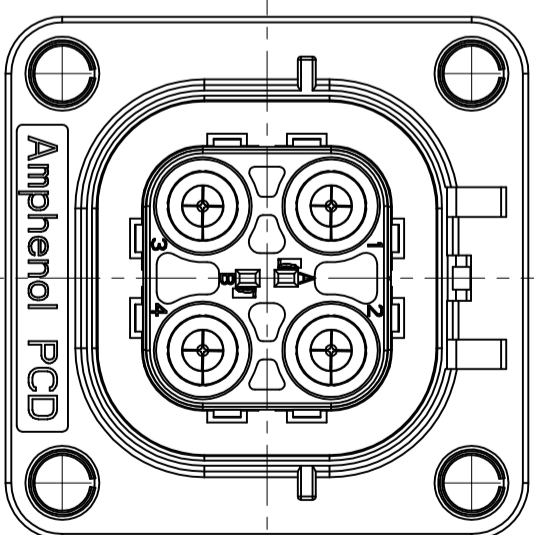
SIZE A3	DWG NO. C-HVSL364024X	REV E
CODE:	SCALE NONE	SHEET 2 OF 3



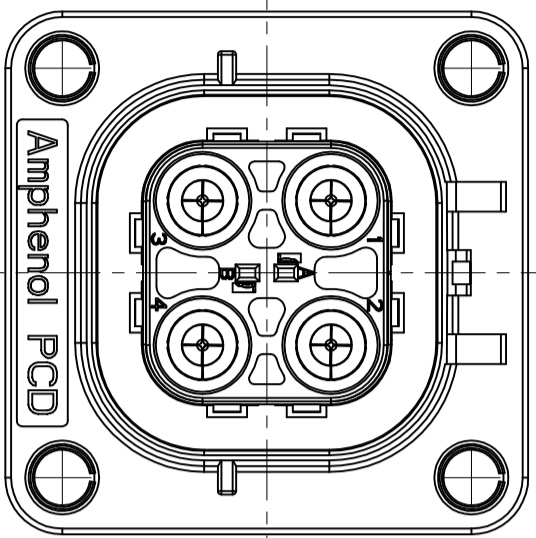
KEY A
HVSL364024A



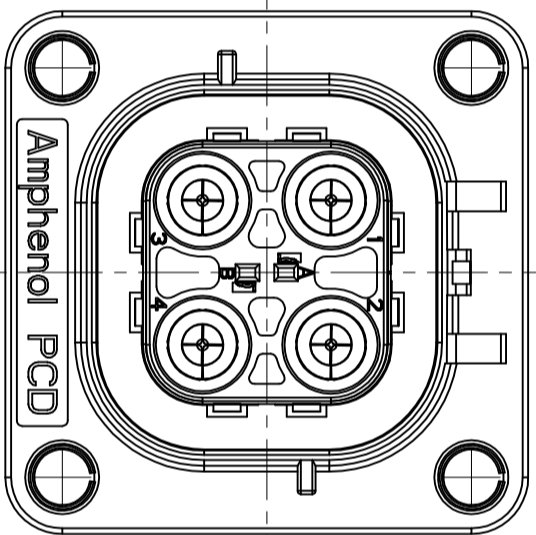
KEY B
HVSL364024B



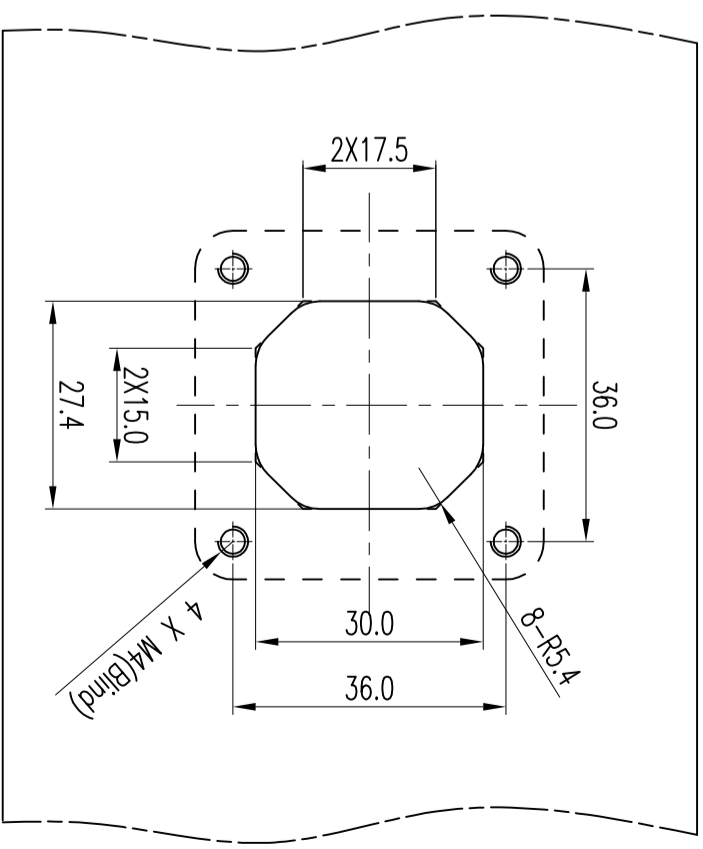
KEY C
HVSL364024C



KEY D
HVSL364024D



KEY E
HVSL364024E



MOUNTING INTERFACE SPECIFICATION
RECOMMENDED THICKNESS:3.0mm Min

SIZE	DWG NO.	REV
A3	C-HVSL364024X	E
CODE:	SCALE	SHEET
	NONE	3 OF 3