

Amphenol PCD SZ  
ORIGINAL  
PDF Format  
R&D

NOTES:

1. PRODUCT DO NOT INCLUDE CONTACT, NEED TO BUY SEPARATELY.

POWER PIN: EX30M4 FOR 2.5mm<sup>2</sup>&4mm<sup>2</sup> CABLE

EX30M6 FOR 6mm<sup>2</sup> CABLE

SIGNAL PIN: EX16MI FOR 0.5~0.75mm<sup>2</sup> CABLE  $\triangle_3$

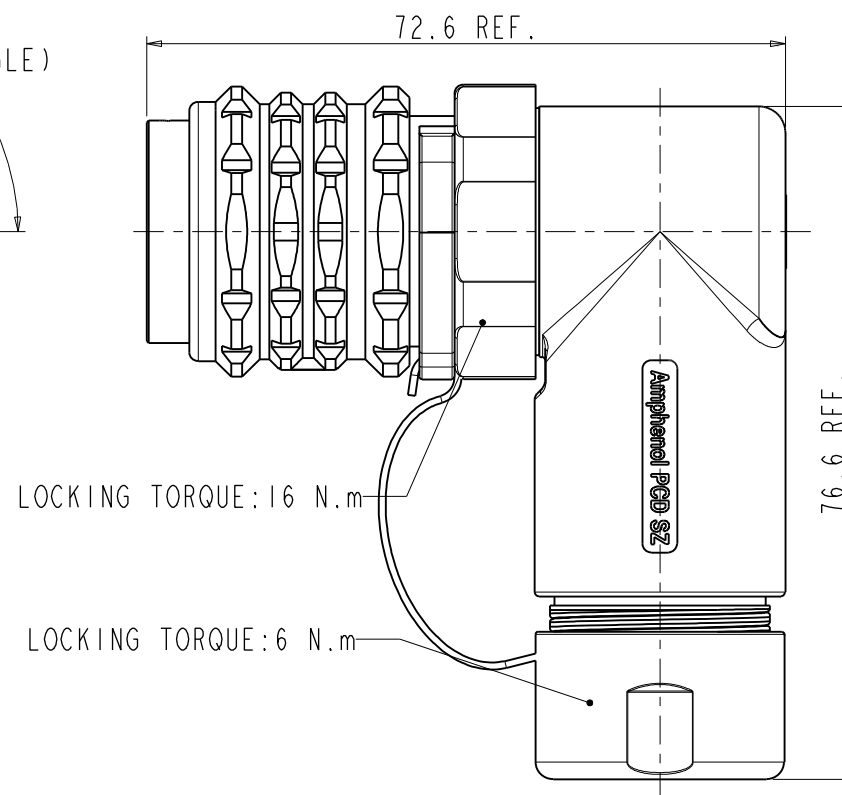
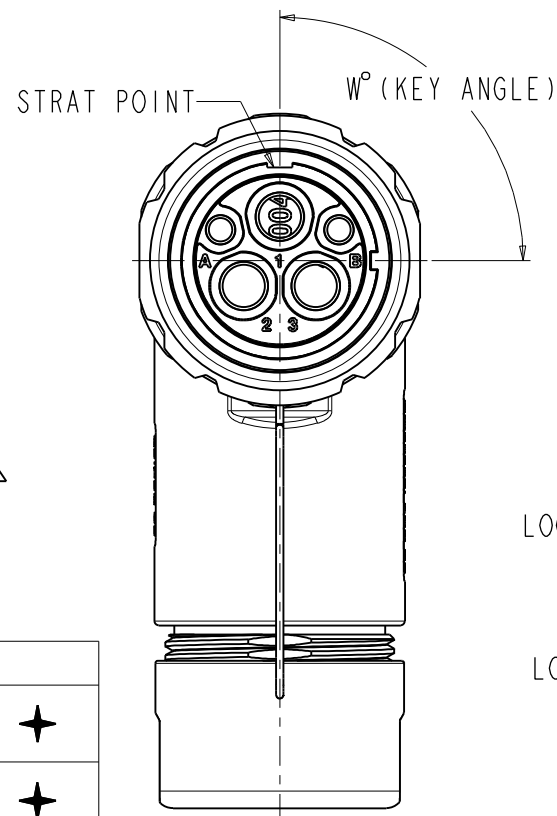
1~3 HOLES FOR  $\varnothing 3.0$  POWER PIN

A, B HOLES FOR  $\varnothing 1.6$  SIGNAL PIN

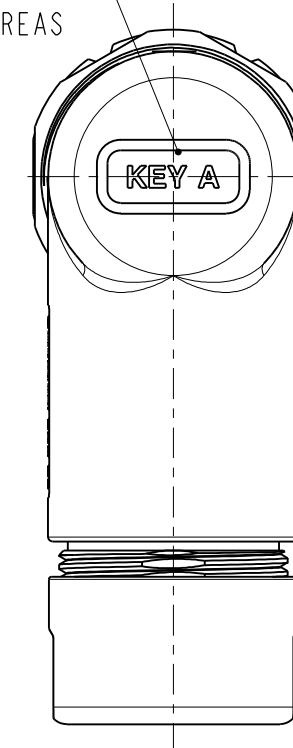
2. TECHNICAL DATA TABLE

TECHNICAL DATA		
CURRENT RATING (6mm <sup>2</sup> SHIELDING CABLE)	40A @ AMBIENT 70°C	+
CURRENT RATING (4mm <sup>2</sup> SHIELDING CABLE)	32A @ AMBIENT 70°C	+
CURRENT RATING (2.5mm <sup>2</sup> SHIELDING CABLE)	23A @ AMBIENT 70°C	+
CURRENT RATING (0.5~0.75mm <sup>2</sup> CABLE)	5A @ AMBIENT 70°C	+ $\triangle_3$
RATING VOLTAGE (OVERVOLTAGE CATEGORY II POLLUTION DEGREE 2)	1000V DC	+ $\triangle_3$
OPERATING TEMPERATURE	-40~125°C	
DIELECTRIC WITHSTANDING VOLTAGE	POWER CONTACT 3000V AC(RMS)	+ $\triangle_3$
	HVIL CONTACT 660V AC(RMS)	+ $\triangle_3$
INSULATION RESISTANCE	200M $\Omega$ MIN. 25°C NO CABLE	+ $\triangle_3$
DURABILITY	50 CYCLES	◎
SHIELDING	YES	
WATERPROOF (MATED CONDITION)	IP 68 & IPX9K	+
PROTECTION LEVEL	IP2XB	+
AMBIENT TEMPERATURE	-40~70°C	
RoHS COMPLIANCE	YES	+

"+" CRITICAL CHARACTERISTIC  
"◎" IMPORTANT CHARACTERISTIC



THE KEY AND COLOUR IDENTIFY AREAS



C-EX40308XXXXM

C-EX40308XXXXM

DIMENSIONS	TOLERANCES	PROJECTION	TITLE		
ANSI Y14.5M UNITS: MM Pro/E FILE	.X ±0.5 .XX ±0.05 ANGLES ±2°		Amphenol PCD Shenzhen		
ORIGINAL	THIS DOCUMENT CONTAINS PROPRIETARY INFORMATION WHICH IS THE CONFIDENTIAL PROPERTY OF Amphenol PCD Shenzhen Co. Ltd Amphenol PCD Shenzhen Co. Ltd RESERVES THE RIGHT TO CLARIFY THIS DRAWING	ENGR	EX_RA PLUG		
		CHKD APPD	SIZE A3	DWG NO. C-EX40308XXXXM	REV 3
			CODE: 58982	SCALE: 1:1	SHEET 1 OF 2

3. HOW TO ORDER EX403 R/A PLUG: EX403 08 X X XX M

KEY OF CODING OPTION:

KEY CODE	COLOR & KEY ANGLE(W)	TABLE 1 I# PART
A	RED & 45°	EX40308A
B	BLACK & 90°	EX40308B
C	YELLOW & 180°	EX40308C
D	GREEN & 270°	EX40308D
E	BLUE & 315°	EX40308E

CABLE TYPE SHIELDED WIRE:

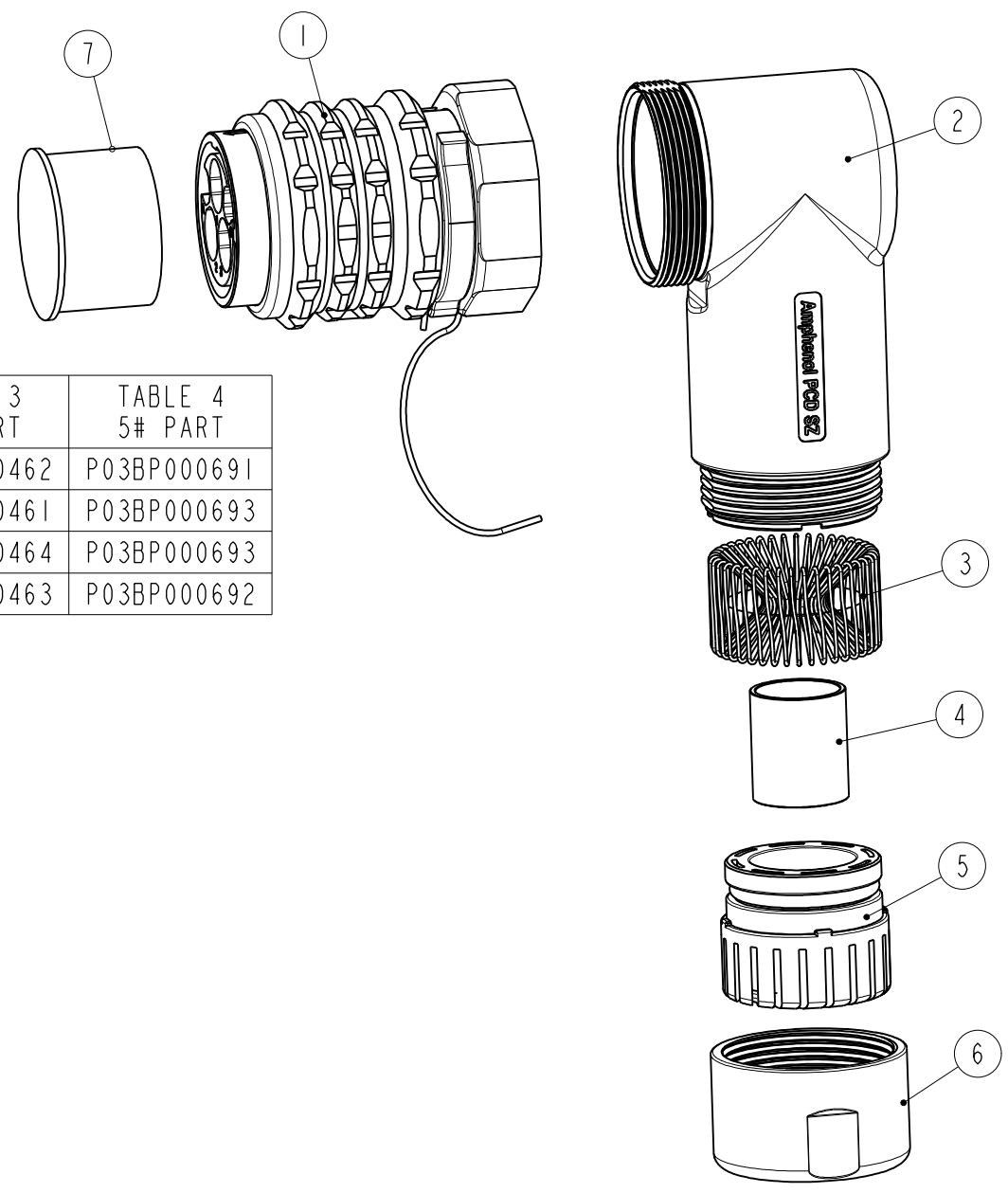
M: MULTICORE

CABLE OUTER DIAMETER:

CODE	DESCRIPTION	TABLE 2 3# PART	TABLE 3 4# PART	TABLE 4 5# PART
11	CABLE OD: 10.0~10.8MM	P03BN000401	P03BM000462	P03BP000691
12	CABLE OD: 10.9~11.8MM	P03BN000401	P03BM000461	P03BP000693
13	CABLE OD: 11.9~12.8MM	P03BN000402	P03BM000464	P03BP000693
14	CABLE OD: 12.9~13.8MM	P03BN000402	P03BM000463	P03BP000692

INTERLOCK OPTION:

CODE	DESCRIPTION
0	WITHOUT HVIL (NOT INCLUDE HVIL CONTACT)
1	WITH SHORTED HVIL (INSTALLED ALREADY)
2	WITH HVIL, THE PIN EXTERNAL. (HVIL CONTACT NEED TO BUY SEPARATELY)



4. ASSEMBLY AND DETAIL EX SERIES BOM LIST SHOW  
DETAIL EX SERIES BOM LIST

EX40308 X X X X M	7	C422005984	1	DUST CAP
	6	C2000052141	1	BACK CAP
	5	SEE TABLE 4	1	GLAND
	4	SEE TABLE 3	1	SHIELDING RING
	3	SEE TABLE 2	1	SHELDING
	2	P03BM00044	1	HOUSING
	1	SEE TABLE 1	1	MAIN BODY
ASSEMBLY NUMBER	ITEM	P/N	Q'TY	DESCRIPTION

C-EX40308XXXXM

C-EX40308XXXXM