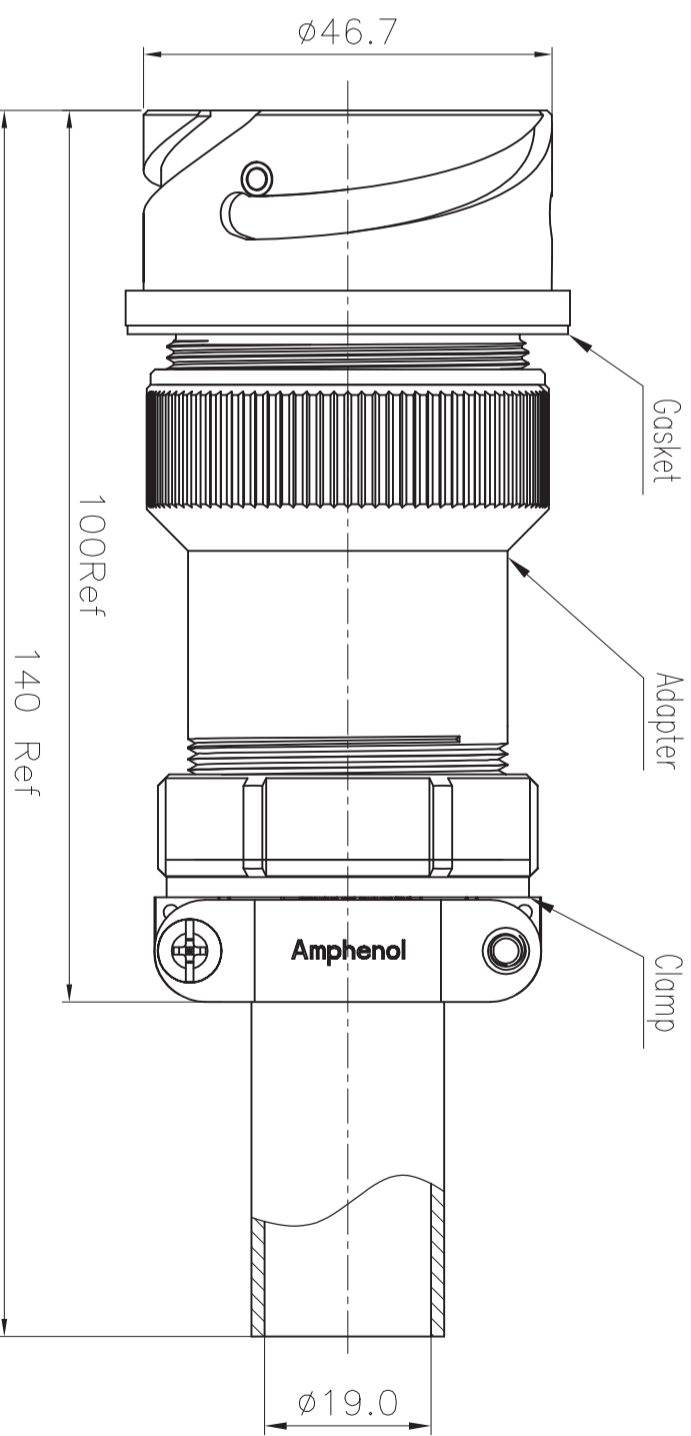
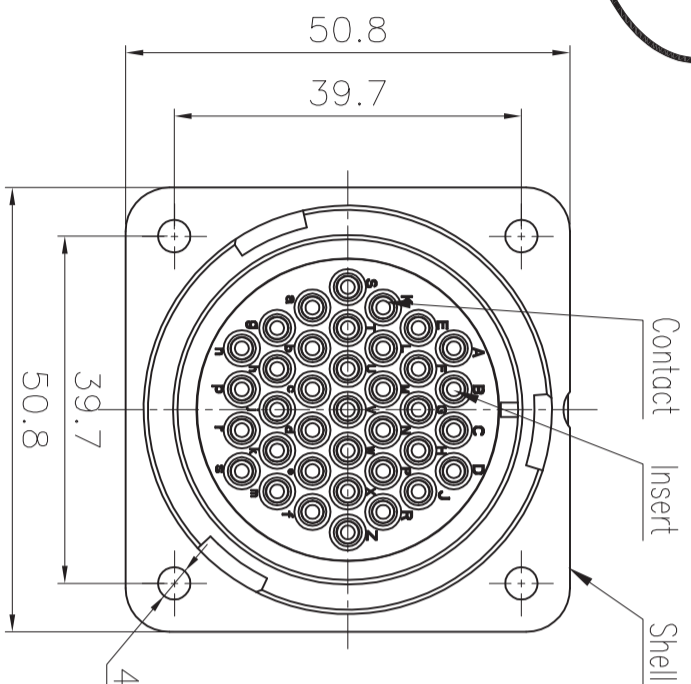


REV	ECN	DESCRIPTION	DATE	MODIFIED
2		UPDATE	2015.09.10	Dei Yao
3		UPDATE	2016.06.01	O.Zou
4		UPDATE	2019.07.04	W.Liu



\*Notes / 技术参数:

Material 材料\ Finish 表面处理  
Shells 外壳 : Aluminum alloy 铝合金/ Olive drab zinc plated 镀绿锌

Insert 插芯: Thermoplastics UL94-V0 热塑性塑料

Contact 插针: 37x #16 pin contacts

Copper alloy 铜合金

Au plated crimp type 镀金, 压接形式

Mechanical data 机械参数

Operating Temperature 温度范围: -55°C ~ +125°C

Durability 机械寿命: 500 cycles

Electrical data 电气参数:

Rated Voltage 额定电压 : 500V AC

Rated Current 额定电流 : 13A(#16contacts)

Insulation Resistance: 2000 MΩ Min

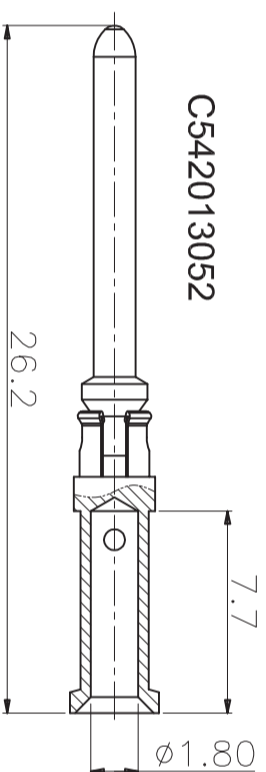
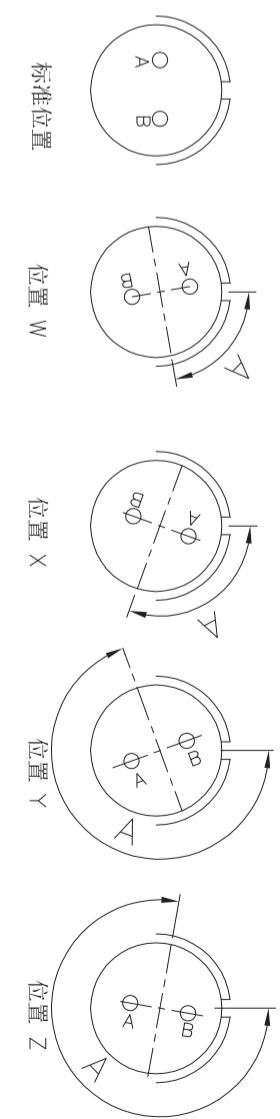
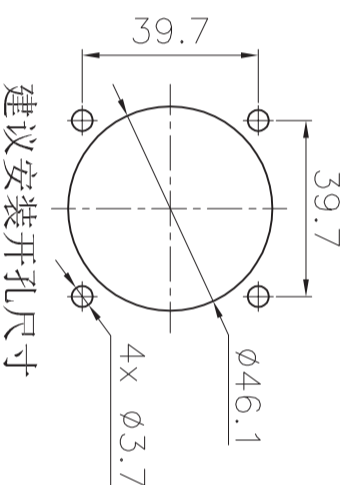
Contact Resistance: Less than 2.5miliohms

Detail for Contact:

Crimping: 0.5mm<sup>2</sup>~1.5mm<sup>2</sup>

Material & Surface: Copper alloy, Gold Plated

Contact PN: C542013052



SCALE 3:1

ASVG-1A-2821-PC-D19-Z	Z	280°
ASVG-1A-2821-PC-D19-Y	Y	250°
ASVG-1A-2821-PC-D19-X	X	110°
ASVG-1A-2821-PC-D19-W	W	80°
P/N	Direction	Angle(A)

RECEPTACLE / 插座

DIMENSIONS	TOLERANCES	PROJECTION	Amphenol Pcd Shenzhen		TITLE
ANSI Y14.5M UNITS: MM	X ± 0.5 XX ± 0.10 ANGLES ± 0.5°		CHKD	ENGR	SIZE A3
ORIGINAL FOR CUSTOMER DISTRIBUTION	THIS DOCUMENT CONTAINS PROPRIETARY INFORMATION WHICH IS THE CONFIDENTIAL PROPERTY OF AMPHENOL PCD SHENZHEN		APPD		DWG NO. ASVG-1A-2821-PC-D19-XX
			SCALE 1:1	SHEET 1 OF 1	REV 4