

Amphenol PCD SZ
ORIGINAL
PDF Format
R&D

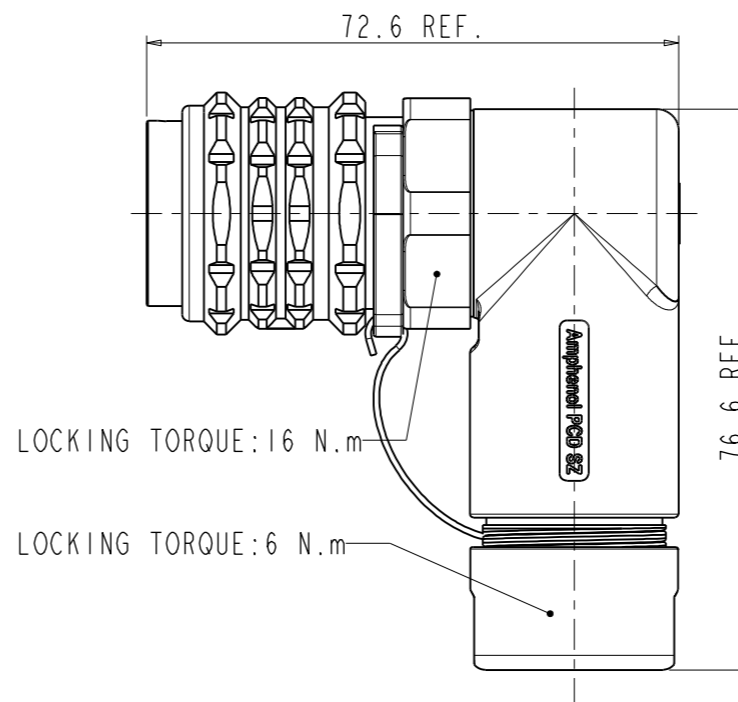
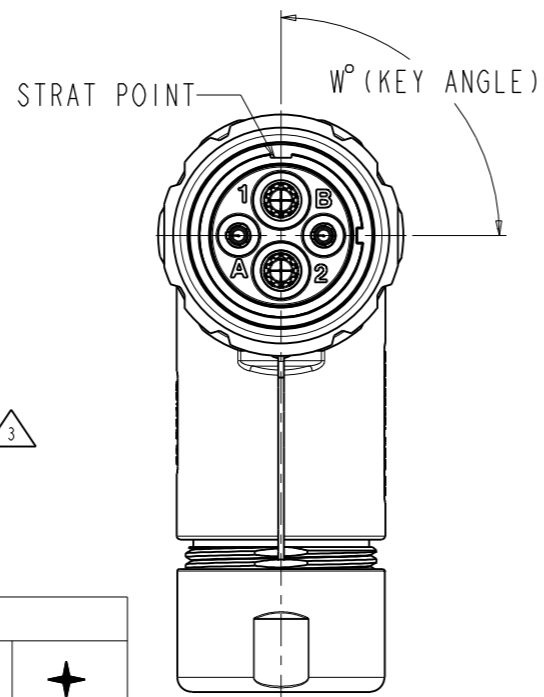
NOTES:

- PRODUCT DO NOT INCLUDE CONTACT, NEED TO BUY SEPARATELY.
POWER PIN: EX30M4 FOR 2.5mm²&4mm² CABLE
EX30M6 FOR 6mm² CABLE
SIGNAL PIN: EX16MI FOR 0.5~0.75mm² CABLE ³
1,2 HOLES FOR Ø3.0 POWER PIN
A,B HOLES FOR Ø1.6 SIGNAL PIN

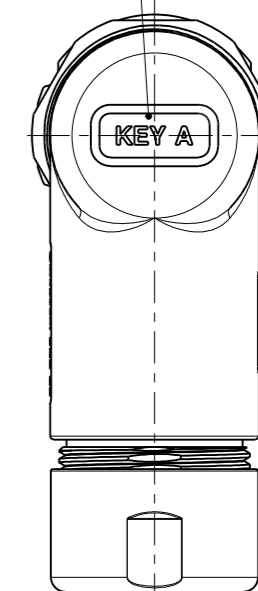
2. TECHNICAL DATA TABLE

TECHNICAL DATA		
CURRENT RATING (6mm ² SHIELDING CABLE)	40A @ AMBIENT 70°C	+
CURRENT RATING (4mm ² SHIELDING CABLE)	32A @ AMBIENT 70°C	+
CURRENT RATING (2.5mm ² SHIELDING CABLE)	23A @ AMBIENT 70°C	+
CURRENT RATING (0.5~0.75mm ² CABLE)	5A @ AMBIENT 70°C	+ ³
RATING VOLTAGE (OVERVOLTAGE CATEGORY II POLLUTION DEGREE 2)	1000V DC	+ ³
OPERATING TEMPERATURE	-40~125°C	
DIELECTRIC WITHSTANDING VOLTAGE	POWER CONTACT 3000V AC(RMS)	+ ³
	HVIL CONTACT 660V AC(RMS)	+ ³
INSULATION RESISTANCE	200MΩ MIN. 25°C NO CABLE	+ ³
DURABILITY	50 CYCLES	◎
SHIELDING	YES	
WATERPROOF (MATED CONDITION)	IP 68 & IPX9K	+
PROTECTION LEVEL	IP2XB	+
AMBIENT TEMPERATURE	-40~70°C	
RoHS COMPLIANCE	YES	+

"+" CRITICAL CHARACTERISTIC
"◎" IMPORTANT CHARACTERISTIC



THE KEY AND COLOUR
IDENTIFY AREAS



C-EX40208XXXXM

C-EX40208XXXXM

DIMENSIONS	TOLERANCES	PROJECTION	TITLE		
ANSI Y14.5M UNITS: MM Pro/E FILE	.X ±0.5 .XX ±0.05 ANGLES ±2°		Amphenol PCD Shenzhen		
ORIGINAL	THIS DOCUMENT CONTAINS PROPRIETARY INFORMATION WHICH IS THE CONFIDENTIAL PROPERTY OF Amphenol PCD Shenzhen Co. Ltd Amphenol PCD Shenzhen Co. Ltd RESERVES THE RIGHT TO CLARIFY THIS DRAWING		ENGR	EX_RA SERIES PLUG	
			CHKD	SIZE A3	DWG NO. C-EX40208XXXXM
			APPD	CODE: 58982	SHEET 1 OF 2
				SCALE: 1:1	

3. HOW TO ORDER EX402 R/A PLUG: EX402 08 X X XX M

KEY OF CODING OPTION:

KEY CODE	COLOR & KEY ANGLE(W)	TABLE 1 I# PART
A	RED & 45°	EX40208A
B	BLACK & 90°	EX40208B
C	YELLOW & 180°	EX40208C
D	GREEN & 270°	EX40208D
E	BLUE & 315°	EX40208E

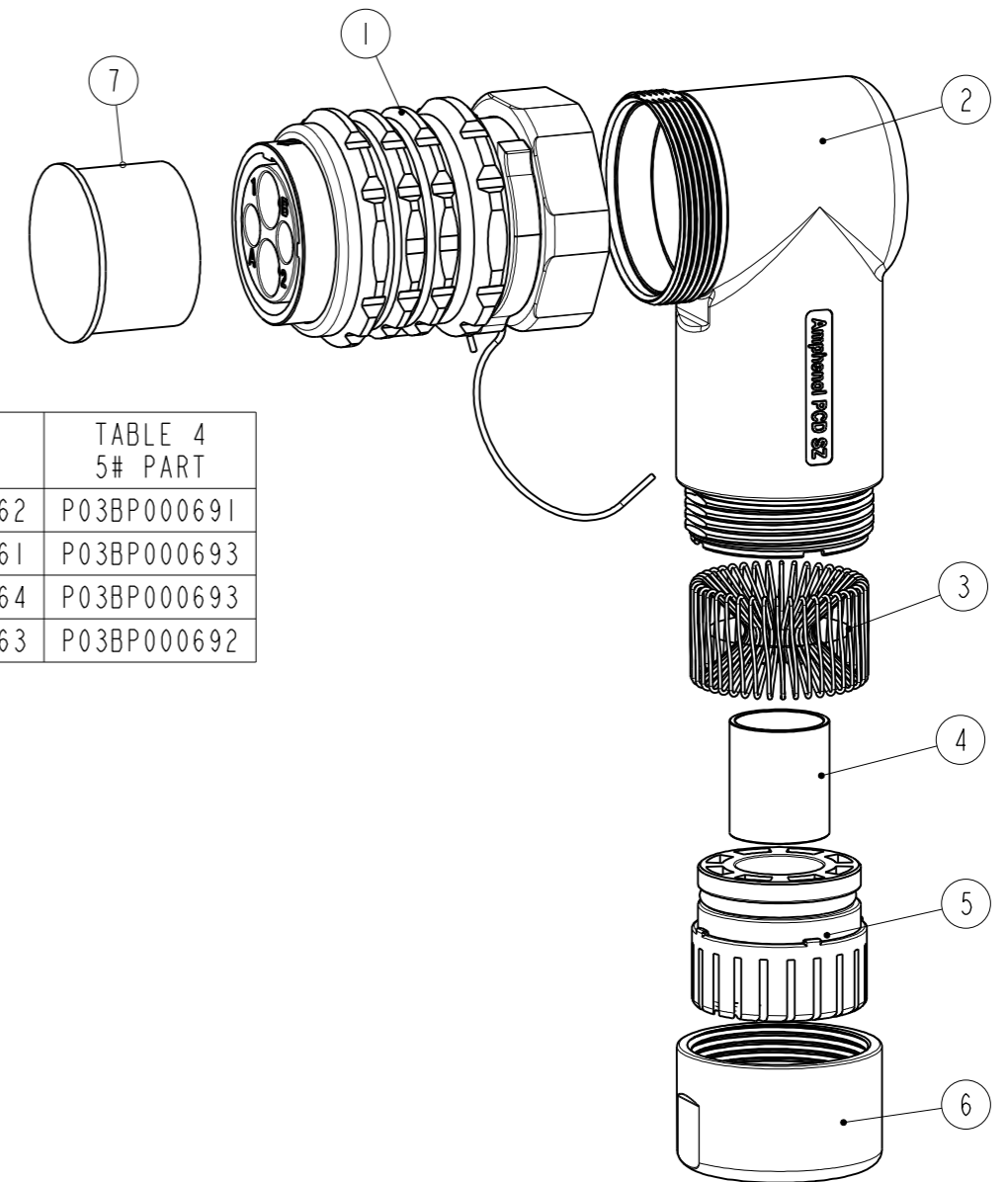
CABLE TYPE SHIELDED WIRE:
M: MULTICORE

CABLE OUTER DIAMETER:

CODE	DESCRIPTION	TABLE 2 3# PART	TABLE 3 4# PART	TABLE 4 5# PART
11	CABLE OD: 10.0~10.8MM	P03BN000401	P03BM000462	P03BP000691
12	CABLE OD: 10.9~11.8MM	P03BN000401	P03BM000461	P03BP000693
13	CABLE OD: 11.9~12.8MM	P03BN000402	P03BM000464	P03BP000693
14	CABLE OD: 12.9~13.8MM	P03BN000402	P03BM000463	P03BP000692

INTERLOCK OPTION:

CODE	DESCRIPTION
0	WITHOUT HVIL (NOT INCLUDE HVIL CONTACT)
1	WITH SHORTED HVIL (INSTALLED ALREADY)
2	WITH HVIL, THE PIN EXTERNAL. (HVIL CONTACT NEED TO BUY SEPARATELY)



4. ASSEMBLY AND DETAIL EX SERIES BOM LIST SHOW
DETAIL EX SERIES BOM LIST

EX40208 X X X X M	7	C422005984	1	DUST CAP
	6	C2000052141	1	BACK CAP
	5	SEE TABLE 4	1	GLAND
	4	SEE TABLE 3	1	SHIELDING RING
	3	SEE TABLE 2	1	SHIELDING
	2	P03BM00044	1	HOUSING
	1	SEE TABLE 1	1	MAIN BODY
ASSEMBLY NUMBER	ITEM	P/N	Q'TY	DESCRIPTION

C-EX40208XXXXM

C-EX40208XXXXM

SIZE	DWG NO.	REV
A3	C-EX40208XXXXM	3
CODE: 58982	SCALE: 1:1	SHEET 2 OF 2