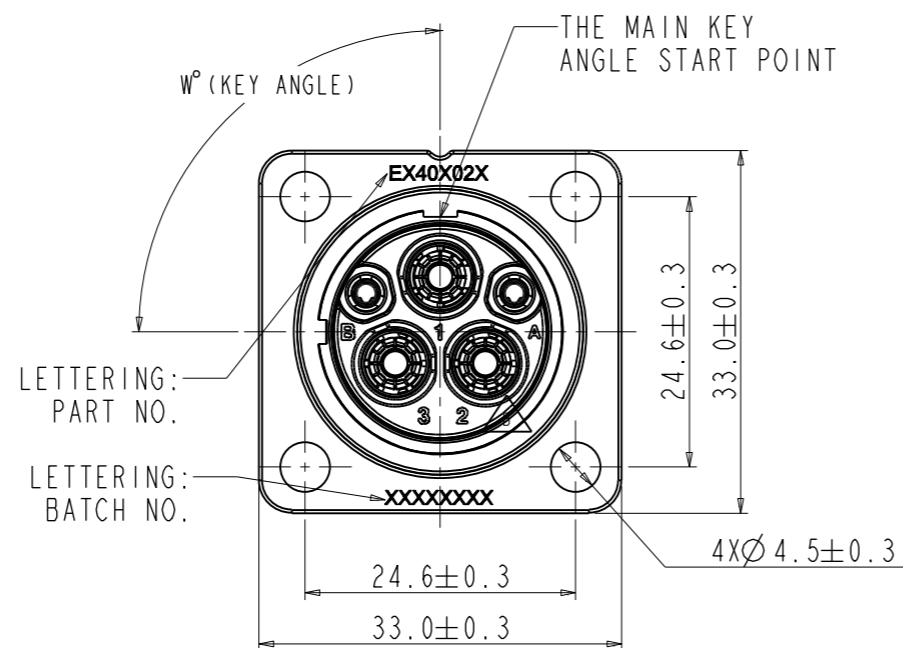
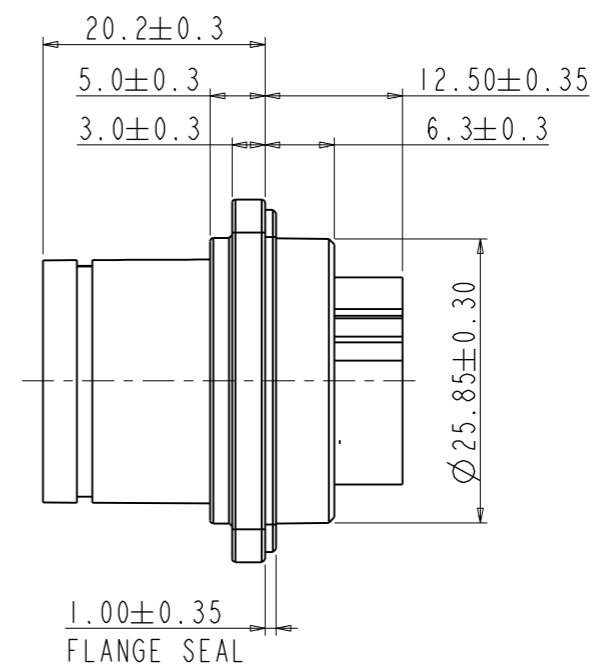


Amphenol PCD SZ  
ORIGINAL  
PDF Format  
R&D

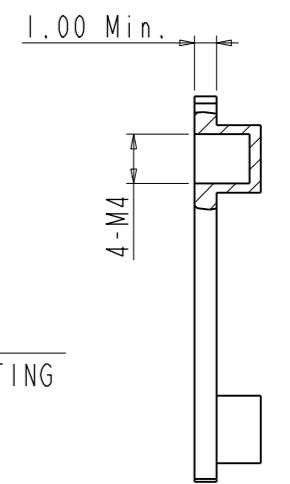
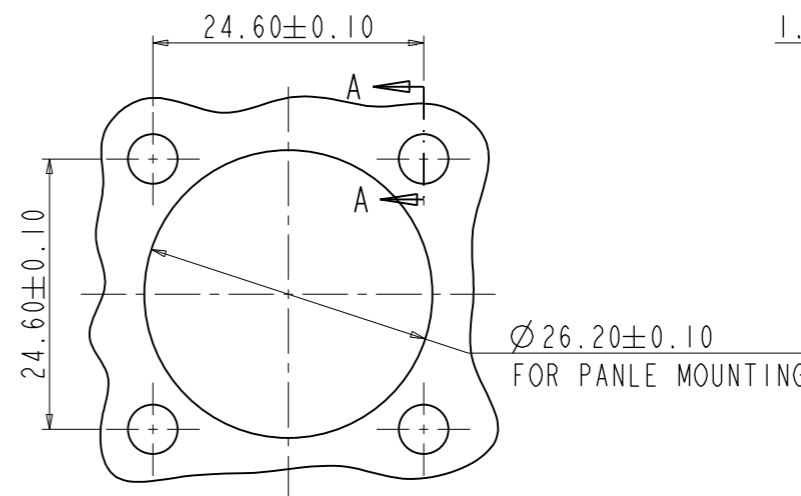
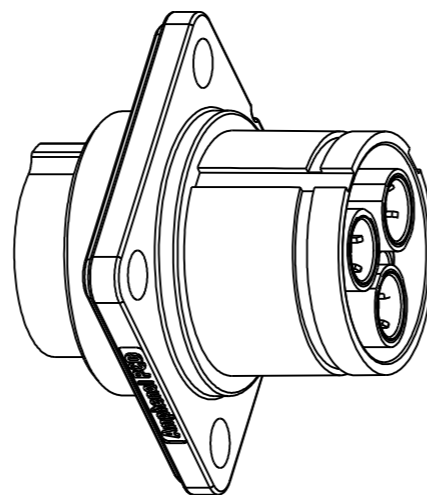


1~3 HOLES FOR ∅3.0 POWER PIN  
A,B HOLES FOR ∅1.6 SIGNAL PIN



NOTE:

1. FINISHED PRODUCT DO NOT HAVE CONTACT, NEED TO BUY SEPARATELY.
2. THE POWER PIN AND SIGNAL PIN OPTION SEE THE FOLLOWING DETAIL EX SERIES BOM LIST SHOW
3. SCREW M4(DIMENSION REFER GB/T 70.1-2000) TORQUES: 2N\*m
4. SCOPE OF CABLE OUTSIDE DIAMETER OPTION:  
2.5 mm<sup>2</sup> OD=2.7~3.7; 3.0 mm<sup>2</sup> OD=2.5~3.7  
4.0 mm<sup>2</sup> OD=3.0~4.0; 6.0 mm<sup>2</sup> OD=3.5~4.5;  
INTERLOCK CABLE OD=2.1~2.7(0.5~0.75mm<sup>2</sup> CABLE)  $\triangle C$



SUGGESTION MOUNTING INTERFACE SPECIFICATION  
(MOUNTING INTERFACE SHOWN)

EX403 02 X

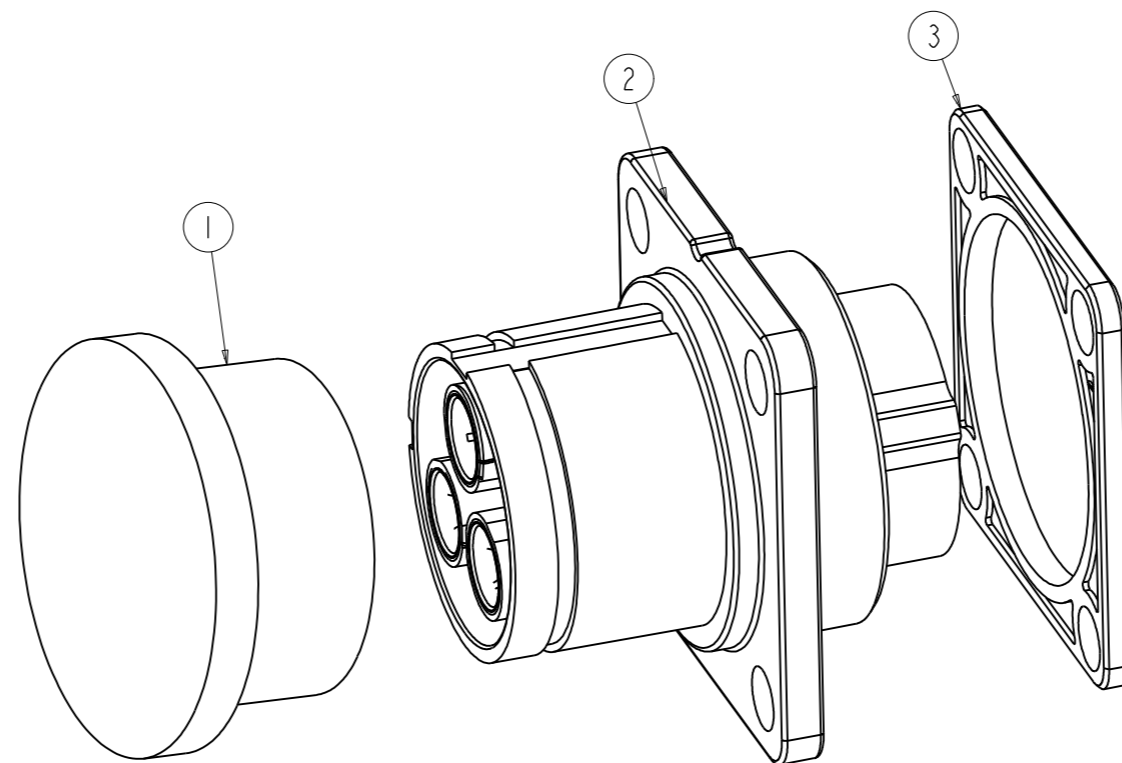
KEY OF CODING OPTION

- A: KEY A & RED( $w^\circ=45^\circ$ )
- B: KEY B & BLACK( $w^\circ=90^\circ$ )
- C: KEY C & YELLOW( $w^\circ=180^\circ$ )
- D: KEY D & GREEN( $w^\circ=270^\circ$ )
- E: KEY E & BLUE( $w^\circ=315^\circ$ )

DIMENSIONS	TOLERANCES	PROJECTION	TITLE		
ANSI Y14.5M UNITS: MM Pro/E FILE	.X ±0.5 .XX ±0.05 ANGLES ±2°		Amphenol PCD Shenzhen		
ORIGINAL	THIS DOCUMENT CONTAINS PROPRIETARY INFORMATION WHICH IS THE CONFIDENTIAL PROPERTY OF Amphenol PCD Shenzhen Co. Ltd Amphenol PCD Shenzhen Co. Ltd RESERVES THE RIGHT TO CLARIFY THIS DRAWING	CHKD	SIZE	DWG NO.	REV
		ENGR	A3	C-EX40302X	C
		APPD	CODE: 58982	SCALE: 3:2	SHEET 1 OF 2

C-EX40302X

C-EX40302X



6. TECHNICAL DATA TABLE

TECHNICAL DATA		
CURRENT RATING (6 mm <sup>2</sup> UNSHIELD CABLE)	40A @ AMBIENT 70°C	+
CURRENT RATING (4 mm <sup>2</sup> UNSHIELD CABLE)	32A @ AMBIENT 70°C	+
CURRENT RATING (2.5~3 mm <sup>2</sup> UNSHIELD CABLE)	23A @ AMBIENT 70°C	+
CURRENT RATING (0.5~0.75mm <sup>2</sup> UNSHIELD CABLE)	5A @ AMBIENT 70°C	+ △
RATING VOLTAGE (OVERVOLTAGE CATEGORY II POLLUTION DEGREE 2)	1000V DC	+ △
OPERATING TEMPERATURE	-40~125°C	
DIELECTRIC WITH STANDING VOLTAGE	POWER CONTACT 3000V AC(RMS)	+ △
	HVIL CONTACT 660V AC(RMS)	+ △
INSULATION RESISTANCE	200MΩ MIN.@25°C NO CABLE	+ △
DURABILITY	50 CYCLES	◎
SHIELDING	YES	
WATERPROOF (MATED CONDITION)	IP 68 & IPX9K	+
PROTECTION LEVEL	IP2XB	+
AMBIENT TEMPERATURE	-40~70°C	
RoHS	YES	+

"+" CRITICAL CHARACTERISTICS  
"◎" IMPORTANT CHARACTERISTICS

7. ASSEMBLY AND DETAIL EX SERIES BOM LIST SHOW

7.1. DETAIL EX SERIES BOM LIST

EX40302	X	3	C4270036611	1	FLANGE SEAL PART
		2	MAIN BODY	1	MAIN BODY
		1	C422005986	1	DUST COVER
		ITEM	P/N	QUANTITY	DESCRIPTION

EX30F6	3	C3100050211 BIG POWER PIN Ø3.0 FOR 6mm <sup>2</sup> CABLE(BUY SEPARATE)
EX30F4	3	C310005021 BIG POWER PIN Ø3.0 FOR 2.5~4mm <sup>2</sup> CABLE(BUY SEPARATE)
EX16F1	2	C310005023 SMALL SIGNAL PIN Ø1.6 (BUY SEPARATE)
P/N	QUANTITY	DESCRIPTION

SIZE <b>A3</b>	DWG NO. <b>C-EX40302X</b>	REV <b>C</b>
CODE: 58982	SCALE: 1:1	SHEET 2 OF 2