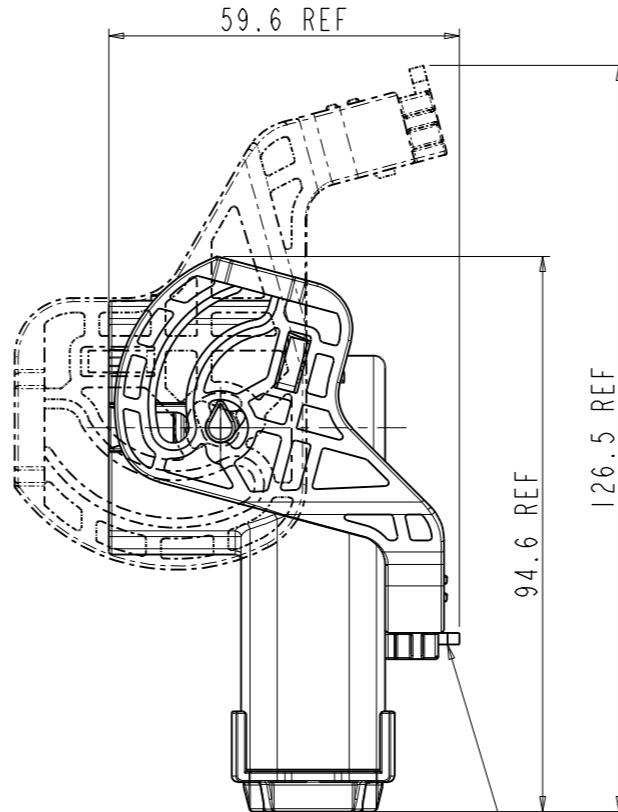
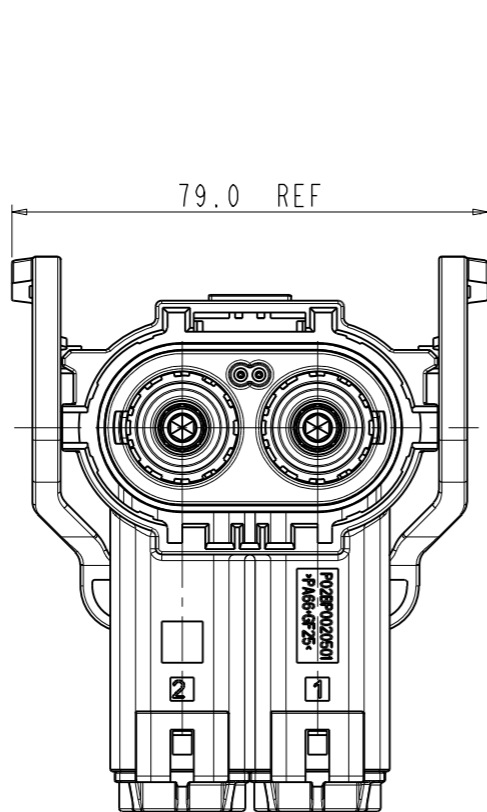
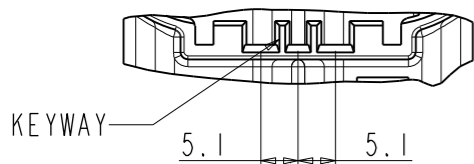


Amphenol PCDSZ
ORIGINAL
PDF Format
R&D



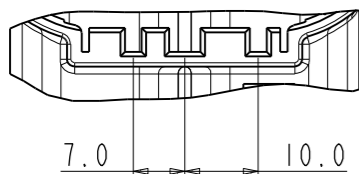
DELIVERY CONDITION:
CPA ON LOCKED POSITION

安费诺精密连接器(深圳)有限公司
Amphenol PCD Shenzhen
受控文件
2021年6月9日

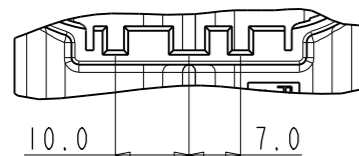


KEYWAY 5.1 5.1

HVSLP800082AXXX
CODING A



HVSLP800082BXXX
CODING B



HVSLP800082CXXX
CODING C

NOTES:

- MATERIAL & FINISH:
PLASTIC BODY: THERMOPLASTICS ORANGE COLOR
POWER CONTACT: COPPER ALLOY SILVER AND TIN PLATED
SEAL RING:SR

2. PART NUMBER DESCRIPTION:

HVSLP 800 08 2 X X XX

- | | | |
|-------------|-----------------|-------------------------------------|
| A: CODING A | 0: WITHOUT HVIL | 01: CROSS-SECTION 50mm ² |
| B: CODING B | 1: WITH HVIL | WIRE OD=16.5 ± 0.3mm |
| C: CODING C | | 02: CROSS-SECTION 35mm ² |
| | | WIRE OD=14.2 ± 0.3mm |
| | | 03: CROSS-SECTION 25mm ² |
| | | WIRE OD=11.9 ± 0.3mm |
| | | 04: CROSS-SECTION 25mm ² |
| | | WIRE OD=13.5 ± 0.3mm |
| | | 05: CROSS-SECTION 50mm ² |
| | | WIRE OD=15.5 ± 0.3mm |

3. TECHNICAL DATA TABLE

TECHNICAL DATA		REMARK
CURRENT RATE(25MM^2 SHIELD CABLE)	120A@ AMBIENT TEMPERATUR 70°C	+
CURRENT RATE(35MM^2 SHIELD CABLE)	150A@ AMBIENT TEMPERATUR 70°C	+
CURRENT RATE(50MM^2 SHIELD CABLE)	180A@ AMBIENT TEMPERATUR 70°C	+
RATING VOLTAGE (OVERVOLTAGE CATEGORY II POLLUTION DEGREE 2)	1000V DC	+
OPERATING TEMPERATURE	-40-125°C	
DIELECTRIC WITHSTANDING VOLTAGE	3000V AC (RMS)	+
INSULATION RESISTANCE	200MΩ MIN.	+
DURABILITY	50 CYCLES	⊙
SHIELDING	YES	
WATERPROF(MATED CONDITION)	IP 67, IP6K9K	+
PROTECTION LEVEL	IP2XB	+
AMBIENT TEMPERATURE	-40~70°C	
ROHS	YES	+

DIMENSIONS	TOLERANCES	PROJECTION	TITLE		
ANSI Y14.5M UNITS: MM Pro/E FILE	.X ±0.5 .XX ±0.05 ANGLES ±0.5°		HVSLP 800 08 2 X X XX R/A PLUG ASSEMBLY		
ORIGINAL	THIS DOCUMENT CONTAINS PROPRIETARY INFORMATION WHICH IS THE CONFIDENTIAL PROPERTY OF Amphenol PCD Shenzhen Co.Ltd Amphenol PCD Shenzhen Co.Ltd RESERVES THE RIHGT TO CLARIFY THIS DRAWING		ENGR	CHKD	APPD
			SIZE A3	DWG NO. C-HVSLP800082XXXX	REV 4
			CODE: 58982	SCALE: 1:2	SHEET 1 OF 2

C-HVSLP800082XXXX

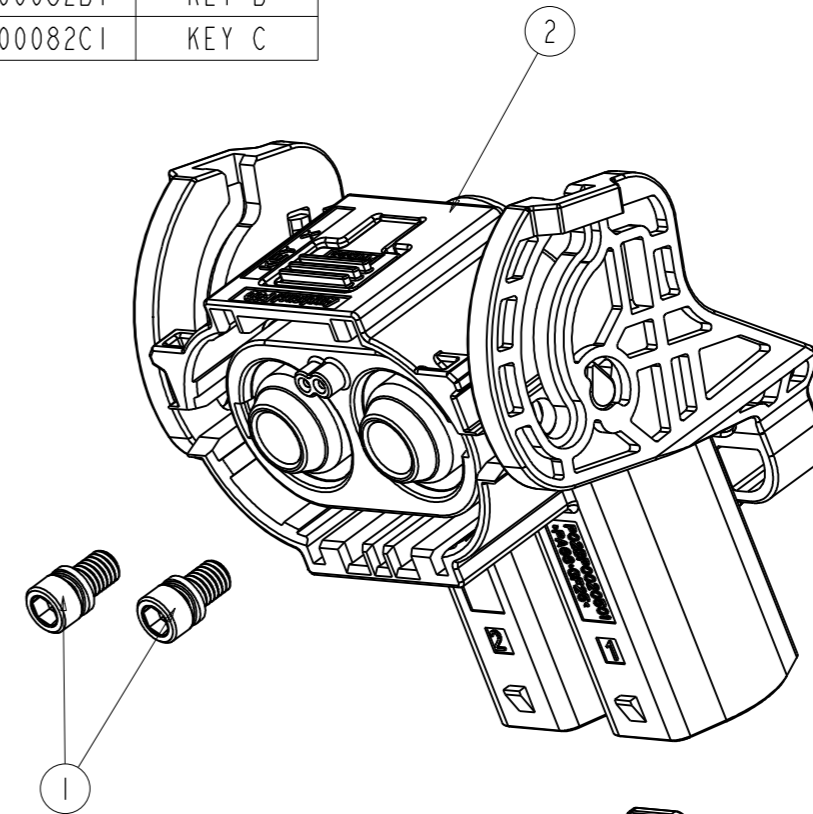
C-HVSLP800082XXXX

4. ASSEMBLY AND DETAIL BOM LIST SHOW

ASSEMBLY P/N	ITEM	COMPONENT P/N	CABLE SIZE	DESCRIPTION	Q'TY
HVSLP800082X1XX	5	C4220036831	50mm ²	END CAP(WIRE OD=16.5±0.3mm)	2
		C4220036832	35mm ²	END CAP(WIRE OD=14.2±0.3mm)	2
		C4220036833	25mm ²	END CAP(WIRE OD=11.9±0.3mm)	2
		C4220036835	25mm ²	END CAP(WIRE OD=13.5±0.3mm)	2
		C4220036836	50mm ²	END CAP(WIRE OD=15.5±0.3mm)	2
	4	C4270036451	50mm ²	SEAL(WIRE OD=16.5±0.3mm)	2
		C4270036452	35mm ²	SEAL(WIRE OD=14.2±0.3mm)	2
		C4270036453	25mm ²	SEAL(WIRE OD=11.9±0.3mm)	2
		P03BR00141	25mm ²	SEAL(WIRE OD=13.5±0.3mm)	2
		P03BR00197	50mm ²	SEAL(WIRE OD=15.5±0.3mm)	2
	3	P03BS0007302	16~25mm ²	LUG FOR AR PLUG (TIN PLATED)	2
		P03BS0007301	35~50mm ²	LUG FOR AR PLUG (TIN PLATED)	2
	2	HVSLP800082X1	N/A	MIAN BODY & WITH HIVL	1
	1	P03BM00206	N/A	BODY&HVIL	2

HVSLP800082X1 SELECTION:

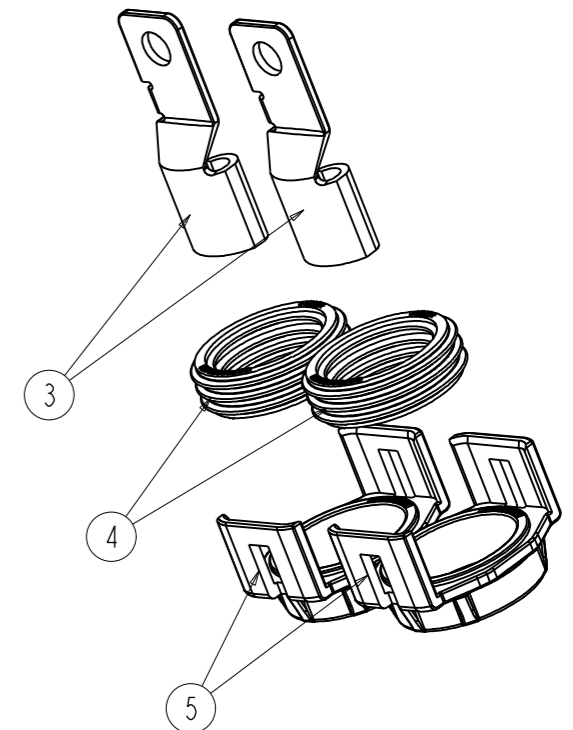
MIAN BODY P/N	KEY X
HVSLP800082A1	KEY A
HVSLP800082B1	KEY B
HVSLP800082C1	KEY C



ASSEMBLY P/N	ITEM	COMPONENT P/N	CABLE SIZE	DESCRIPTION	Q'TY
HVSLP800082X0XX	5	C4220036831	50mm ²	END CAP(WIRE OD=16.5±0.3mm)	2
		C4220036832	35mm ²	END CAP(WIRE OD=14.2±0.3mm)	2
		C4220036833	25mm ²	END CAP(WIRE OD=11.9±0.3mm)	2
		C4220036835	25mm ²	END CAP(WIRE OD=13.5±0.3mm)	2
		C4220036836	50mm ²	END CAP(WIRE OD=15.5±0.3mm)	2
	4	C4270036451	50mm ²	SEAL(WIRE OD=16.5±0.3mm)	2
		C4270036452	35mm ²	SEAL(WIRE OD=14.2±0.3mm)	2
		C4270036453	25mm ²	SEAL(WIRE OD=11.9±0.3mm)	2
		P03BR00141	25mm ²	SEAL(WIRE OD=13.5±0.3mm)	2
		P03BR00197	50mm ²	SEAL(WIRE OD=15.5±0.3mm)	2
	3	P03BS0007302	16~25mm ²	LUG FOR AR PLUG (TIN PLATED)	2
		P03BS0007301	35~50mm ²	LUG FOR AR PLUG (TIN PLATED)	2
	2	HVSLP800082X0	N/A	MIAN BODY & WITH HIVL	1
	1	P03BM00206	N/A	BODY&HVIL	2

HVSLP800082X0 SELECTION:

MIAN BODY P/N	KEY X
HVSLP800082A0	KEY A
HVSLP800082B0	KEY B
HVSLP800082C0	KEY C



5. TERMINALS NEED TO BE SEPARATE, THE NUMBER OF STAMPING TERMINASL IS 200PCS PER ROLL

SIZE	DWG NO.	REV
A3	C-HVSLP800082XXXX	4
CODE: 58982	SCALE: 1:2	SHEET 2 OF 2

C-HVSLP800082XXXX

C-HVSLP800082XXXX