

C-HVPC7R81XXX

C-HVPC7R81XXX

HVPC7R8 1 X XX

A:CODING A
B:CODING B
C:CODING C
N:CODING N

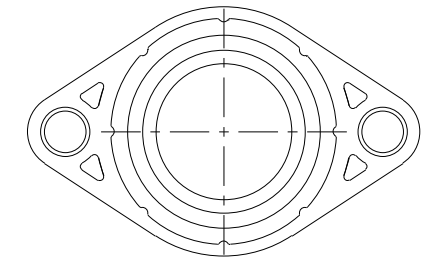
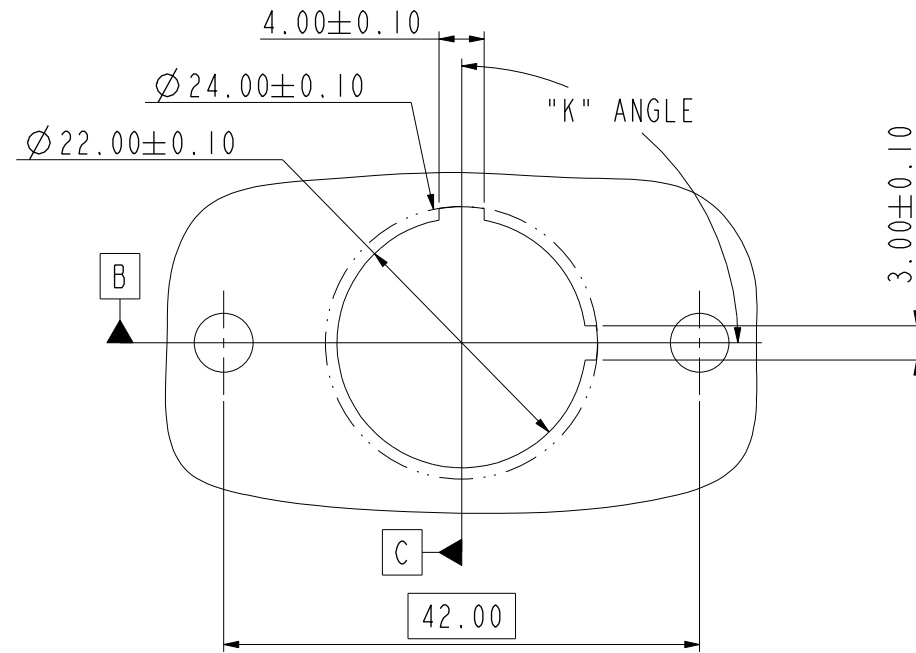
35: FOR 35mm² Shielded WIRE;OD=14.2±0.4mm
50: FOR 50mm² Shielded WIRE;OD=16.5±0.4mm

TECHNICAL DATA	
CURRENT RATE(35MM ² CABLE)	150A
CURRENT RATE(50MM ² CABLE)	180A
UL RATING VOLTAGE (OVERVOLTAGE CATEGORY II POLLUTION DEGREE 2)	1000V DC
OPERATING TEMPERATURE	-40~125°C
DIELECTRIC WITHSTANDING VOLTAGE	3000V AC
INSULATION RESISTANCE	2000MΩ MIN. 25°C, NO CABLE
SHIELDING	YES
WATERPROOF(MATED CONDITION)	IP 67 ; IPX9K

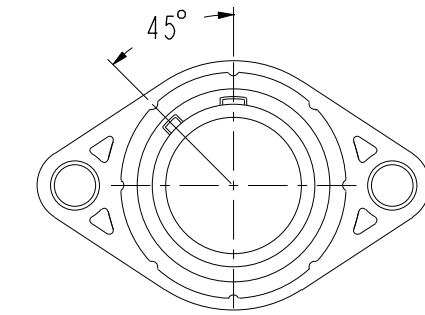
DIMENSIONS	TOLERANCES	PROJECTION	TITLE		
ANSI Y14.5M UNITS:MM Pro/E FILE	.X ±0.1 .XX ±0.05 ANGLES ±0.5°		HVPC SERIES 1 POS 8MM STRAIGHT STYLE		
ORIGINAL	THIS DOCUMENT CONTAINS PROPRIETARY INFORMATION WHICH IS THE CONFIDENTIAL PROPERTY OF AMPHENOL PCD INC., BEVERLY, MA	SPECIFICATION DRAWING ENGR			
		CHKD APPD	B	C-HVPC7R81XXX	3
			CODE: 58982	SCALE: NONE	SHEET 1 OF 2

C-HVPC7R81XXX

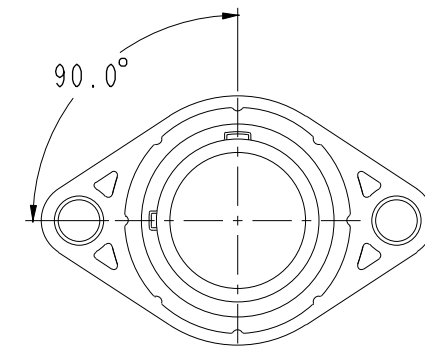
CODING	"K" ANGLE
CODING N	N/A
CODING A	45°
CODING B	90°
CODING C	135°



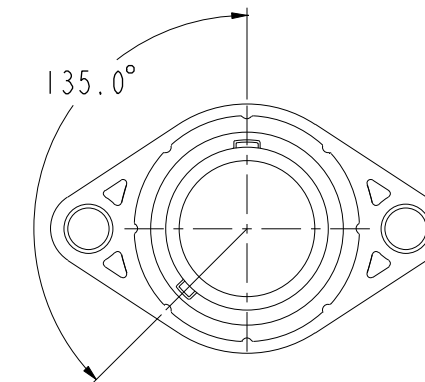
CODING N



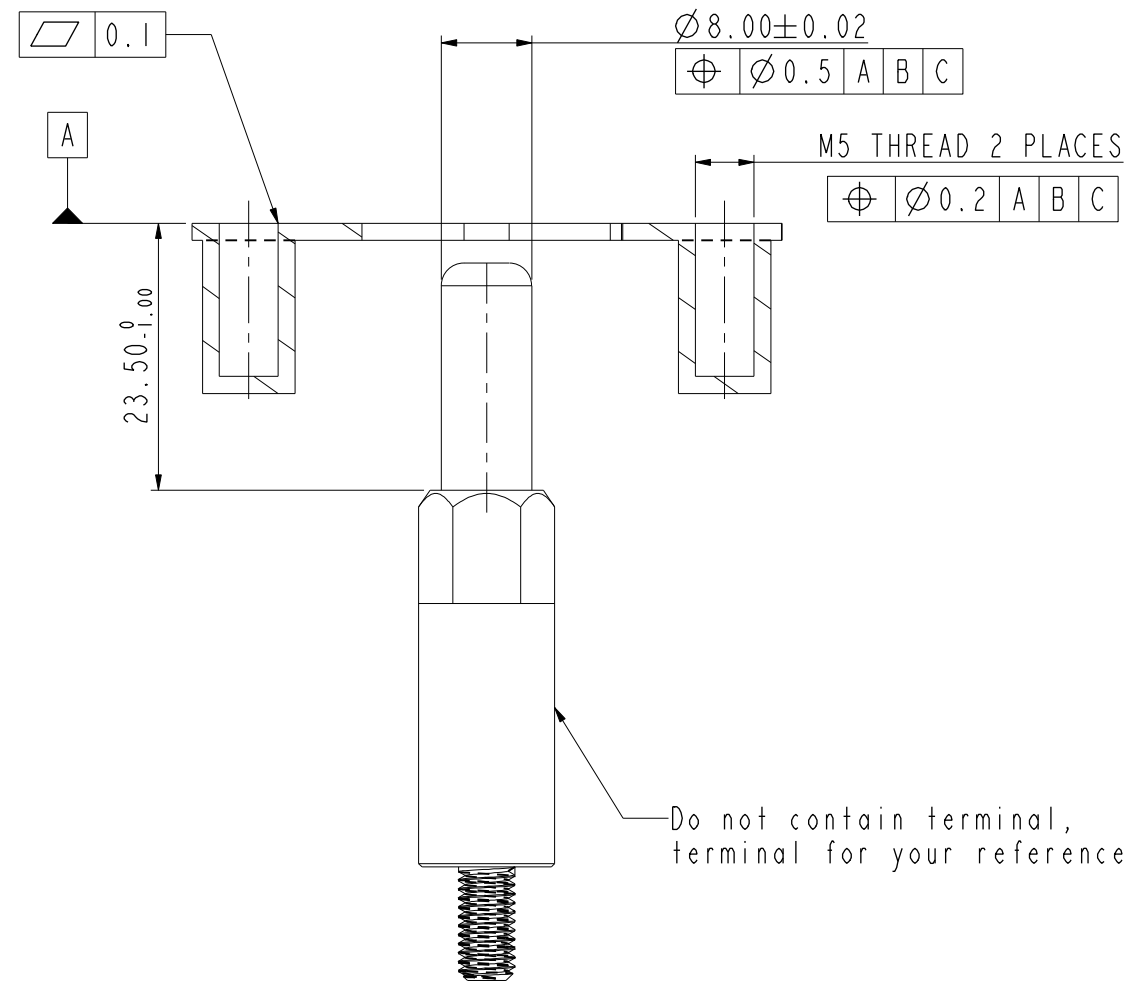
CODING A



CODING B



CODING C



PANEL DRAWING

C-HVPC7R81XXX

C-HVPC7R81XXX

SIZE	DWG NO.	REV
B	C-HVPC7R81XXX	3
CODE: 58982	SCALE: 1:1	SHEET 2 OF 2