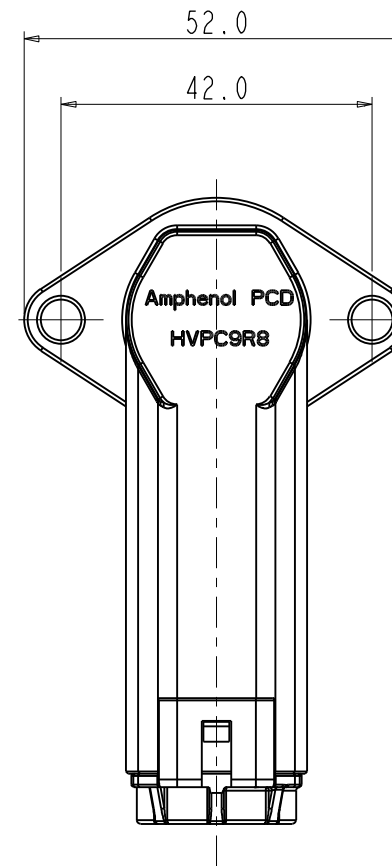
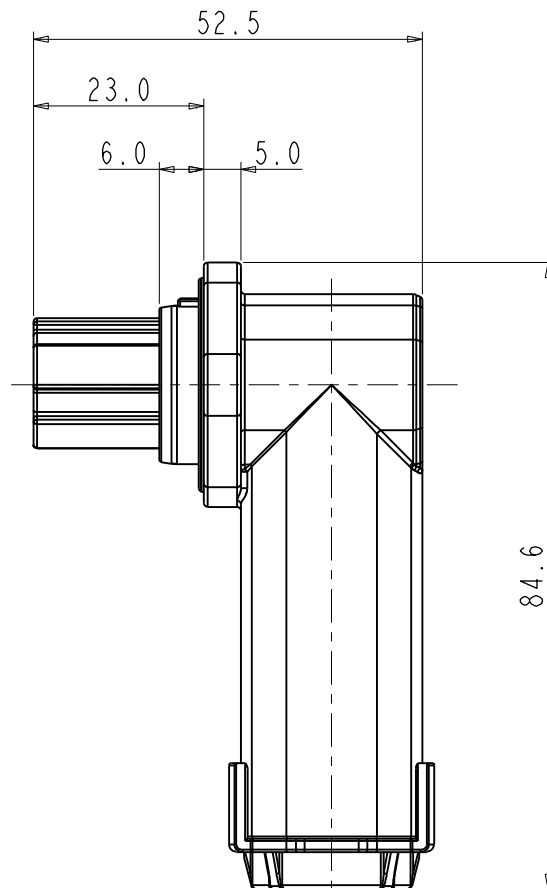
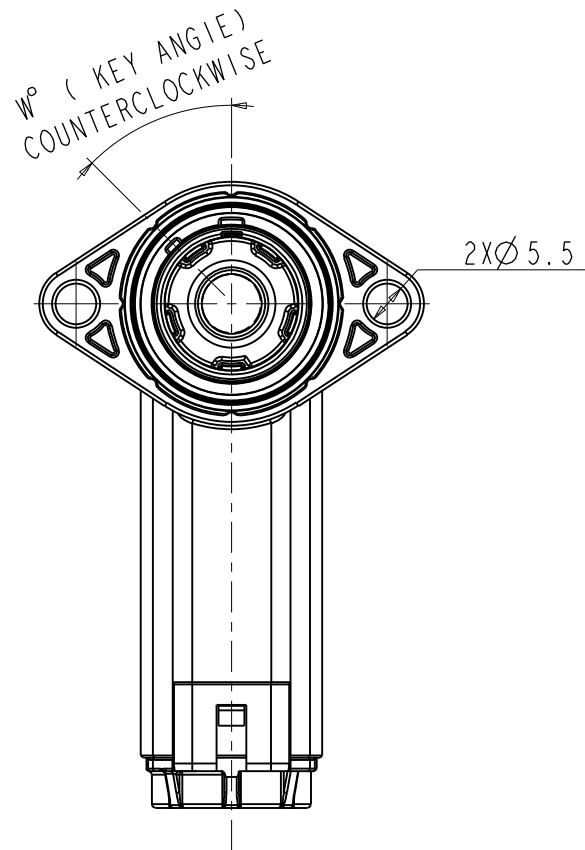


C-HVPC9R81XXX

REV	ECN	DESCRIPTION	DATE	MODIFIED
1		RELEASE	07/07/20	Holiday

Amphenol PCD SZ
ORIGINAL
PDF Format
R&D



安费诺精密连接器(深圳)有限公司
Amphenol PCD Shenzhen

受控文件

2020年7月22日

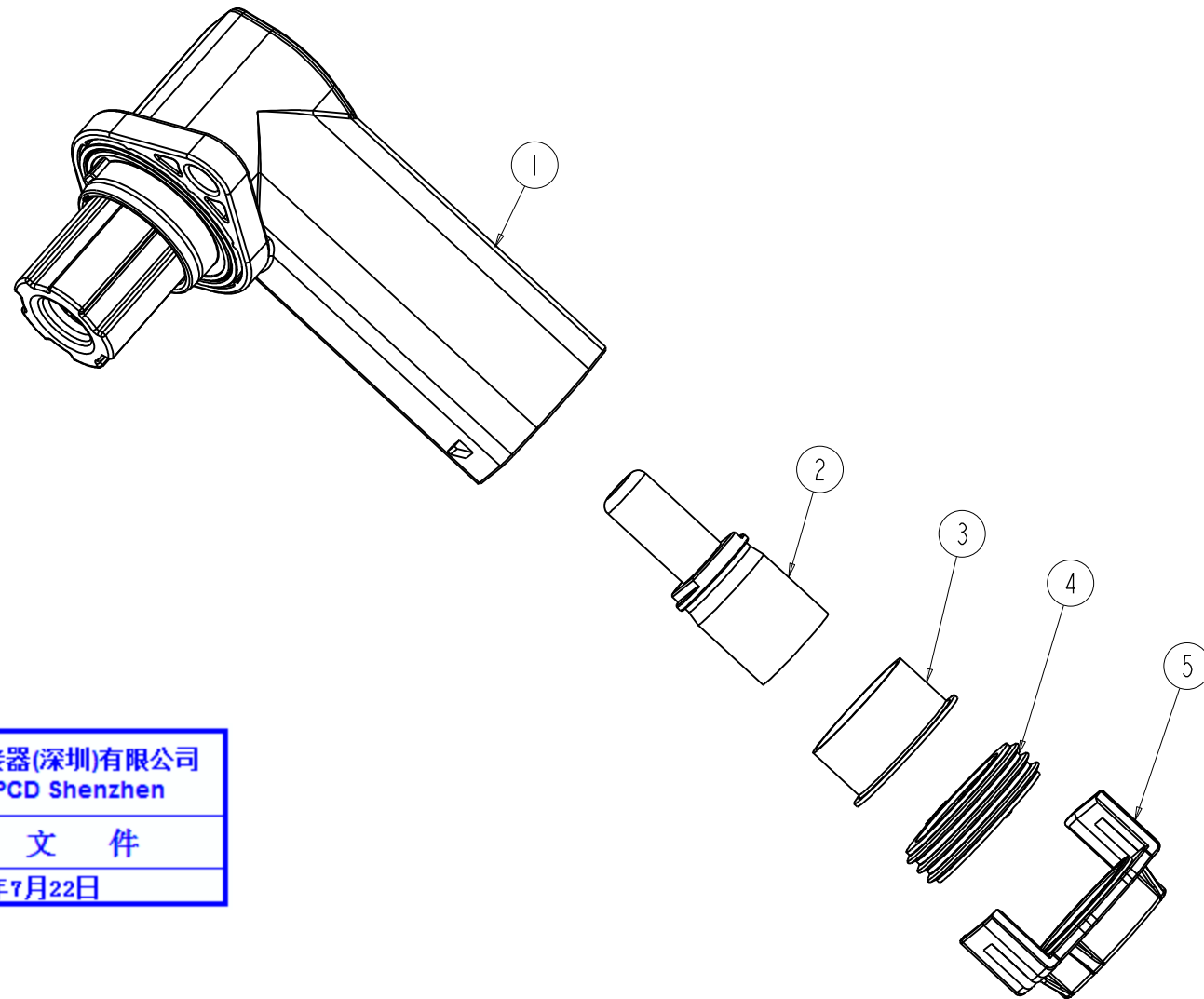
C-HVPC9R81XXX

C-HVPC9R81XXX

TECHNICAL DATA		REMARK
CURRENT RATE(35MM ² CABLE)	150A	+
CURRENT RATE(50MM ² CABLE)	180A	+
UL RATING VOLTAGE (OVERVOLTAGE CATEGORY II POLLUTION DEGREE 2)	1000V DC	+
OPERATING TEMPERATURE	-40~125°C	
DIELECTRIC WITHSTANDING VOLTAGE	3000V AC(RMS)	+
INSULATION RESISTANCE	100MΩ MIN @25°C	+
DURABILITY	50 CYCLES	◎
SHIELDING	YES	
WATERPROOF(MATED CONDITION)	IP 67 & IPX9K	+
AMBIENT TEMPERATURE	-40~70°C	
PROTECTION LEVEL	IP2XB	+
RoHS	YES	+

HVPC9R8 | X XX
 A: CODING A (W=45°) 35: FOR 35mm² Shielded WIRE; OD=14.2±0.4mm
 B: CODING B (W=90°) 50: FOR 50mm² Shielded WIRE; OD=16.5±0.4mm
 C: CODING C (W=135°)
 D: CODING D (W=180°)
 E: CODING E (W=225°)

DIMENSIONS	TOLERANCES	PROJECTION	TITLE		
ANSI Y14.5M UNITS: MM Pro/E FILE	X ±0.5 XX ±0.05 ANGLES ±2°		Amphenol PCD Shenzhen		
ORIGINAL	THIS DOCUMENT CONTAINS PROPRIETARY INFORMATION WHICH IS THE CONFIDENTIAL PROPERTY OF AMPHENOL PCD SHENZHEN	CHKD APPD	HVPC 1 POS		
			SIZE A3	DWG NO. C-HVPC9R81XXX	REV 1
			CODE: 58982	SCALE: 1:1	SHEET 1 OF 2



安费诺精密连接器(深圳)有限公司
Amphenol PCD Shenzhen

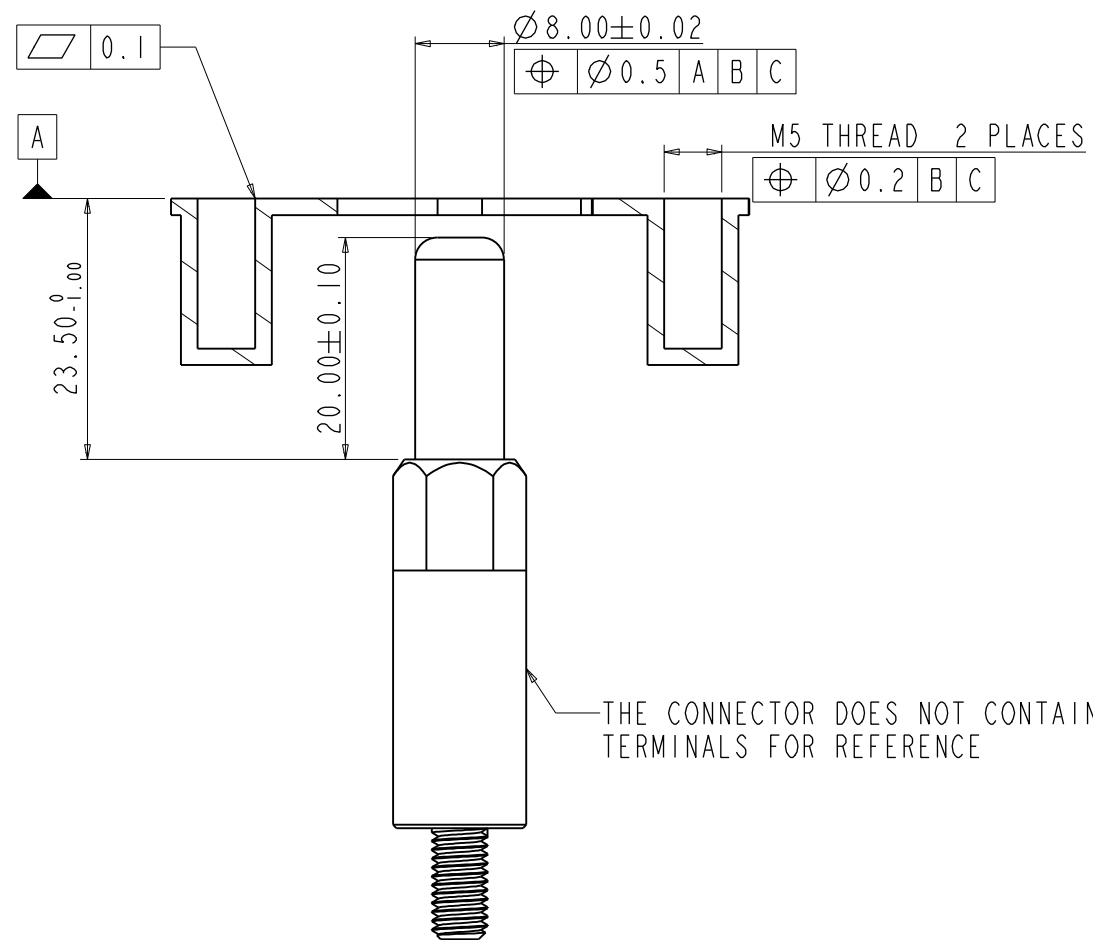
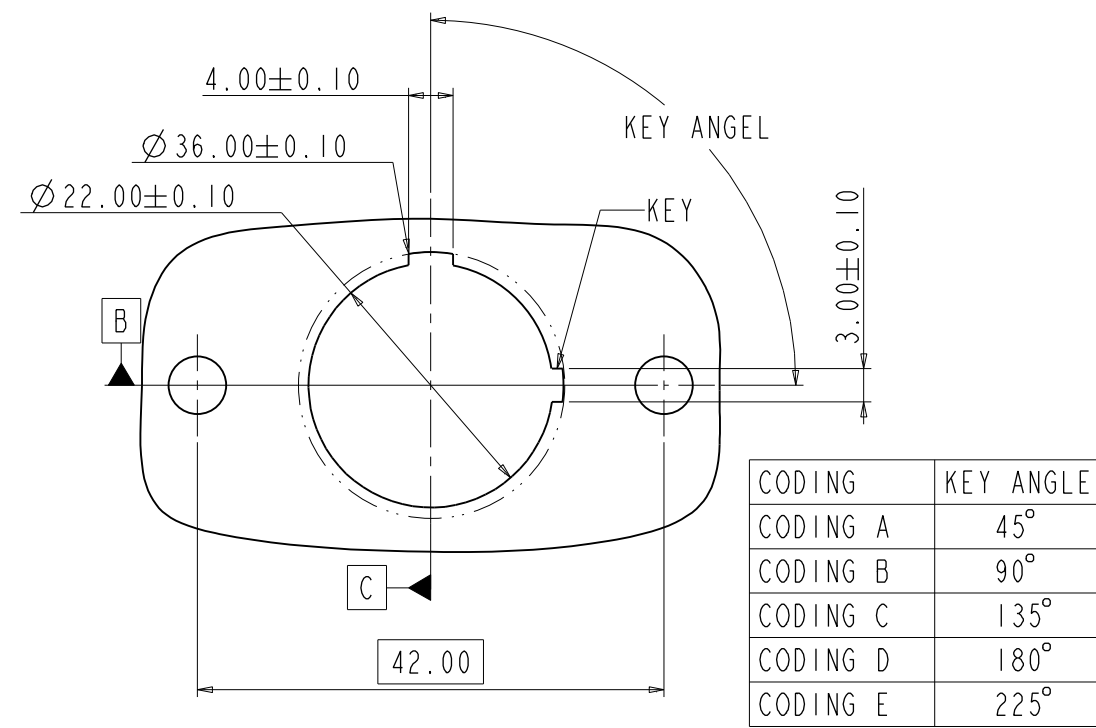
受控文件

2020年7月22日

ITEM	P/N	REMARK	DESCRIPTION	QTY
1	SEE TABLE 1	KEYS	SOCKET INSERT	1
2	C2000067321	35mm ²	PIN	1
	C2000067322	50mm ²		
3	C3100050132	35mm ²	TUBE	1
	C3100050131	50mm ²		
4	C2700067312	35mm ²	SEAL	1
	C2700067311	50mm ²		
5	C2200036832	35mm ²	END CAP	1
	C2200036831	50mm ²		

TABLE 1

KEY X	P/N(FOR 35MM ²)	P/N(FOR 50MM ²)
KEY A	P02B00005801	P02B00005806
KEY B	P02B00005802	P02B00005807
KEY C	P02B00005803	P02B00005808
KEY D	P02B00005804	P02B00005809
KEY E	P02B00005805	P02B00005810



PANEL DRAWING

SIZE	DWG NO.	REV
A3	C-HVPC9R81XXX	1
CODE: 58982	SCALE: 1:1	SHEET 2 OF 2