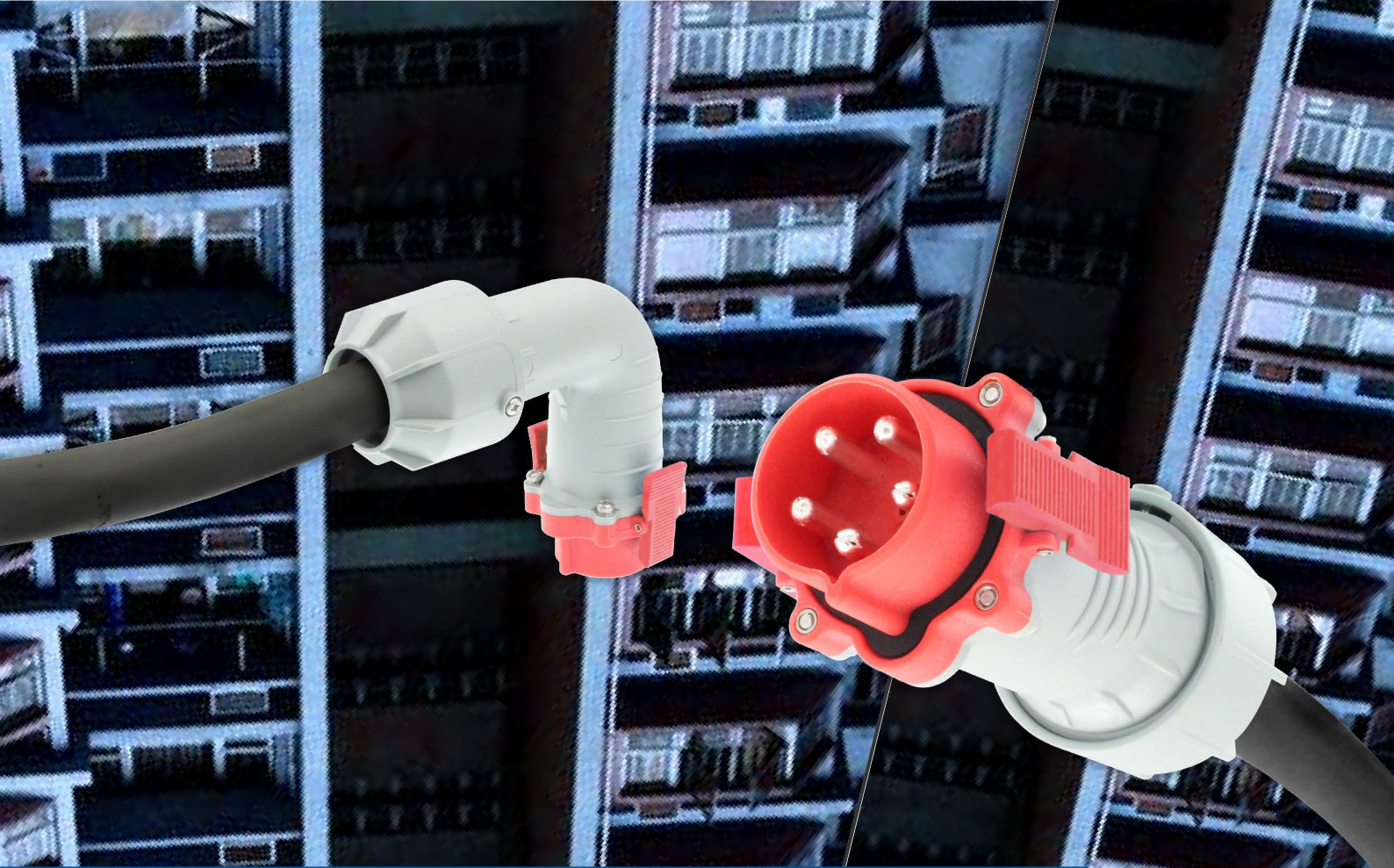




AMPHENOL PCD SHENZHEN



CPC

CIRCULAR POWER CONNECTOR

www.amphenolpcd.com.cn

INDUSTRIAL@AMPHENOL
TRUSTED GLOBALLY

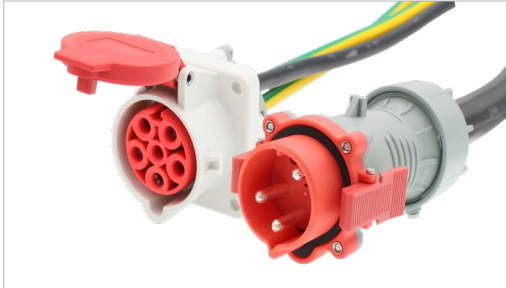
CPC 50A

SPECIFICATIONS	2
PLUG (STRAIGHT)	3
PLUG (RIGHT ANGLE)	4
RECEPTACLE	5
HOW TO ORDER	6

CPC 80A

SPECIFICATIONS	7
PLUG (STRAIGHT)	8
PLUG (RIGHT ANGLE)	9
RECEPTACLE	10
HOW TO ORDER	11

CPC 50A SPECS

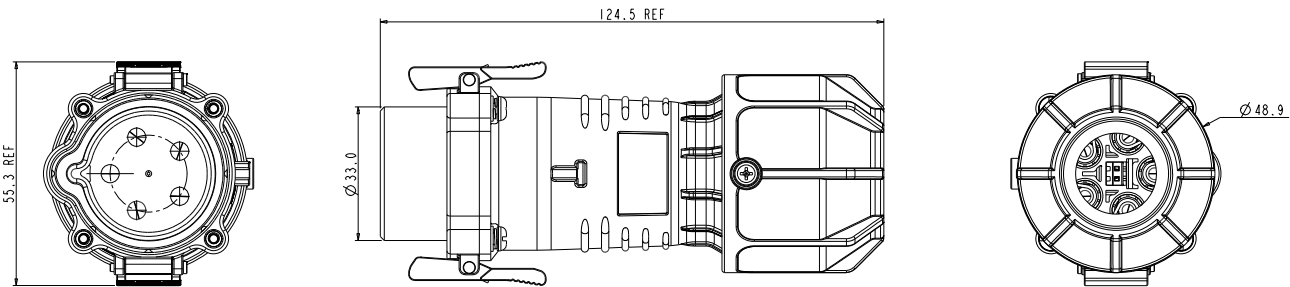
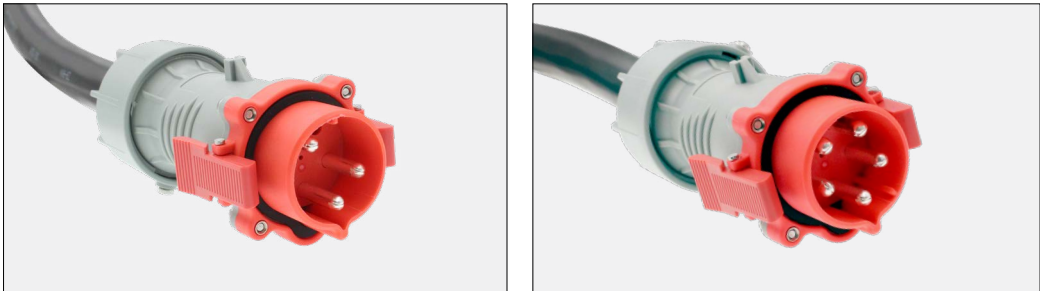


KEY FEATURES

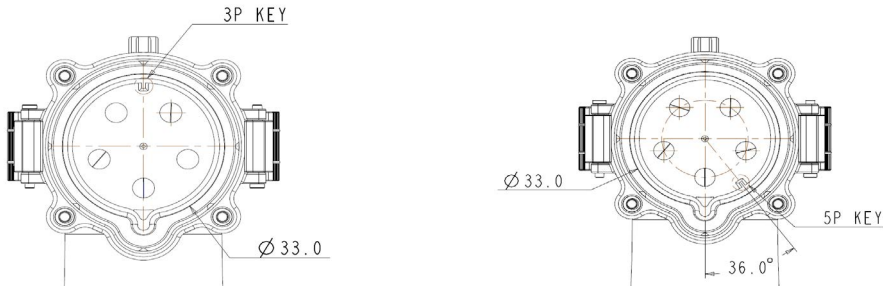
- NTC Thermistor
- Easy and fast plugging / unplugging
- Mechanical cover closing system
- Keyed connector
- Voltage color code: Red
- Smallest bending radius 50mm
- Compact and robust
- Cost-effective
- Designed for use in big data centers

MECHANICAL	
Mating cycles	200 Max
Wire range	3-PIN: Ø17.5 to Ø19.5mm 5-PIN: Ø20.0 to Ø23.0mm
Connection type	3-PIN or 5-PIN
ELECTRICAL	
Rated voltage	480V
Rated current	50A
Insulator resistance	100MΩ
Dielectric withstand voltage	2000V/min
ENVIRONMENTAL	
IP rating	IP44
Touch-proof	IP2X (for receptacle)
Operating temperature	-40°C to 105°C
Inflammability	UL94 V-0
Salt spray	48h
RoHS	Yes
MATERIAL	
Shell	PBT / PA
Contacts	Copper
Insulator	Flame-retardant thermoplastic composition
Sealing	Rubber

Straight Plugs



Keying Positions



3-PIN - Keying position

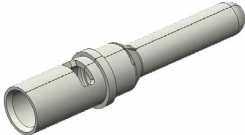
5-PIN - Keying position

Contacts

The connectors do **not** include contacts. Please order them separately (ref: P/N below)

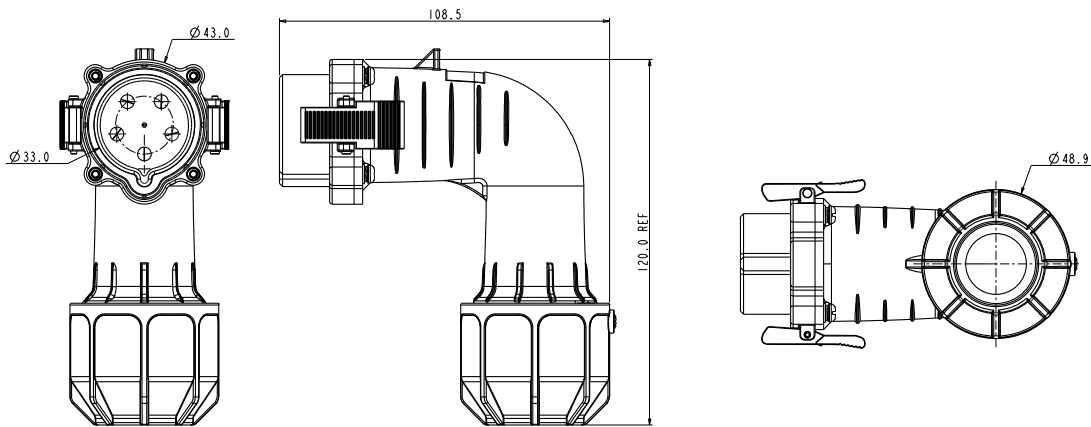
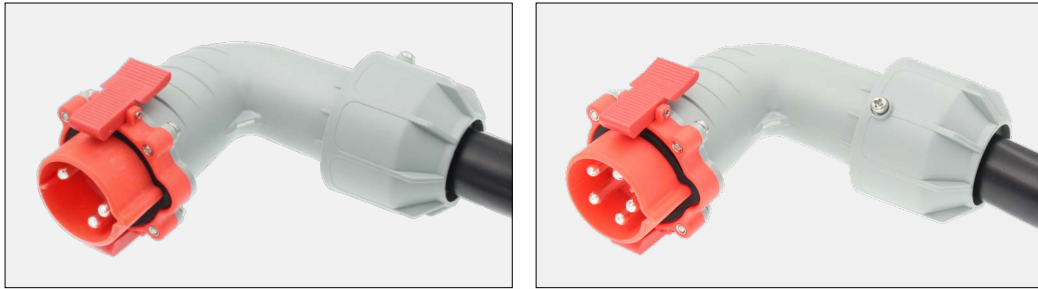
Pin contact: crimping

P/N: P01ES00012

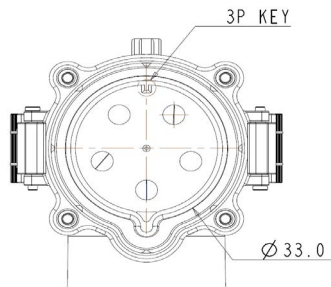


CPC 50A RIGHT-ANGLE PLUGS

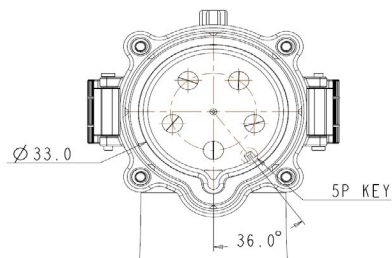
Right-Angle Plugs



Keying Positions



3-PIN - Keying position



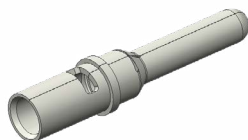
5-PIN - Keying position

Contacts

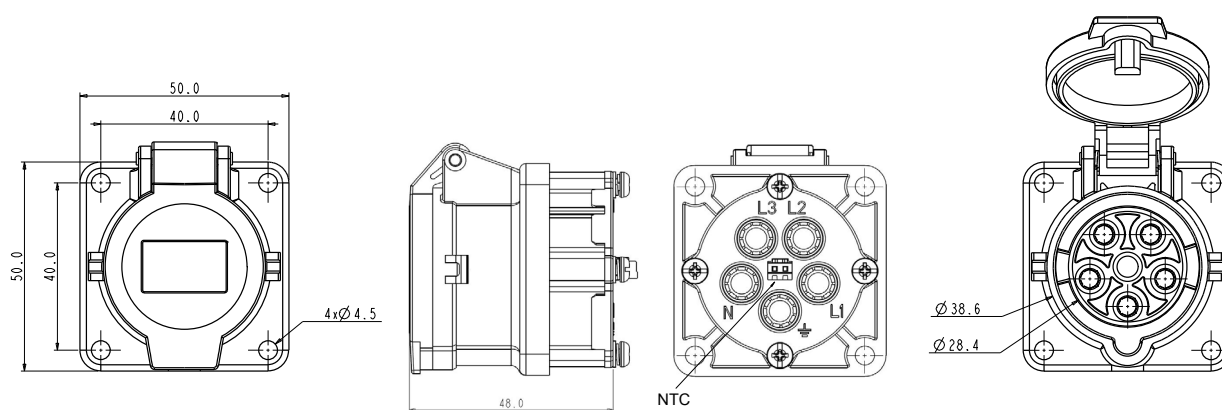
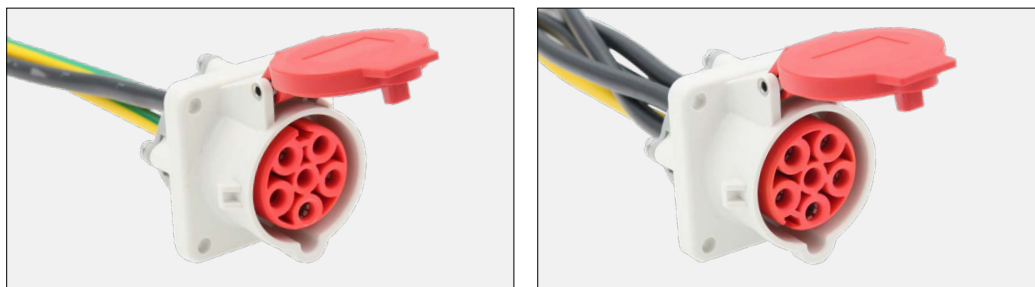
The connectors do **not** include contacts. Please order them separately (ref: P/N below)

Pin contact: crimping

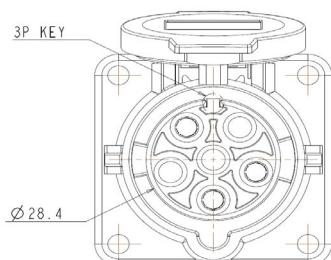
P/N: P01ES00012



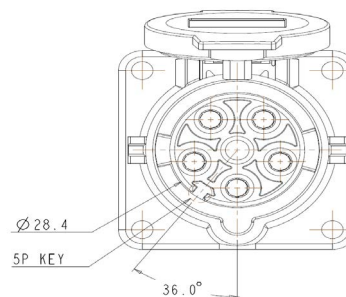
Receptacles



Keying Positions



3-PIN - Keying position



5-PIN - Keying position

Contacts

The connectors do **not** include contacts. Please order them separately (ref: P/N below)

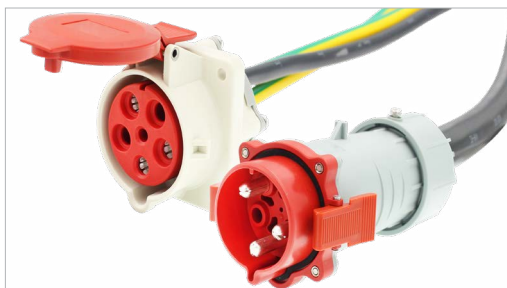
Socket contact: crimping

P/N: P01ES00020



CPC 50A HOW TO ORDER

		CPC	05	2	1	00
Position:	03: 3-PIN 05: 5-PIN					
Rated current:	2: 50A					
Product type:	1: Receptacle 2: Straight plug 3: Right-angle plug					
Temperature sensor:	00: With NTC (standard)					



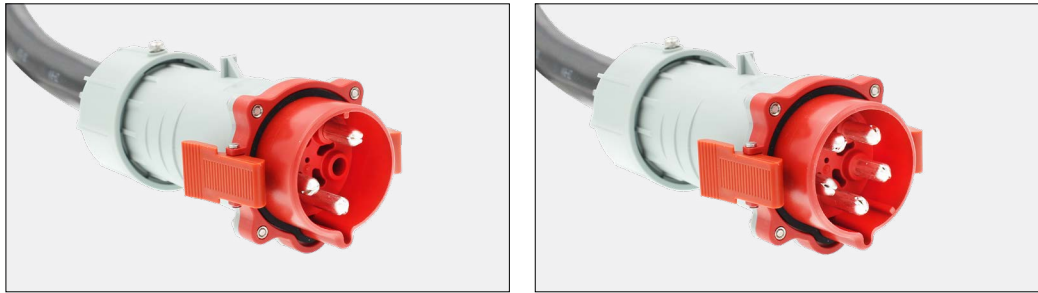
KEY FEATURES

- NTC Thermistor
- Easy and fast plugging / unplugging
- Mechanical cover closing system
- Keyed connector
- Voltage color code: Red
- Smallest bending radius 60mm
- Compact and robust
- Cost-effective
- Designed for use in big data centers

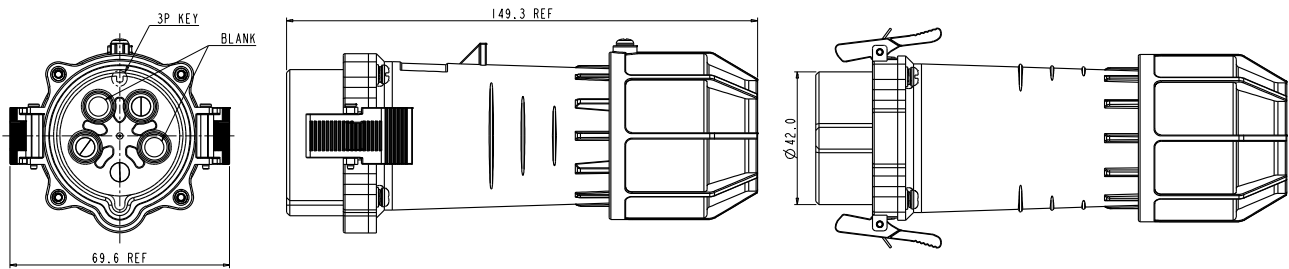
MECHANICAL	
Mating cycles	200 Max
Wire range	3-PIN: Ø19.0 to Ø23.0mm 5-PIN: Ø23.0 to Ø27.0mm
Connection type	3-PIN or 5-PIN
ELECTRICAL	
Rated voltage	480V
Rated current	80A
Insulator resistance	100MΩ
Dielectric withstand voltage	2000V/min
ENVIRONMENTAL	
IP rating	IP44
Touch-proof	IP2X (for receptacle)
Operating temperature	-40°C to 105°C
Inflammability	UL94 V-0
Salt spray	48h
RoHS	Yes
MATERIAL	
Shell	PBT / PA
Contacts	Copper
Insulator	Flame-retardant thermoplastic composition
Sealing	Rubber

CPC 80A STRAIGHT PLUGS

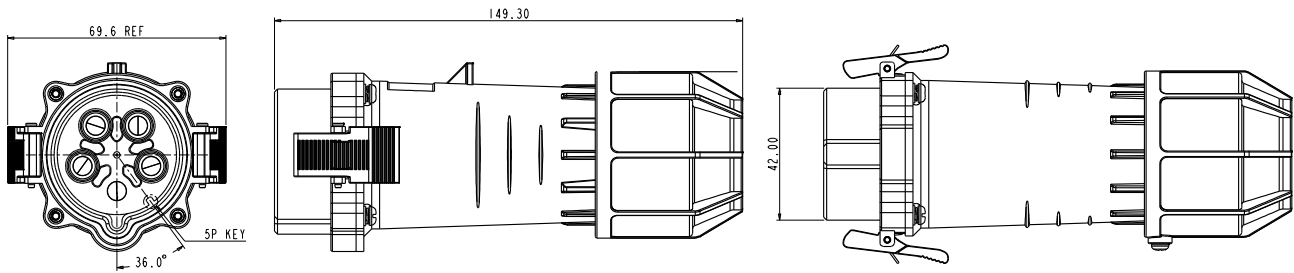
Straight Plugs



3-PIN



5-PIN



Contacts

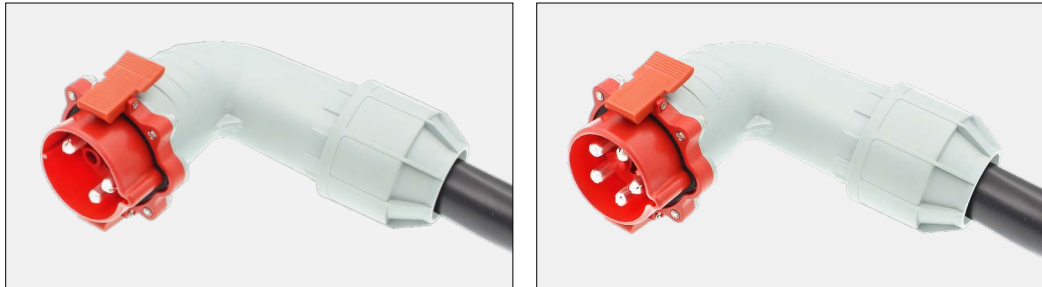
The connectors do **not** include contacts. Please order them separately (ref: P/N below)

Pin contact: crimping

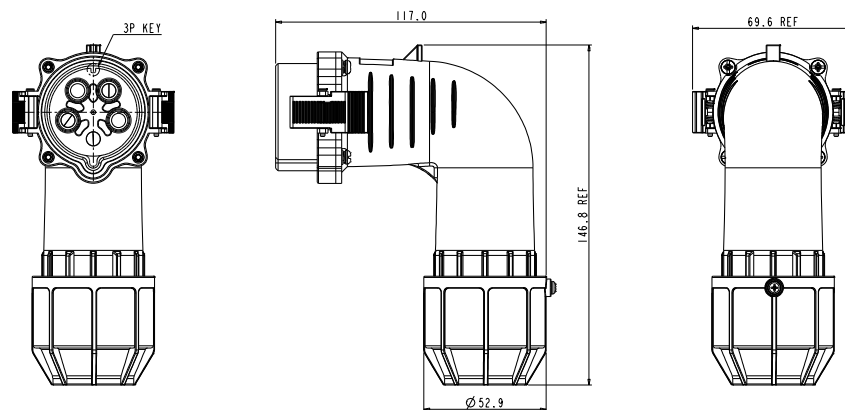
P/N: P01ES00016



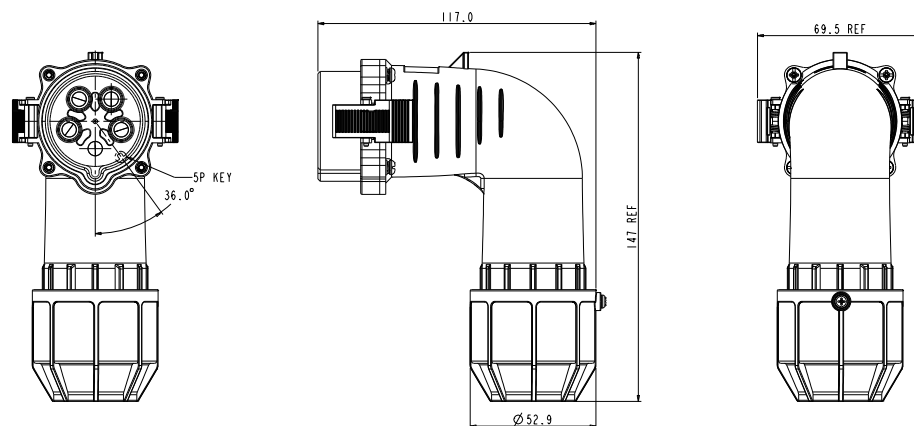
Right-Angle Plugs



3-PIN



5-PIN



Contacts

The connectors do **not** include contacts. Please order them separately (ref: P/N below)

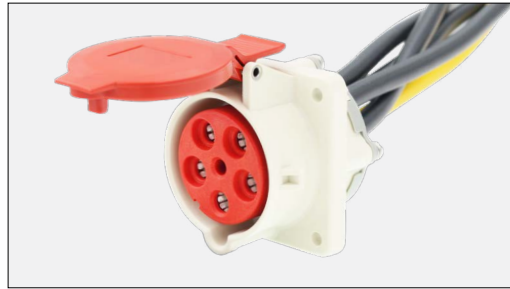
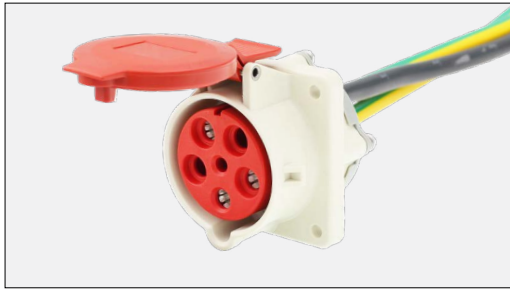
Pin contact: crimping

P/N: P01ES00016

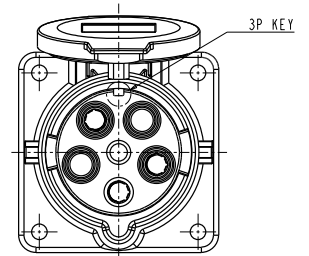
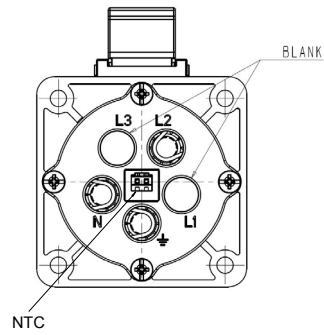
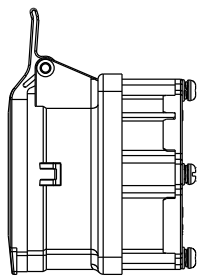
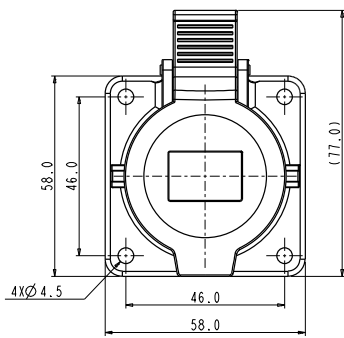


CPC 80A RECEPTACLES

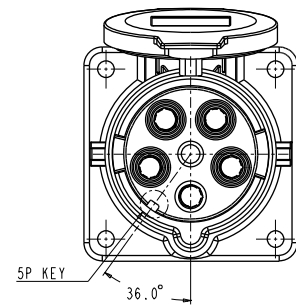
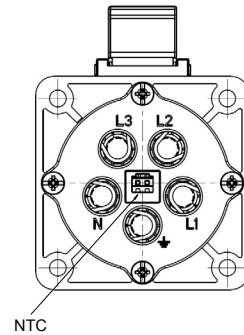
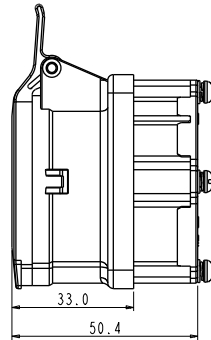
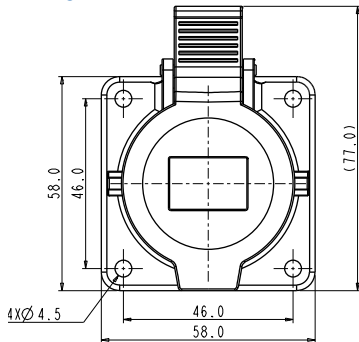
Receptacles



3-PIN



5-PIN



Contacts

The connectors do **not** include contacts. Please order them separately (ref: P/N below)

Socket contact: crimping

P/N: P01ES00015



		CPC	05	3	1	00
Position:	03: 3-PIN 05: 5-PIN					
Rated current:	3: 80A					
Product type:	1: Receptacle 2: Straight plug 3: Right-angle plug					
Temperature sensor:	00: With NTC (standard)					

Amphenol PCD Shenzhen

Building C
Dagang Industrial Zone
Guangming District
Shenzhen 518132
China

Tel.: +86 755-8173-8000
Fax: +86 755-8173-8180
Email: inquiry@amphenolpcd.com.cn

www.amphenolpcd.com.cn

Notes:

Amphenol PCD Shenzhen has made every effort to ensure that the information contained in this catalog is accurate at the time of publication. Specifications or information stated in this publication are subject to change without notice.

Amphenol PCD Shenzhen reserves the right to clarify this catalog.