



EMP

Electrical Motor Power



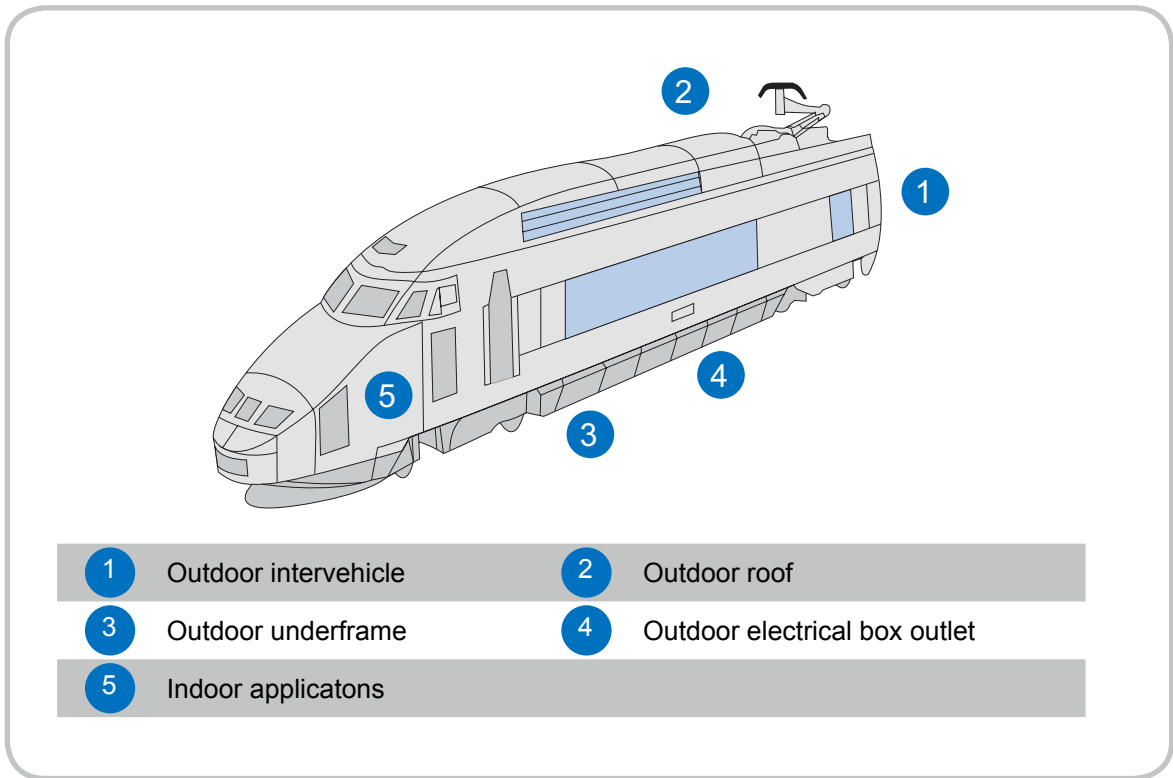
PRODUCT PROFILE

EMP (Electrical Motor Power) provides a high voltage and huge current connection for RMT applications. It's a rectangular connector, and with high strength stainless steel screw/nut mechanism, provides safety and reliability under harsh environmental application: motor power distributions.

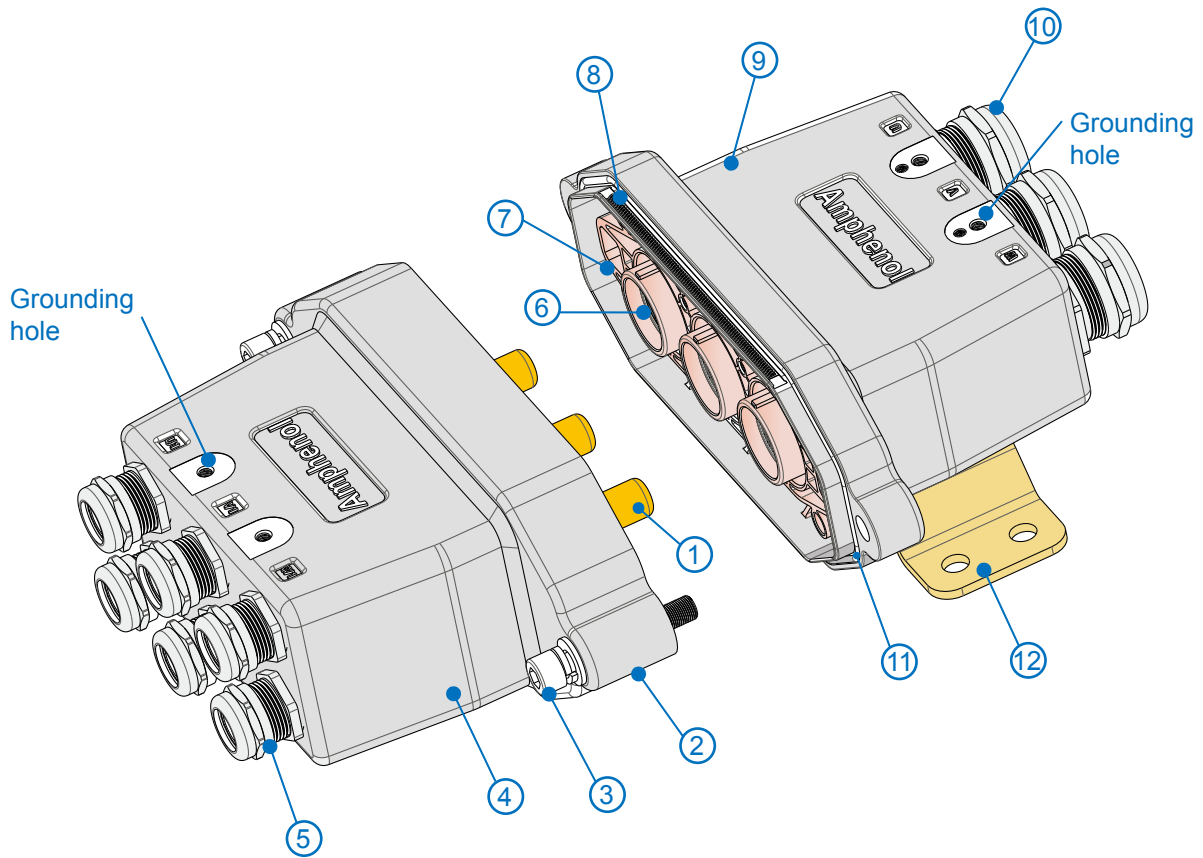
Amphenol EMP series product offers a wide range of current up to 700 A and 3000 V max, high voltage, various type of codings & shielding and un-shielding shells. Spring fingers on plug shell provides a better shielding effectiveness.



Application



P/N	Applications					Shielding	Applicable cable cross-section (mm ²)
	1	2	3	4	5		
EMP SF 33 SC R10 DXX		√	√			√	25 to 70
EMP SM 33 PC R10 DXX		√	√			√	25 to 70
EMP SF 33 SC R18 DXX		√	√			√	150 to 240
EMP SM 33 PC R18 DXX		√	√			√	150 to 240
EMP SF 3C DXX		√	√			√	50 to 185
EMP SM 6C DXX		√	√			√	25 to 70
EMP SF 44 SC R10 DXX		√	√			√	25 to 70
EMP SM 44 PC R10 DXX		√	√			√	25 to 70



Item	Description	Material
1	Pin Contacts	High conductivity copper alloy
2	Plug shell	High strength aluminium alloy
3	Coupling kits	High strength stainless stell screw kits
4	Plug Shell	High strength aluminium alloy
5	Gland	Copper alloy with EMC spring shield / unshield
6	Socket contacts	High conductivity copper alloy with RADSOK® technology
7	Insert	Thermoplastics
8	Finger	Beryllium copper alloy
9	Rece. shell	High strength aluminium alloy shield / unshield
10	Gland	Copper alloy with EMC spring
11	O-Ring	Rubber (EN45545)
12	Bracket	High strength steel or integrated

EMP 3 in-6 out connectors

2000V 500A

Specially for power connections from inverters toward motors:
Splitting device (3 lines in, 6 lines out)

P/N: EMP SF 3C DXXX (Receptacle)
EMP SM 6C DXXX (Plug)

Contact type: D120 means 120mm²/Crimp



Material

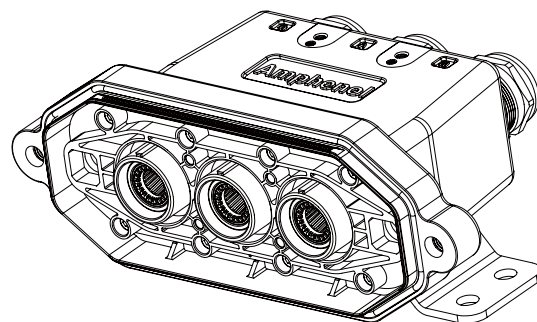
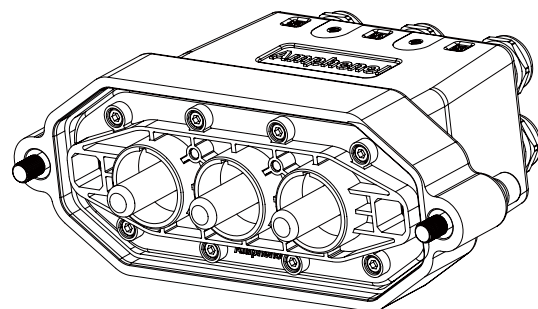
- Shell: Aluminium alloy
- Insert: Thermoplastics
- Contact: Copper alloy / silver plated / crimp type
- Cable gland: Nickel plated brass

Mechanical and Climatical

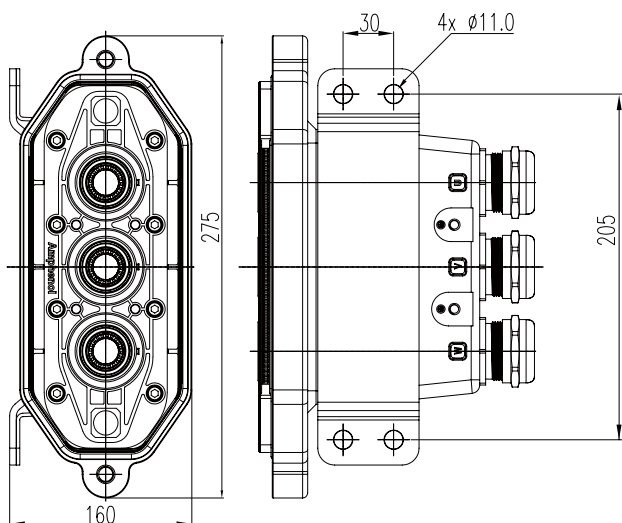
- Vibrations and Shocks: Category 1, Class B (EN61373)
- Operating temperature: -55°C to 125°C
- IP Class: IP67
- Durability: 500 cycles

Electrical data

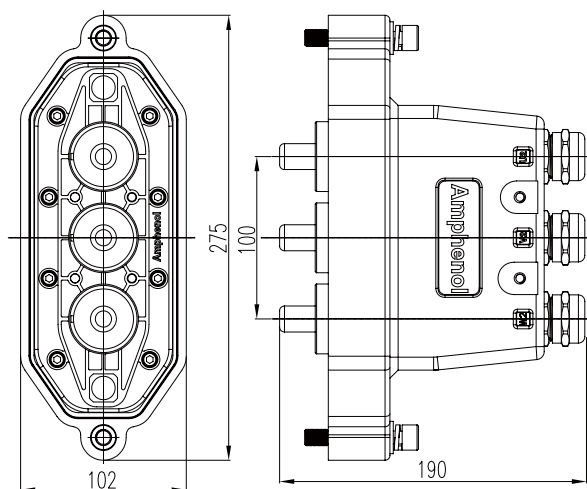
- Rated voltage: 2000 V r.m.s
- Rated current: 500A max.
- Receptacle side-3 cables: 50 to 185 mm²
- Plug side- 6 cables: 25 to 70 mm²
- Insulation resistance: 5000 MΩ Min.
- Contact resistance: <0.3 mΩ



Dimensions (mm)



EMP SF 3C DXXX Receptacle



EMP SM 6C DXXX Plug

EMP 3 in 6 out (RECEPTACLE)

2000V 500A

Linear power connections for motors 3 lines in, 6 lines out

P/N: EMP SF 3CBG DXXX (Receptacle)
EMP SM 6CBG DXXX (Plug)

Contact type: D120 means 120mm²/Crimp
Shell Color: BG means Black + Grey

Material

- Shell: Aluminium alloy
- Insert: Thermoplastics EN45545
- Contact: Copper alloy / silver plated / crimp type
- Cable gland: Nickel plated brass

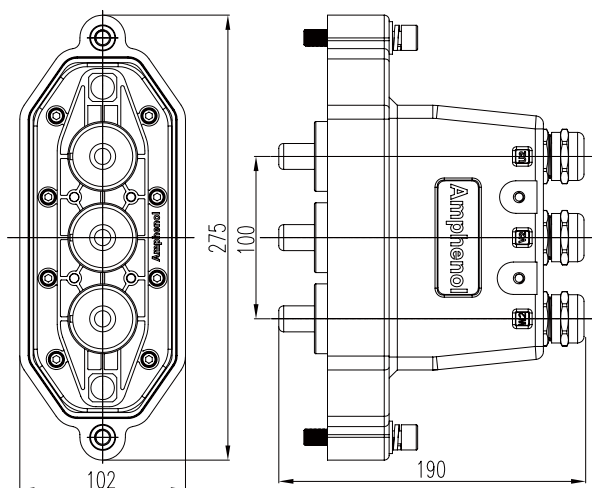
Mechanical and Climatical

- Vibrations and Shocks: Category 1, Class B (EN61373)
- Operating temperature: -55°C to 125°C
- IP Class: IP67
- Durability: 500 cycles

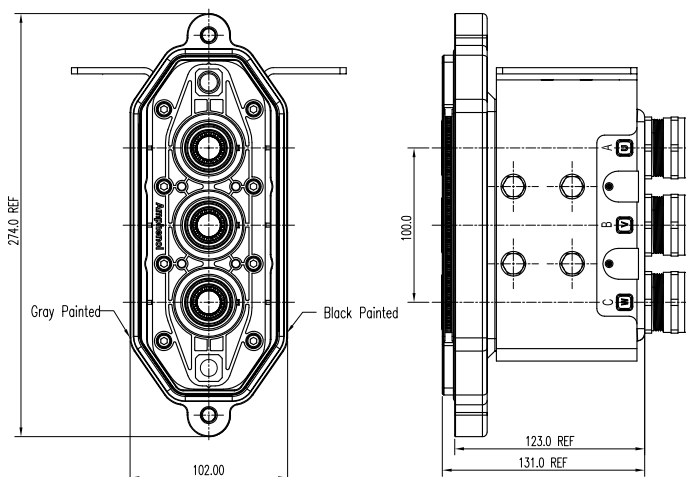
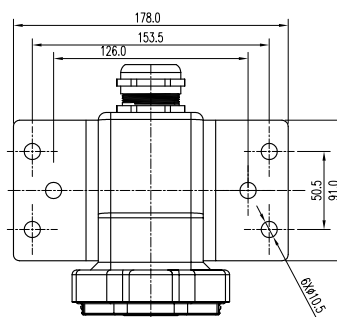
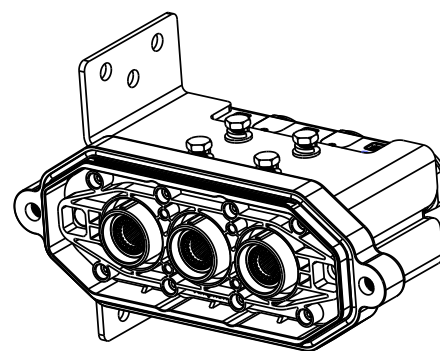
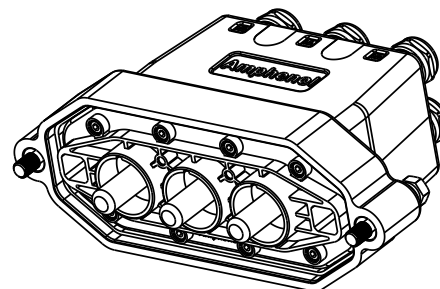
Electrical data

- Rated voltage: 2000 V r.m.s
- Rated current: 500A max.
- Receptacle side-3 cables: 50 to 185 mm²
- Plug side- 6 cables: 25 to 70 mm²
- Insulation resistance: 5000 MΩ Min.
- Contact resistance: <0.3 mΩ

Dimensions (mm)



EMP SM 6CBG DXXX Plug



EMP SF 3CBG DXXX Receptacle

EMP 3 in-6 out connectors

Linear power connections for motors 3 lines in, 6 lines out

P/N: EMP SF 48B 3C R14 DXXX (Receptacle)
EMP SM 24B 3C R10 DXXX (Plug)

Contact type: DXXX means cable cross-section

4000V 200A / 500A



Material

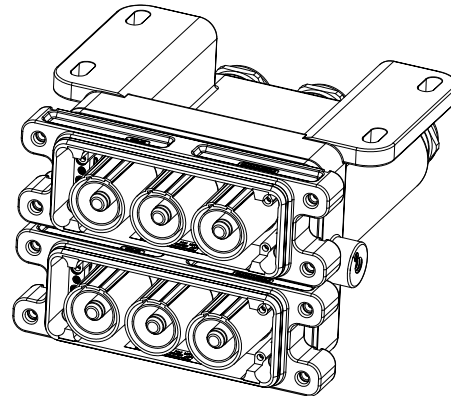
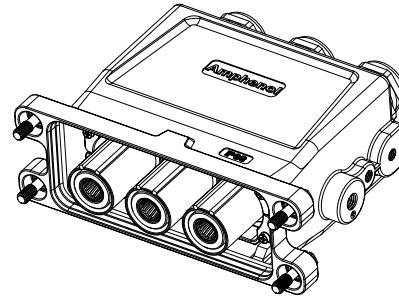
- Shell: Aluminium alloy
- Insert: Thermoplastics
- Contact: Copper alloy / silver plated / crimp type
- Cable gland: Nickel plated brass

Mechanical and Climatical

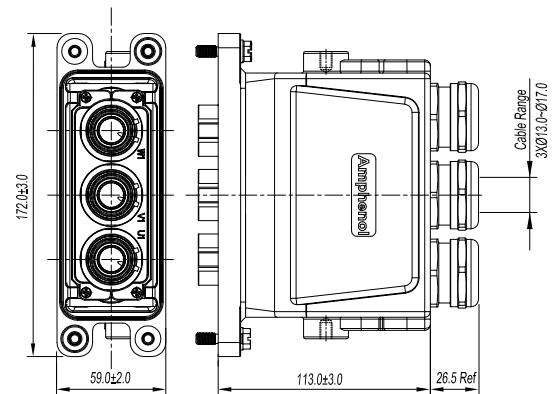
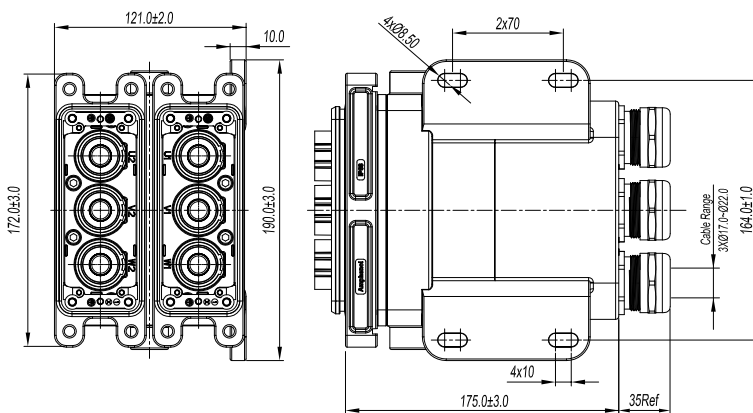
- Vibrations and Shocks: Category 1, Class B (EN61373)
- Operating temperature: -55°C to 125°C
- IP Class: IP67
- Durability: 500 cycles

Electrical data

- Rated voltage: 4000 V r.m.s
- Rated current: Plug: 200A max, Receptacle: 400A max
- Receptacle side-3 cables: 50 to 120 mm²
- Plug side- 3 cables: 25 to 70 mm² (2 PCS Plug)
- Insulation resistance > 10000 MΩ
- Contact resistance: <0.15 mΩ



Dimensions (mm)



EMP SF 48B 3C R14 DXXX Receptacle

EMP SM 24B 3C R10 DXXX Plug

Linear power connections for motors 3 lines in, 3 lines out

P/N: EMP SF 33 SC R10 DXX (Receptacle)
 EMP SM 33 PC R10 DXX (Plug)

Contact type: D70 means 70mm²/Crimp

Material

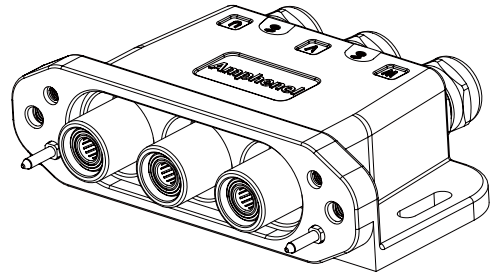
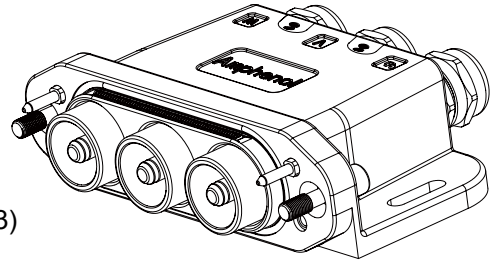
- Shell: Aluminium alloy
- Insert: Thermoplastics
- Contact: Copper alloy / silver plated / crimp type
- Cable gland: Nickel plated brass

Mechanical and Climatical

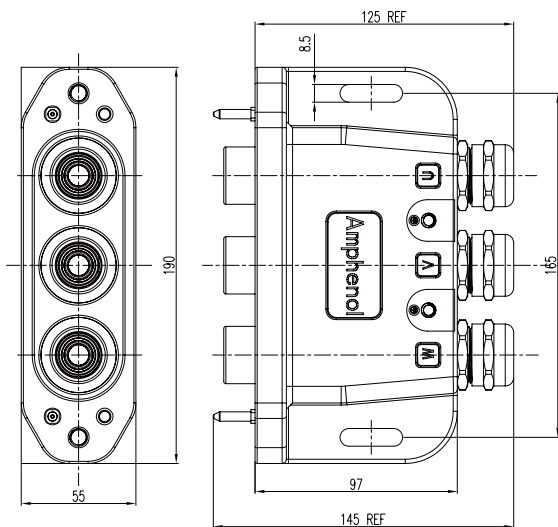
- Vibrations and Shocks: Category 1, Class B (EN61373)
- Operating temperature: -55°C to 125°C
- IP Class: IP67
- Durability: 500 cycles

Electrical data

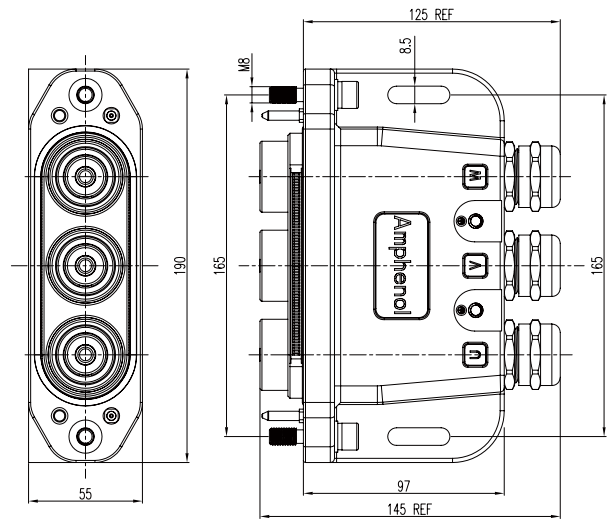
- Rated voltage: 4000 V r.m.s
- Rated current: 250A max
- Cable: 25 to 70 mm²
- Insulation resistance > 5000 MΩ
- Contact resistance: <0.3 mΩ



Dimensions (mm)



EMP SF 33 SC R10 DXX Receptacle



EMP SM 33 PC R10 DXX Plug

Linear power connections for motors 3 lines in, 3 lines out

P/N: EMP SF 33 SC R18 DXXX (Receptacle)

EMP SM 33 PC R18 DXXX (Plug)

Contact type: D150 means 150mm²/Crimp

Material

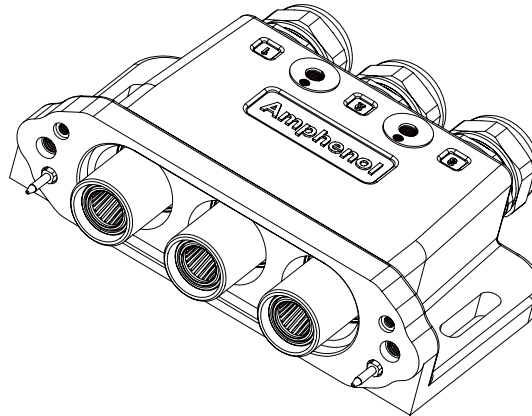
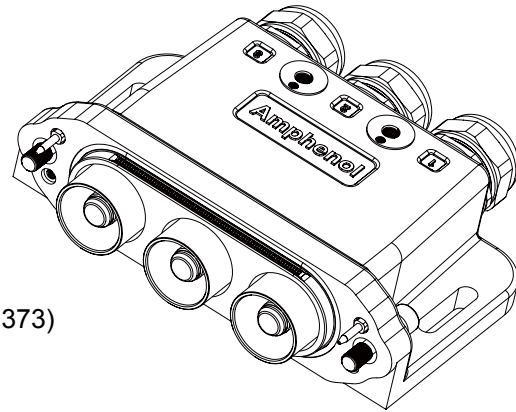
- Shell: Aluminium alloy
- Insert: Thermoplastics
- Contact: Copper alloy / silver plated / crimp type
- Cable gland: Nickel plated brass

Mechanical and Climatical

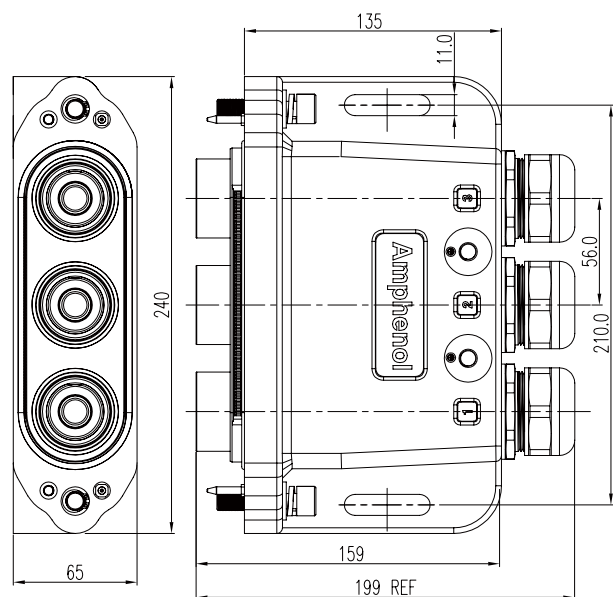
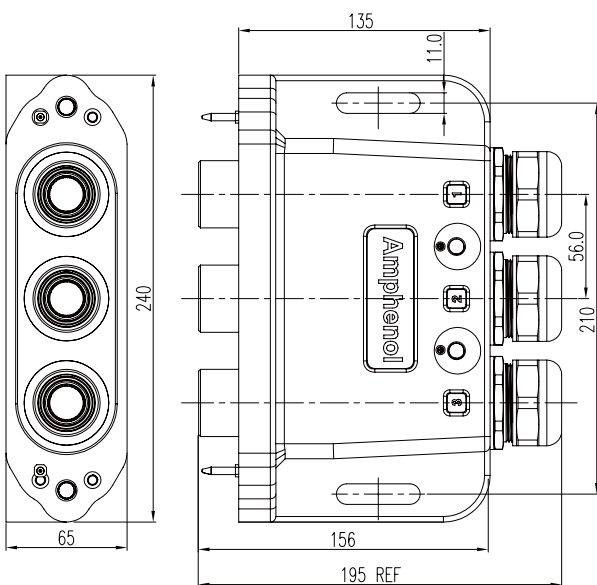
- Vibrations and Shocks: Category 1, Class B (EN61373)
- Operating temperature: -55°C to 125°C
- IP Class: IP67
- Durability: 500 cycles

Electrical data

- Rated voltage: 4000 V r.m.s
- Rated current: 700A max.
- Cables: 150 to 240 mm²
- Insulation resistance: 5000 MΩ Min.
- Contact resistance: <0.15 mΩ



Dimensions (mm)



EMP SF 33 SC R18 DXXX Receptacle

EMP SM 33 PC R18 DXXX Plug

Linear power connections for motors 3 lines in, 3 lines out

P/N: EMP SF 33 SC R14 DXXX (Receptacle)

EMP SM 33 PC R14 DXXX (Plug)

Contact type: D120 means 120mm²/Crimp

Material

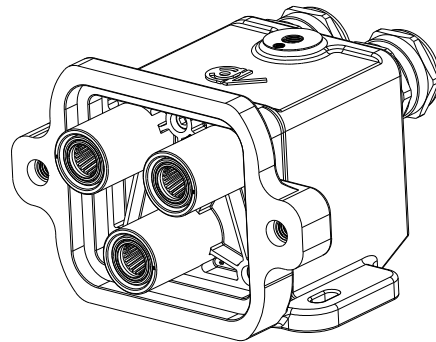
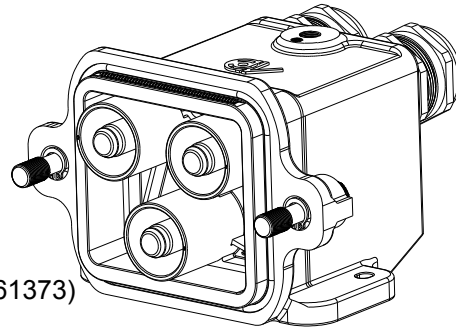
- Shell: Aluminium alloy
- Insert: Thermoplastics
- Contact: Copper alloy / silver plated / crimp type
- Cable gland: Nickel plated brass

Mechanical and Climatical

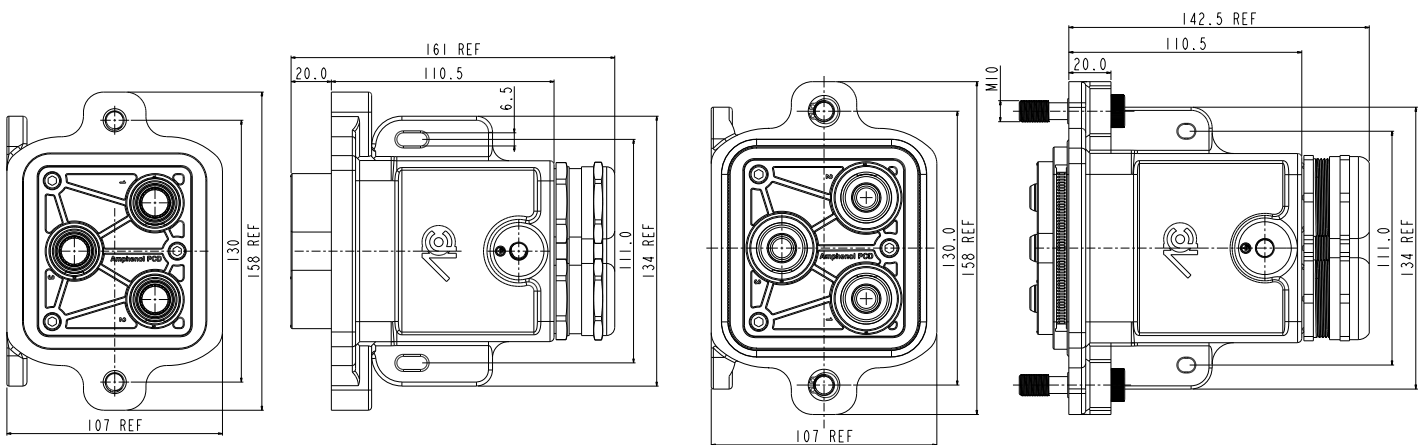
- Vibrations and Shocks: Category 1, Class B (EN61373)
- Operating temperature: -55°C to 125°C
- IP Class: IP67
- Durability: 500 cycles

Electrical data

- Rated voltage: 2000 V r.m.s
- Rated current: 350A max.
- Cables: 70 to 150 mm²
- Insulation resistance: 5000 MΩ Min.
- Contact resistance: <0.15 mΩ



Dimensions (mm)



EMP SF 33 SC R18 DXXX Receptacle

EMP SM 33 PC R18 DXXX Plug

Linear power connections for motors 4 lines in, 4 lines out

P/N: EMP SF 4CR10 DXX (Receptacle)

EMP SM 4CR10 DXX (Plug)

Contact type: D70 means 70mm²/Crimp

Material

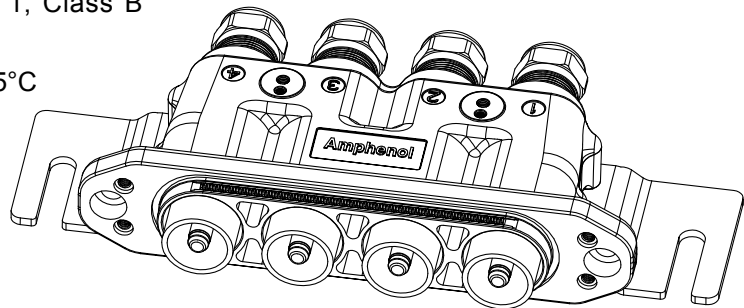
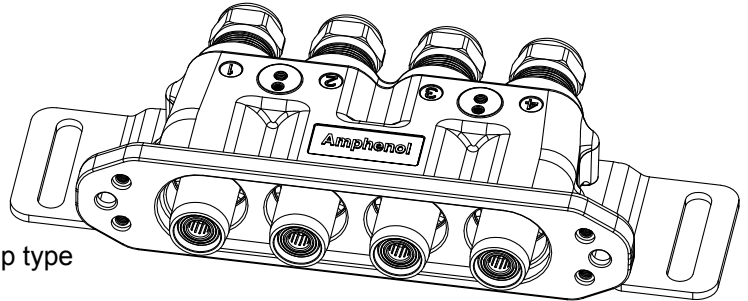
- Shell: Aluminium alloy
- Insert: Thermoplastics
- Contact: Copper alloy / silver plated / crimp type
- Cable gland: Nickel plated brass

Mechanical and Climatical

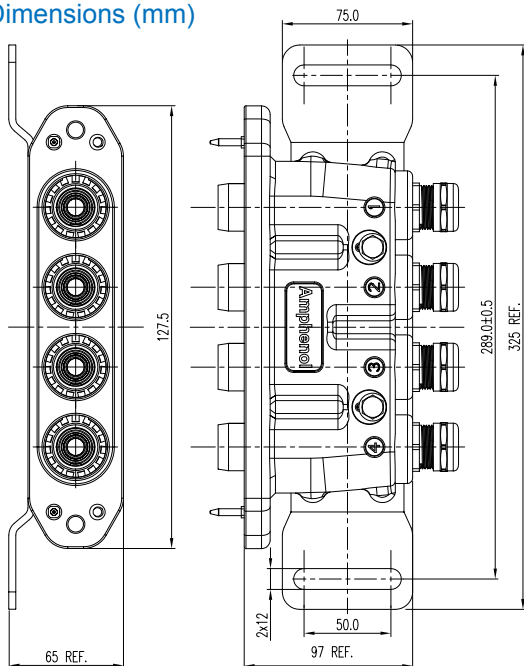
- Vibrations and Shocks: Category 1, Class B (EN61373)
- Operating temperature: -55°C to 125°C
- IP Class: IP67
- Durability: 500 cycles

Electrical data

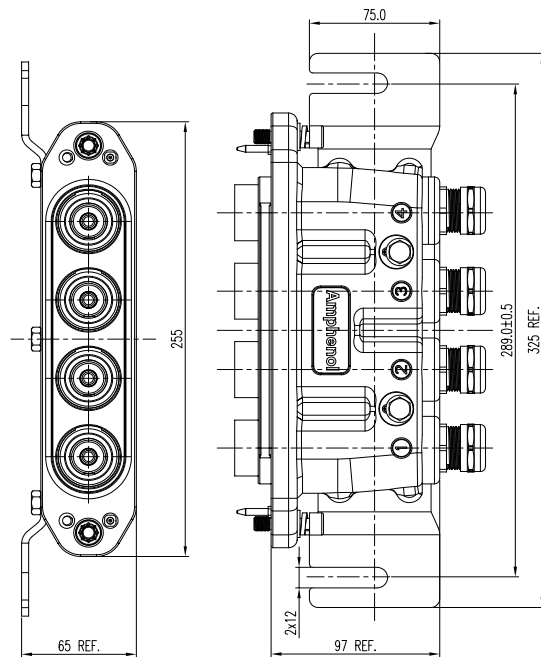
- Rated voltage: 3000 V r.m.s
- Rated current: 250A max.
- Cables: 25 to 70 mm²
- Insulation resistance: 5000 MΩ Min.
- Contact resistance: <0.3 mΩ



Dimensions (mm)



EMP SF 4C R10 DXX Receptacle



EMP SM 4C R10 DXX Plug

TOOLS

Extraction tools



EMP3-6 R R16
(For EMP SF 3C DXX & EMP3-3-R18)



EMP3-6 R R10
(For EMP SM 6C DXXX)



EMP3-3 R R10
(For EMP 3-3-R10 & EMP4-4-R10)

Crimping tools



APSM240-10
(Cable size: 10 to 240 mm²)

Amphenol PCD Shenzhen

Building 21
1st Liao Keng Industrial Zone
Shi Yan Street, Bao An District Shenzhen 518108
China

Tel.: +86 755-8173-8000
Fax: +86 755-8173-8180
Email: inquiry@amphenolpcd.com.cn

www.amphenolpcd.com.cn

Notes:

Amphenol PCD Shenzhen has made every effort to ensure that the information contained in this catalog is accurate at the time of publication. Specifications or information stated in this publication are subject to change without notice.

Amphenol PCD Shenzhen reserves the right to clarify this catalog.