

# ASGP Power Connector



## ASGP



### KEY FEATURES

ASGP is a ground power connector specially designed for rail vehicles receiving maintenance in the garage repair station when high voltage circuit power is cut off.

Sealing, IP67 (mated)

4pcs of 18mm Radsok for power and 6pcs of 3.6mm spring wire sockets for signal.

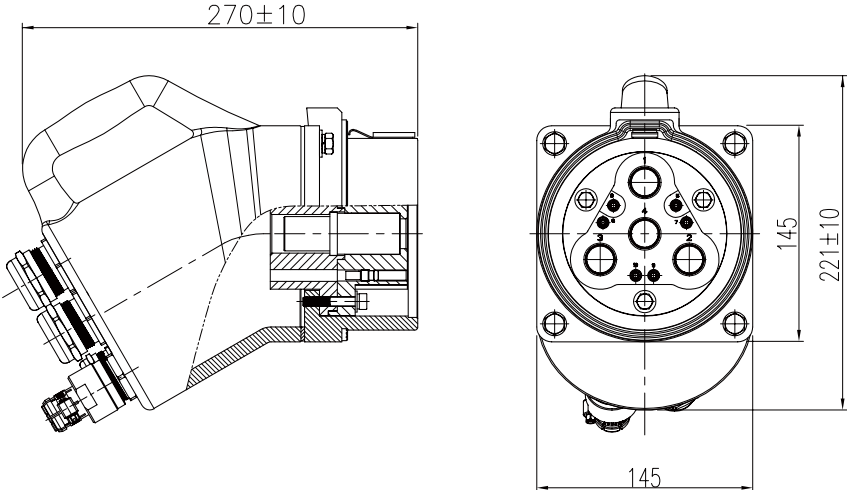
ASGP offers a wide range of current up to 500A and its rated voltage is 500V.

| MECHANICAL             |  |
|------------------------|--|
| Mating cycles          | ≥ 1500 times   |
| Vibration & shock      | Category 1, class B<br>( IEC61373.1999 )   |
| Contact type           | Crimp  |
| Contacts retention     | 18mm Power contact: > 200 N<br>#8 signal contact: > 110 N  |
| Insertion & Extraction | 18mm Power contact: 40 to 70 N<br>(Amphenol Radsok)<br>#8 signal contact: 5 to 8 N<br>(MIL-39029)                                    |
| ELECTRICAL             |  |
| Rated current          | Power contact: 500A max<br>Cable size: 35 to 185 mm <sup>2</sup><br>Signal contact: 46A max<br>Cable size: 1.5 to 10 mm <sup>2</sup> |
| Rated voltage          | 500V AC  |
| Insulation resistance  | ≥ 5000 MΩ (DC 500V)  |
| Contact resistance     | 18mm power contact: ≤ 0.3mΩ<br>#8 signal contact: ≤ 1.3mΩ  |
| Withstanding voltage   | 3000V AC (rms)   |
| Temperature rise       | ≤ 60°C   |
| ENVIRONMENTAL          |  |
| Temperature range      | -40°C to 125°C   |
| Humidity               | 90% to 95% (40±2°C)  |
| Sealing                | IP67   |
| Inflammability         | UL94-V0  |
| Salt spray             | 96h  |
| MATERIAL               |  |
| Shell                  | Aluminium alloy with powder painting   |
| Insulator              | Thermoplastic  |
| Sealing gasket         | Silicone   |
| Contact                | Copper alloy, Silver plating   |

PLUG

P/N: ASGP-M-SC-XXX

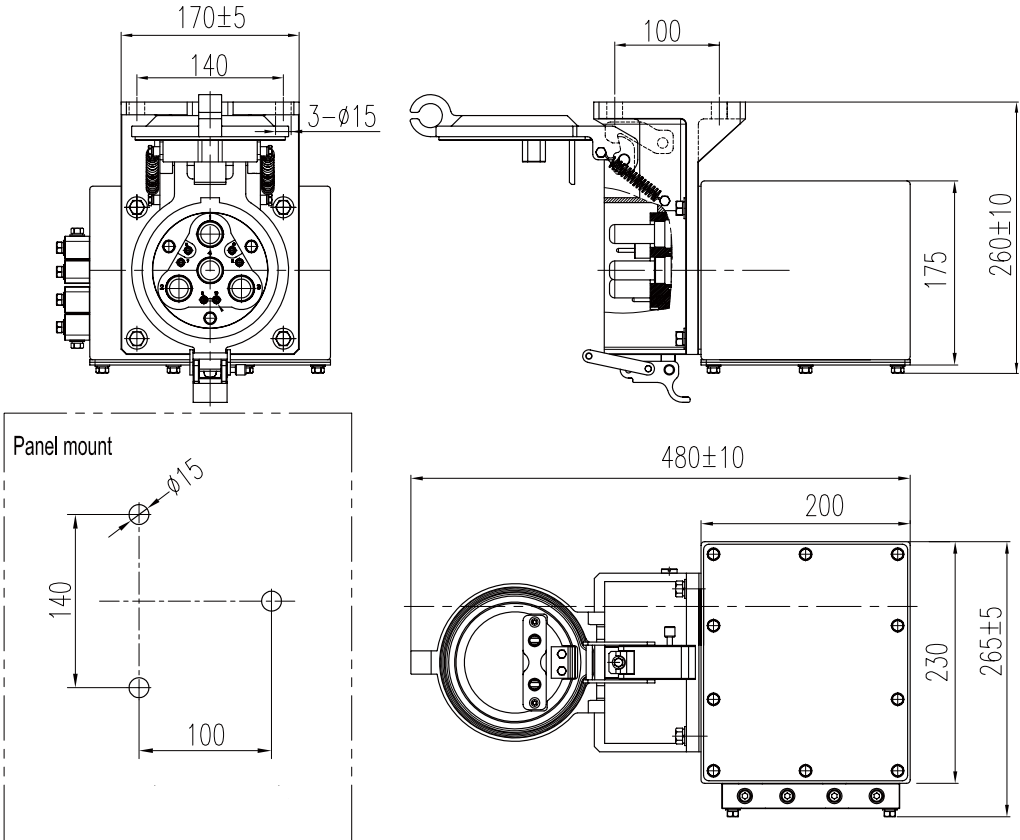
Contact size: 150 means 150mm<sup>2</sup>



RECEPTACLE: SIDE ENTRY

P/N: ASGP-F2-PM-XXX

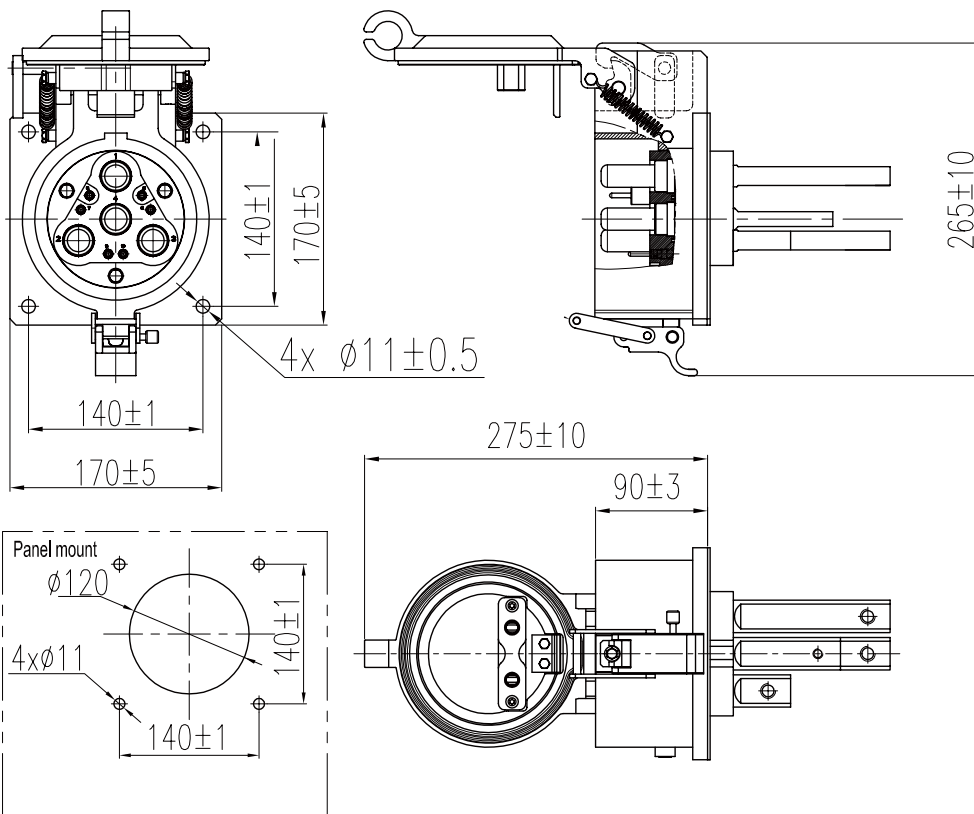
Contact size: 150 means 150mm<sup>2</sup>



## RECEPTACLE: BOX MOUNTED

P/N: ASGP-F1-PM-XXX

Contact size: 150 means 150mm<sup>2</sup>



Amphenol PCD Shenzhen

Building 21  
1<sup>st</sup> Liao Keng Industrial Zone  
Shi Yan Street, Bao An District Shenzhen 518108  
China

Tel.: +86 755-8173-8000  
Fax: +86 755-8173-8180  
Email: [inquiry@amphenolpcd.com.cn](mailto:inquiry@amphenolpcd.com.cn)

[www.amphenolpcd.com.cn](http://www.amphenolpcd.com.cn)

Notes:

Amphenol PCD Shenzhen has made every effort to ensure that the information contained in this catalog is accurate at the time of publication. Specifications or information stated in this publication are subject to change without notice.

Amphenol PCD Shenzhen reserves the right to clarify this catalog.