

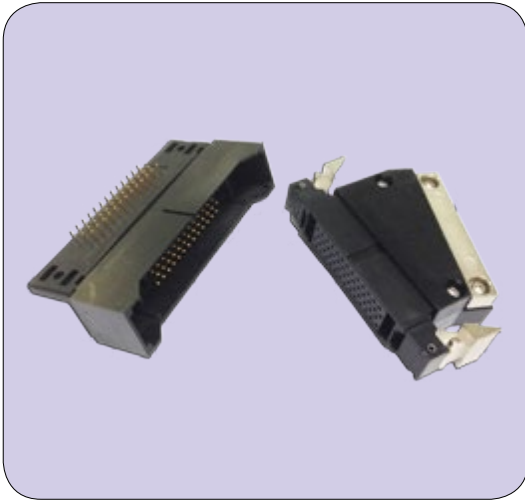


ASPRC

Plastic Rectangular Connector



ASPRC



ASPRC Connector

ASPRC is a connector especially designed for data transmission. With guide pins and self-locking system, this high performance connector is also resistant to vibrations & shocks. ASPRC has 52 pins max, 20# contact, and a rated current of 5A max.

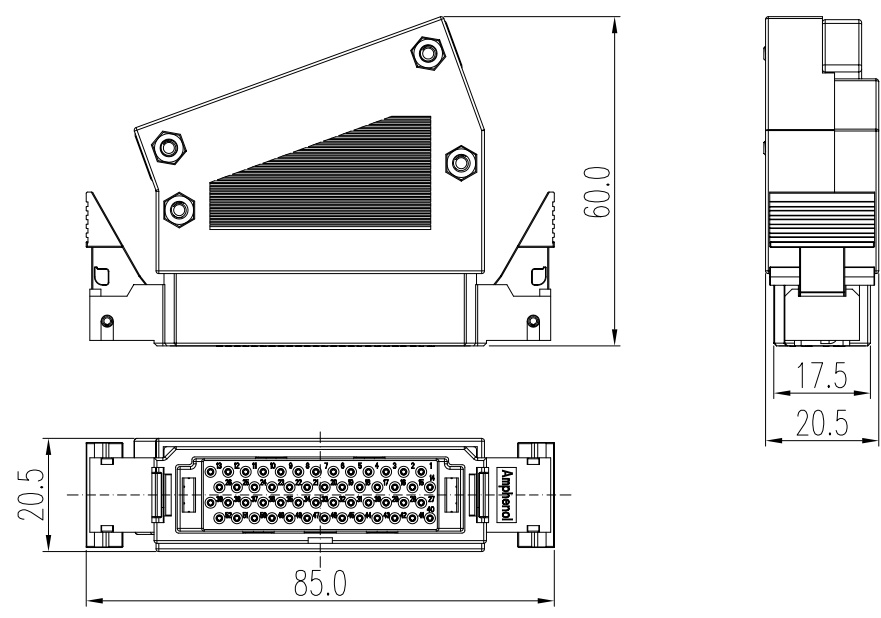
Shells and inserts are available in plastic.

Widely used in ATP (Automatic Train Protection) system for data transmission.

MECHANICAL	
Mating cycles	≥ 500 times
Vibration & shock	Category 1, class B (IEC61373.1999)
Contact type	Crimp
Contacts retention	>111 N
ELECTRICAL	
Rated current	5A max Cable size: 0.3 to 0.75 mm ²
Rated voltage	500V AC
Insulation resistance	≥ 5000 MΩ (DC 500V)
Contact resistance	≤ 3mΩ
Withstanding voltage	1500V AC (rms)
Temperature rise	≤ 60K
ENVIRONMENTAL	
Temperature range	-55°C to 85°C
Humidity	90% to 95% (40±2°C)
Inflammability	UL94-V0
Salt spray	48h
MATERIAL	
Shell	Retardant thermoplastic
Insulator	Thermoplastic
Contact	Coppo alloy, gold plating

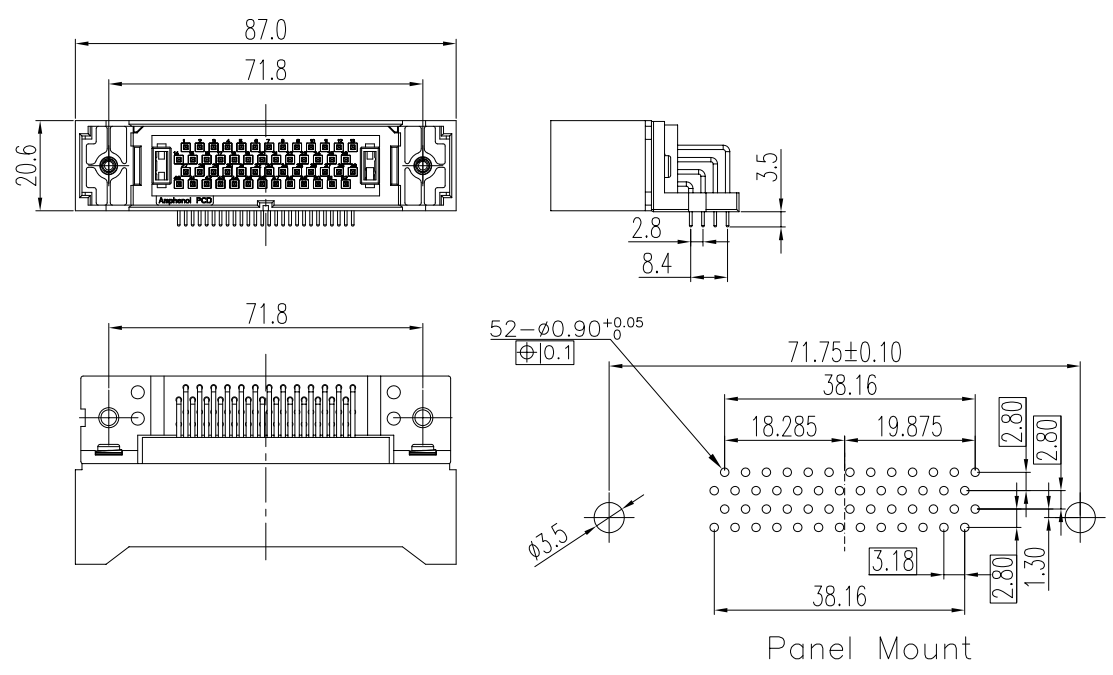
Plug

P/N: ASPRC-52SC-M-LC



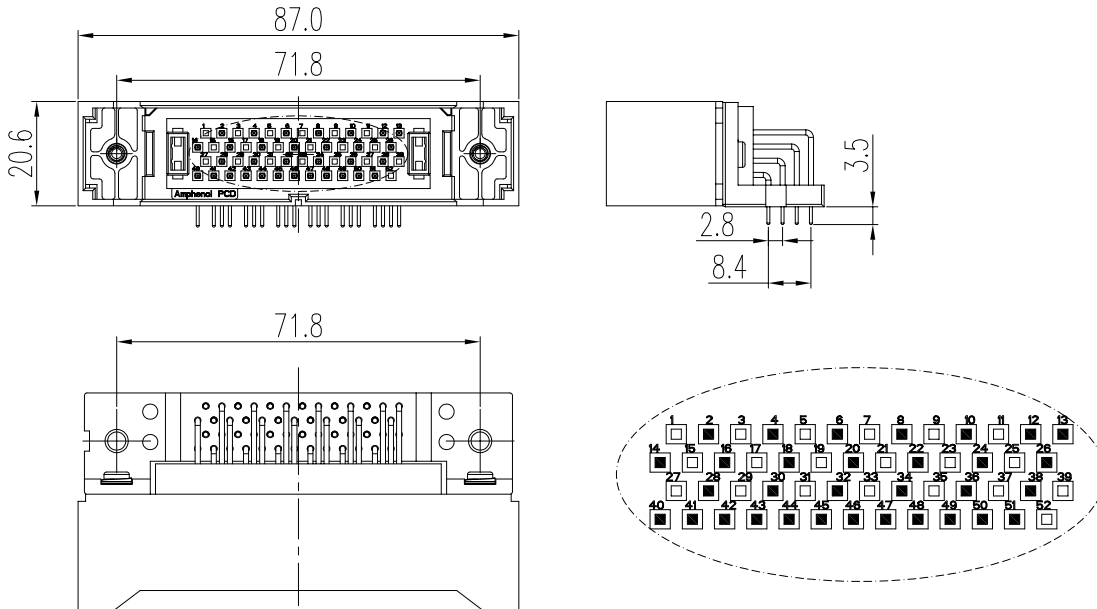
Receptacle 52 pins

P/N: ASPRC-52PS-F



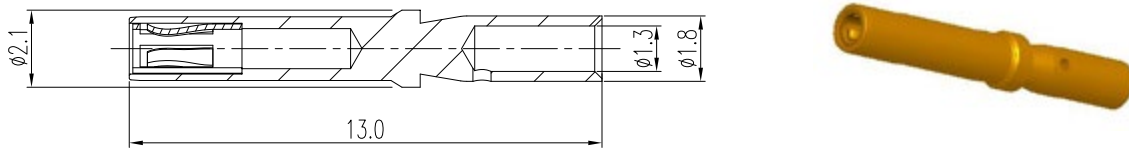
Receptacle 32 pins

P/N: ASPRC-52(32)PS-F



Socket contact

P/N: ASPRC20SC001AU

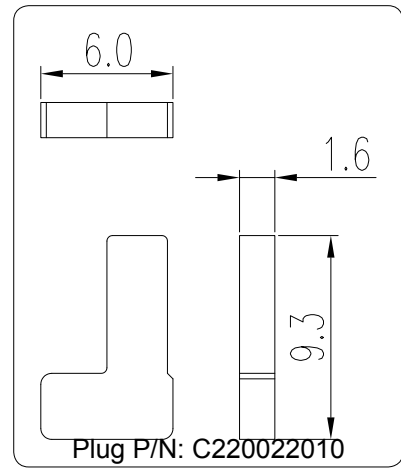
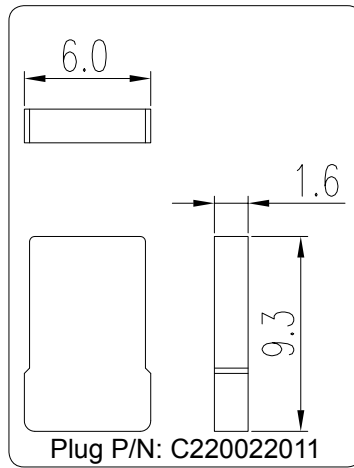
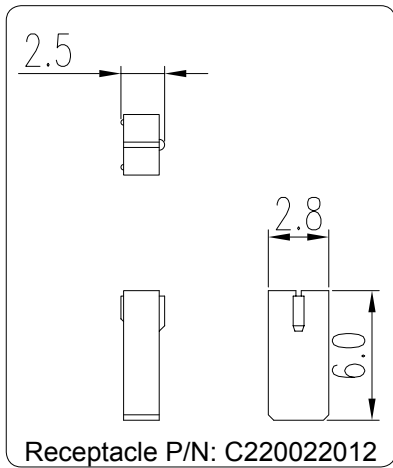


Alternate position

In Receptacle - P/N: C220022012

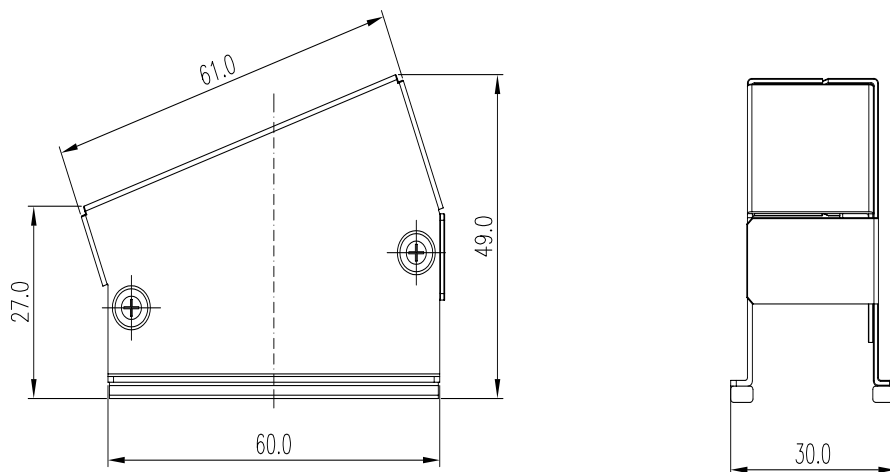
In Plug - P/N: C220022011

In Plug - P/N: C220022010



Shield shell

P/N: ASPRC-VS-52K



Amphenol PCD Shenzhen

Building 21
1st Liao Keng Industrial Zone
Shi Yan Street, Bao An District Shenzhen 518108
China

Tel.: +86 755-8173-8000
Fax: +86 755-8173-8180
Email: inquiry@amphenolpcd.com.cn

www.amphenolpcd.com.cn

Notes:

Amphenol PCD Shenzhen has made every effort to ensure that the information contained in this catalog is accurate at the time of publication. Specifications or information stated in this publication are subject to change without notice.

Amphenol PCD Shenzhen reserves the right to clarify this catalog.