

ASRC

Quadrax Modular Rectangular Connector



PRODUCT INTRODUCTION



ASRC Heavy duty modular rectangular connector, consists of rugged aluminum shell and frames and multiple contact with many insert arrangement. High performance with polarization / guiding pins, resistant to vibration and shock, with shielding function.



KEY FEATURES

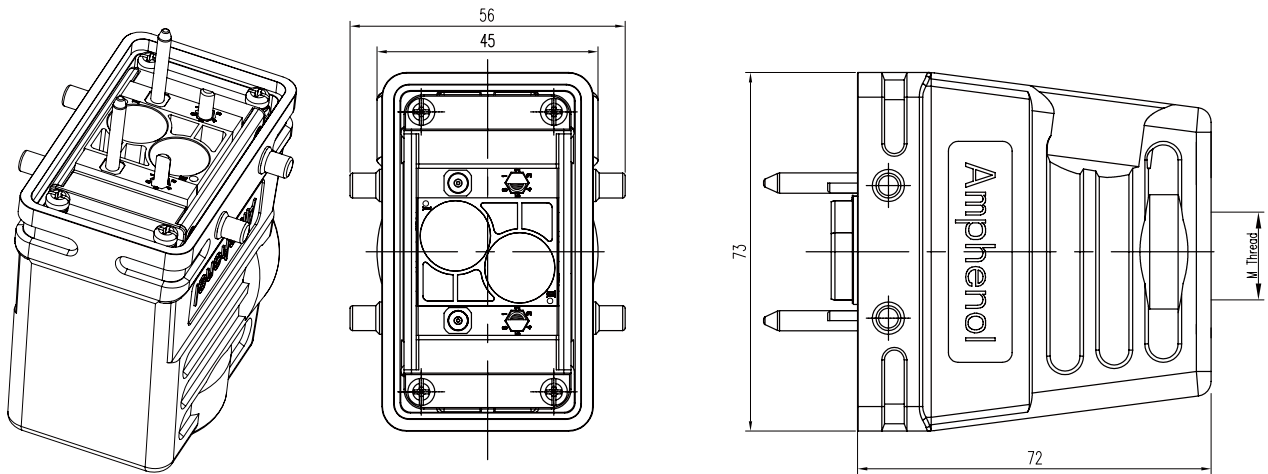
- Heavy duty modular rectangular connector
- Rugged aluminum shell and frames
- High density of insert arrangement
- High performance with polarization / guiding pins
- Resistant to vibration and shock
- Sealing, IP67
- 360° shielded from wire to device

ELECTRICAL		
Q-contact	Q4-contact	Q8-contact
Contact number	4 x #16	8 x #20
Rated current	13A	7.5A
Rated voltage	AC 125V (r.m.s)	AC 50V (r.m.s)
Withstanding voltage	AC 1500V (r.m.s)	AC 1000V (r.m.s)
Contact resistance	≤ 2.5mΩ	≤ 3.0mΩ
Insulation resistance	≥ 2000MΩ	
Attenuation	≤ 0.4dB@100MHz	
Crosstalk	≥ 43dB@100MHz	
MECHANICAL		
Durability	≥ 500 mating cycles	
Connection type	Crimping	
Vibration & shock	Category 1, class B (IEC 61373-1999, GB/T 21563-2008)	
Contact retention force NFF 61030	#20: 70N #16: 70N	
ENVIRONMENTAL		
Temperature range	-40°C to 125°C	
Humidity	90% to 95% (40±2°C)	
Sealing	IP67	
Flammability	UL94-V0, NFF16-101/16-102	
Salt spray	48h	
MATERIAL		
Shell	Aluminum alloy, epoxy powder paint	
Module shell	Aluminum alloy, nickel plating	
Insulator	Thermoplastic	
Contact	Copper alloy, gold plating	
Sealing	Silicone rubber	

HOW TO ORDER

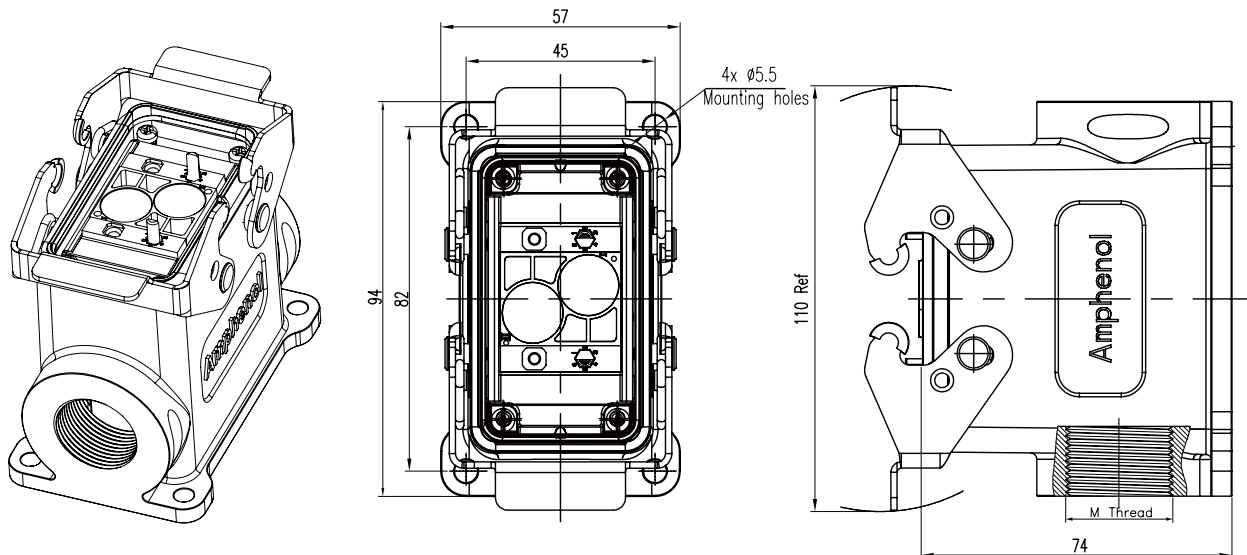
	ASRC	10B	001	M	/
Shell size:					
10B					
16B					
24B					
Insert arrangement:					
001: Standard position					
002: Customs order, please contact us for details					
003: Customs order, please contact us for details					
Connector type:					
M: Plug					
F: Receptacle					
/ : Omit, with Q-contact					
QLC: Without Q-contact					

PLUG: ASRC10BXXXM



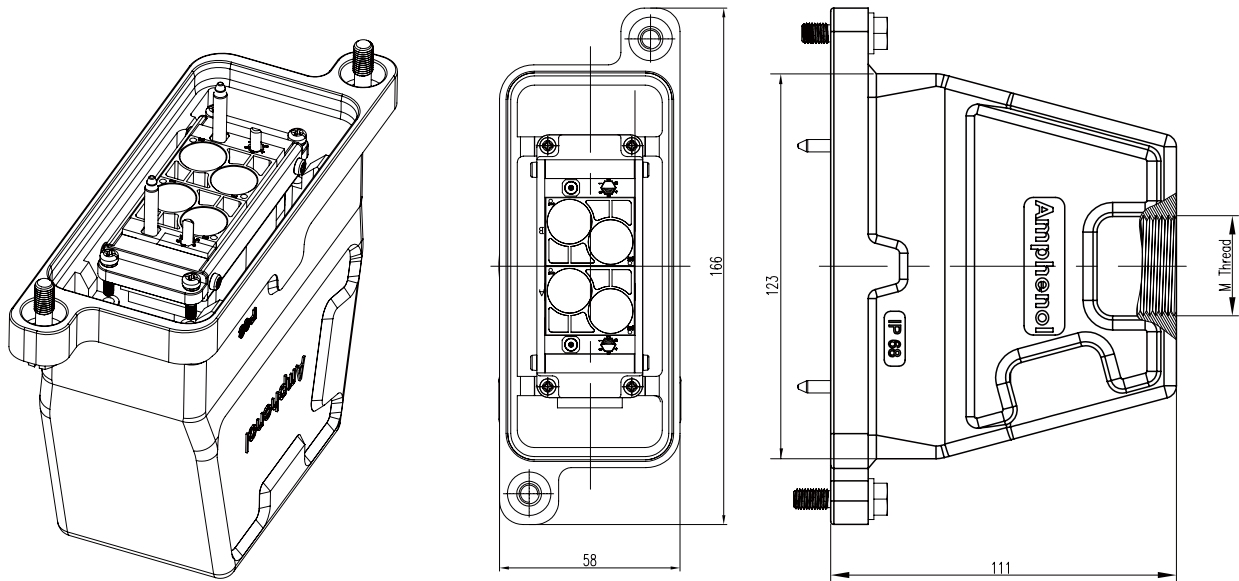
Part number	Insert arrangement	Shell size	Q-contact size	Hoods	Cable OD
ASRC10BXXXM	001: Standard	10B	2 x Q4 / Q8 (male contact)	Top entry: M20, M25, M32, M40 Side entry: M20, M25, M32	Φ3 to Φ9.5

RECEPTACLE: ASRC10BXXXF



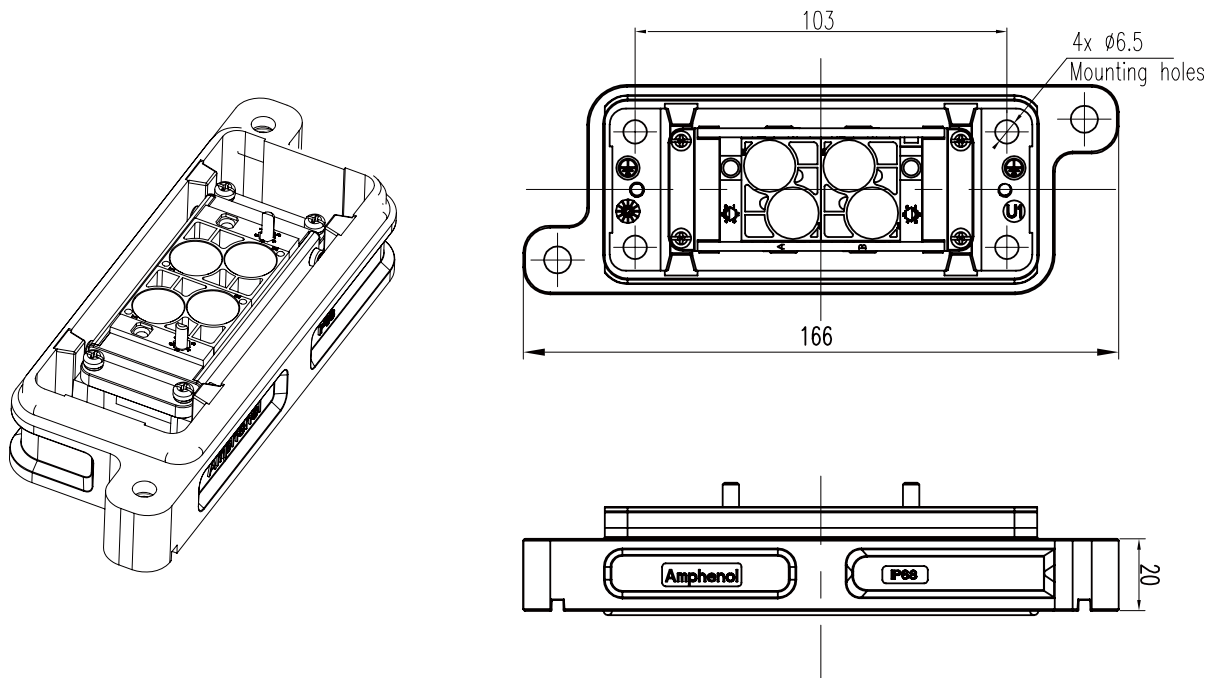
Part number	Insert arrangement	Shell size	Q-contact size	Hoods	Cable OD
ASRC10BXXXF	001: Standard	10B	2 x Q4 / Q8 (female contact)	Bulkhead mounting Side entry: M20, M25, M32	Φ3 to Φ9.5

PLUG: ASRC16BXXXM



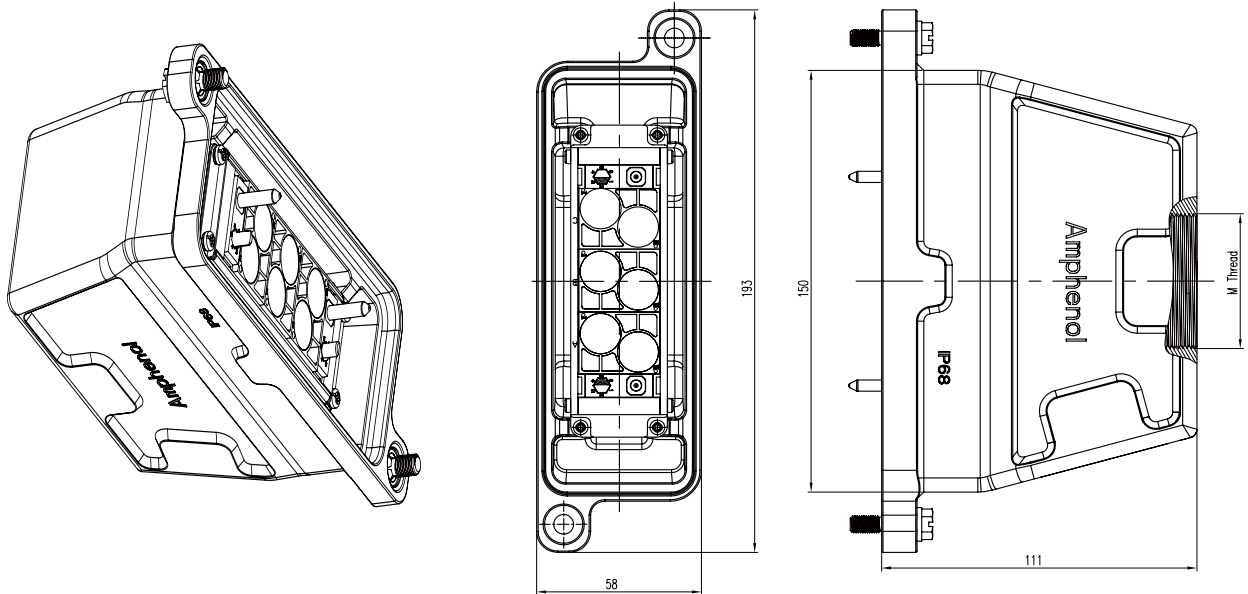
Part number	Insert arrangement	Shell size	Q-contact size	Thread outlet	Cable OD
ASRC16BXXXM	001: Standard	16B	4 x Q4 / Q8 (male contact)	Top entry / Side entry M25, M40, PG36	Φ3 to Φ9.5

RECEPTACLE: ASRC16BXXXF



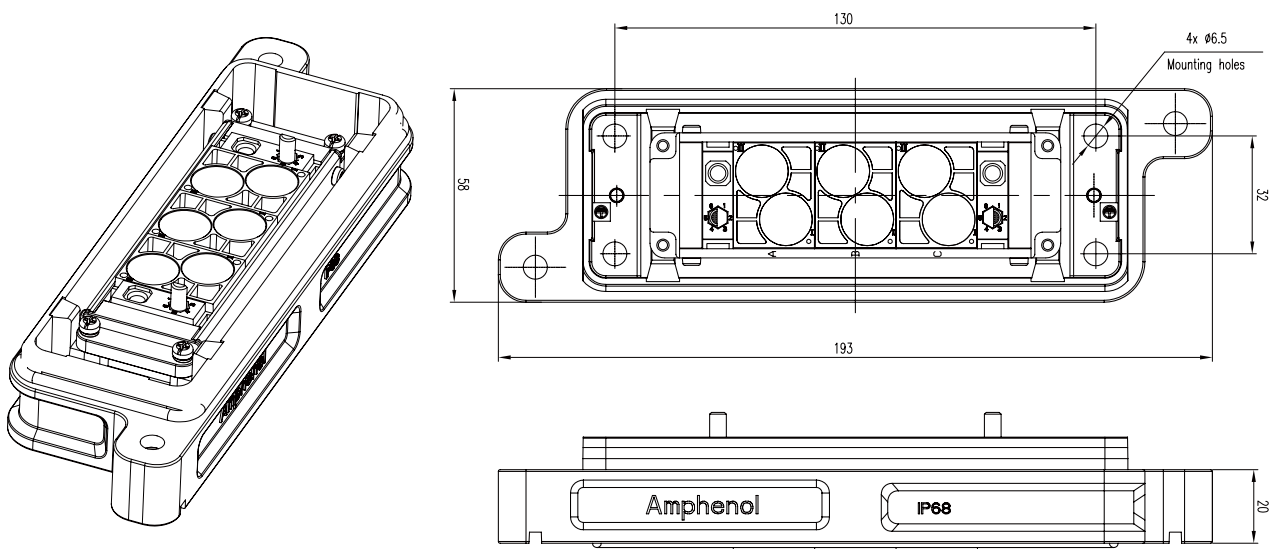
Part number	Insert arrangement	Shell size	Q-contact size	Thread outlet	Cable OD
ASRC16BXXXF	001: Standard	16B	4 x Q4 / Q8 (female contact)	Bulkhead mounting	Φ3 to Φ9.5

PLUG: ASRC24BXXXM



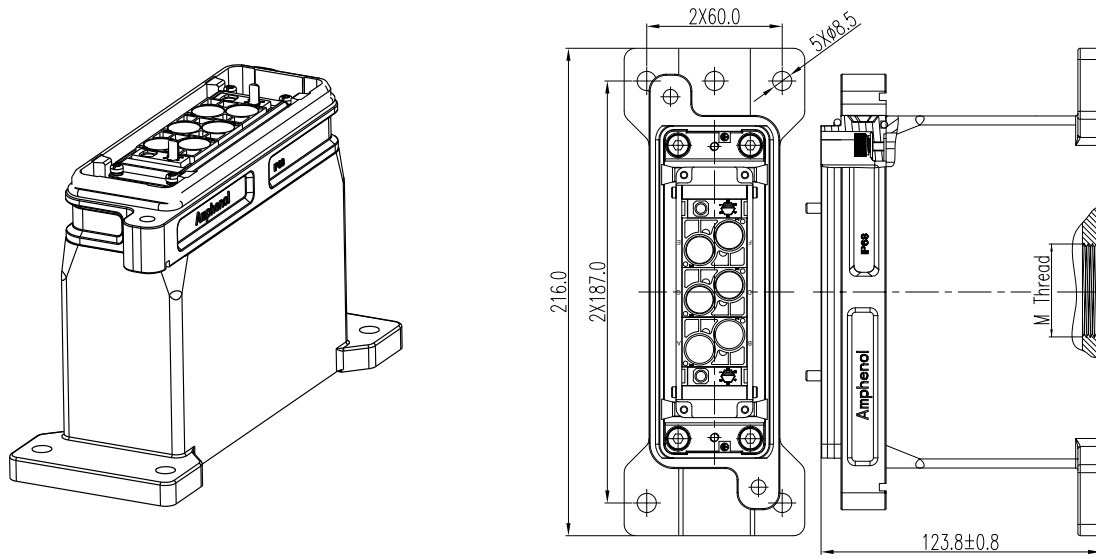
Part number	Insert arrangement	Shell size	Q-contact size	Thread outlet	Cable OD
ASRC24BXXXM	001: Standard	24B	6 x Q4 / Q8 (male contact)	Top entry / Side entry M25, M40, PG36	Φ3 to Φ9.5

RECEPTACLE: ASRC24BXXXF



Part number	Insert arrangement	Shell size	Q-contact size	Thread outlet	Cable OD
ASRC24BXXXF	001: Standard	24B	6 x Q4 / Q8 (female contact)	Bulkhead mounting	Φ3 to Φ9.5


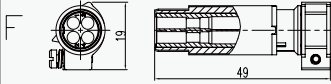
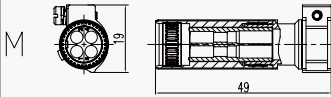

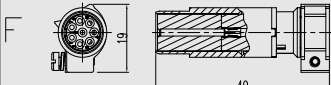
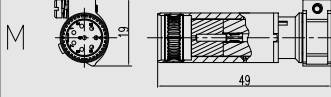
RECEPTACLE: ASRC24BXXXF



Part number	Insert arrangement	Shell size	Q-contact size	Thread outlet	Cable OD
ASRC24BXXXF	001: Standard	24B	6 x Q4 / Q8 (female contact)	Bulkhead mounting	Φ3 to Φ9.5




Q-CONTACT & PIN & SOCKET

Q-CONTACT

Contact	Drawing	Contact number	Part number	Extraction tool
	F 	4 x #16 Socket	ASRC FQ416 SC LC	ASRC-R-Q
	M 	4 x #16 Pin	ASRC MQ416 PC LC	ASRC-R-Q
	F 	8 x #20 Socket	ASRC FQ 820 SC LC	ASRC-R-Q
	M 	8 x #20 Pin	ASRC MQ 820 PC LC	ASRC-R-Q

PIN & SOCKET

Contact	Part number		Wire size	Plating	Tools	
	Pin	Socket			Crimping	Extraction
	ASRC16PC001AU	ASRC16SC001AU	0.6 to 1.5mm ²	Gold	M22520/1-01	ASGTC-R-16S
	ASRC16PC002AU	ASRC16SC002AU	0.3 to 0.6mm ²	Gold	M22520/1-01	ASGTC-R-16S
	C42000409801	C42000409901	22 to 26AWG	Gold	M22520/1-01	M81969/1-02
	C42000409804	C42000409904	20AWG	Gold	M22520/1-01	M81969/1-02

#16 Extraction tool AS-GTC-R-16S	#20 Extraction tool M81969/1-02
	
Crimping tool M22520/1-01	Quadrax extraction tool ASRC-R-Q
	

Amphenol PCD Shenzhen

Building 21
1st Liao Keng Industrial Zone
Shi Yan Street, Bao An District Shenzhen 518108
China

Tel.: +86 755-8173-8000
Fax: +86 755-8173-8180
Email: inquiry@amphenolpcd.com.cn

www.amphenolpcd.com.cn

Notes:

Amphenol PCD Shenzhen has made every effort to ensure that the information contained in this catalog is accurate at the time of publication. Specifications or information stated in this publication are subject to change without notice.

Amphenol PCD Shenzhen reserves the right to clarify this catalog.