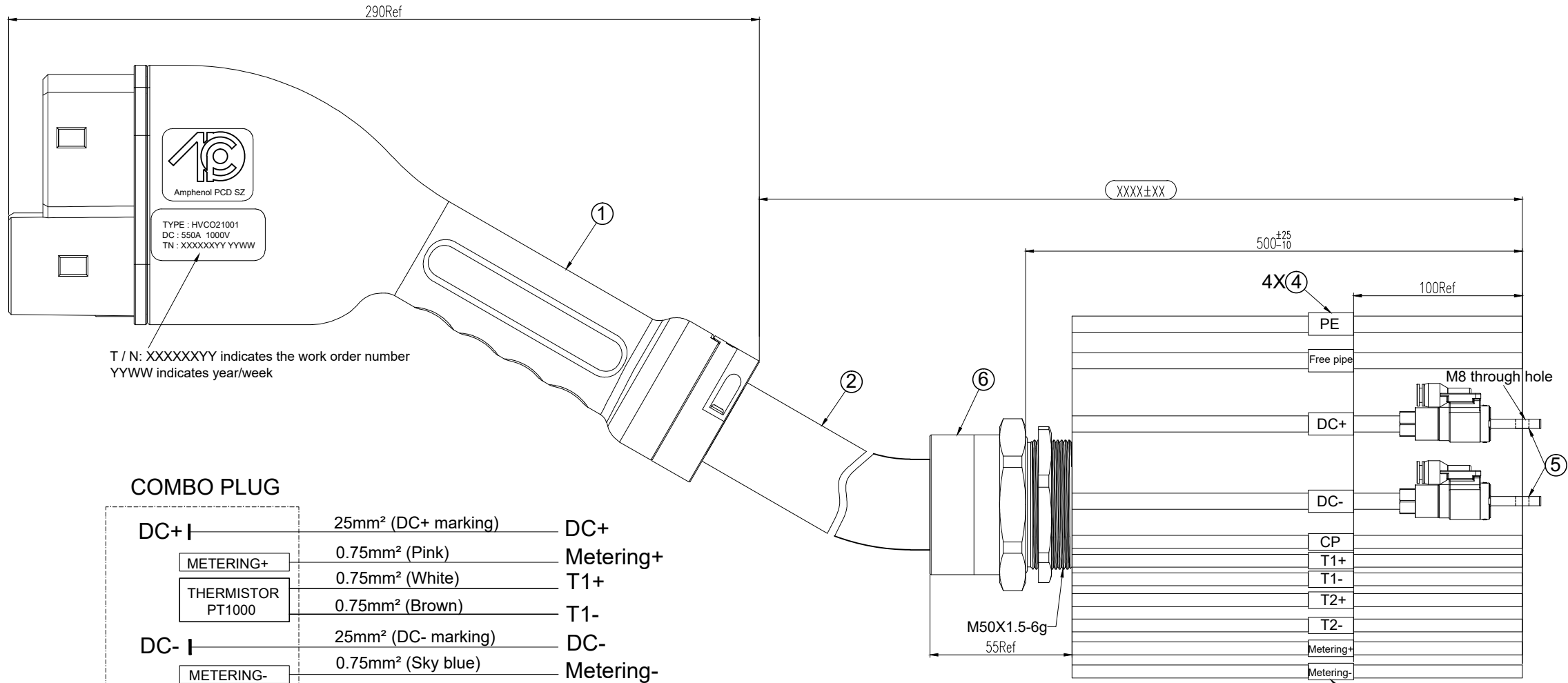
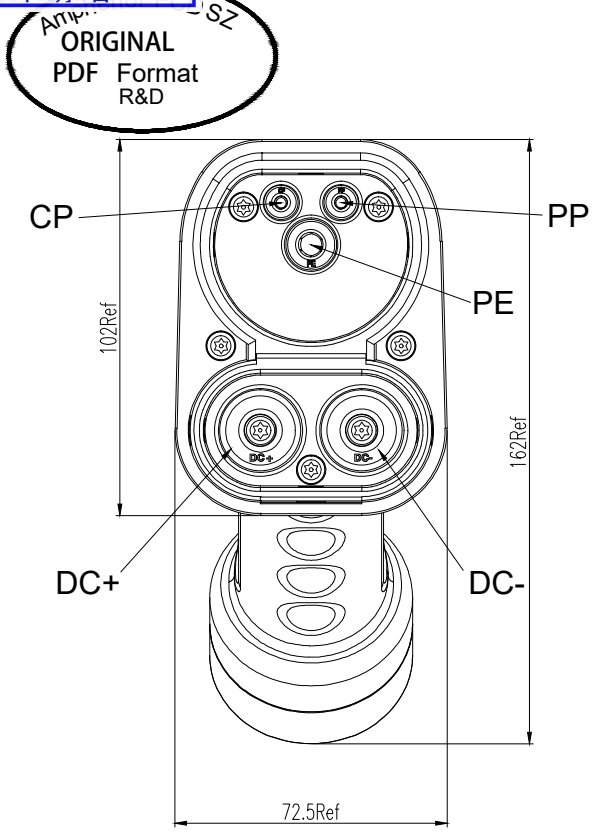


REV	ECN	DESCRIPTION	DATE	MODIFIED
1		PRE-RELEASE	Nov-08-2022	



COMBO PLUG

DC+ I	25mm ² (DC+ marking)	DC+
METERING+	0.75mm ² (Pink)	Metering+
THERMISTOR PT1000	0.75mm ² (White)	T1+
	0.75mm ² (Brown)	T1-
DC- I	25mm ² (DC- marking)	DC-
METERING-	0.75mm ² (Sky blue)	Metering-
THERMISTOR PT1000	0.75mm ² (Gray)	T2+
	0.75mm ² (Black)	T2-
PE I	25mm ² (Yellow&Green)	PE
PP I	(NO CABLE)	
CP I	0.75mm ² (Blue)	CP

- *Notes:**
- Cable assembly data:
 - Rated Voltage: 1000V DC(DC+&DC-), 30V DC(CP&PP);
 - Rated Current: 2A Max(CP、PP); 550A Max(DC+&DC-) @Initial phase
 - Insulation Resistance: 100MΩ Min(1000V DC FOR DC+&DC-, 500V DC for others)
 - Withstand Voltage : 3000V/AC r.m.s(DC+&DC-); Others 500V/AC r.m.s
 - IP-Class: IP67(enclosure); IP44(Plugged in)
 - RoHS Compliance
 - Ambient Temperature: -30°C ~ +50°C
 - IEC Plug reference: C-HVCO21001
 - Reference For, IEC 62196-3-1
 - Cable Minimum Bending Radius: ≥10XOD
 - Durability: ≥ 10000 cycles
 - Working Pressure: 0~7bar; Cooling medium: Dimethicone
 - C-HVCO21001LXXXX

LENGTH	TOLERANCE
0~1000mm	±50
1001~5000mm	±100
>5000mm	±200

⑥	P02B000220	CABLE GLAND, M50	1	EA
⑤	P02B000221	TERMINAL OF DC WIRE, M8	2	EA
④	C210006511	SINGLE-WALL H.S.T: Ø12.7 WHITE	0.08	m
③	C210006837	SINGLE-WALL H.S.T: Ø3.2 WHITE	0.1	m
②	P01BC00231/P01BC00258	2x25mm ² +TUBES+25mm ² +8x0.75mm ² Black OD=31	AR	m
①	HVCO21001	COMBO II VEHICLE COOLING PLUG, 1000V, 550A	1	EA

DIMENSIONS	TOLERANCES	PROJECTION	TITLE	
ANSI Y14.5M	.X ± 0.50		IEC COMBO	
UNITS: MM	.XX ± 0.05		FOR VEHICLE COUPLER COOLING PLUG(BLACK) 550A	
CAD FILE	ANGLES ± 2'		CABLE ASSEMBLY	
ORIGINAL	THIS DOCUMENT CONTAINS PROPRIETARY INFORMATION WHICH IS THE CONFIDENTIAL PROPERTY OF Amphenol PCD Shenzhen Co. Ltd RESERVES THE RIGHT TO CLARIFY THIS DRAWING		SIZE	DWG NO.
			A3	C-HVCO21001LXXXX
			SCALE	SHEET
			1:1	1 OF 1

C-HVCO21001LXXXX

C-HVCO21001LXXXX