

REV	ECN	DESCRIPTION	DATE	MODIFIED
1		RELEASE	Aug-13-23	Max

Amphenol PCD SZ
ORIGINAL
PDF Format
R&D

Identifier for vehicle connector:
Comply with EN17186
Position:

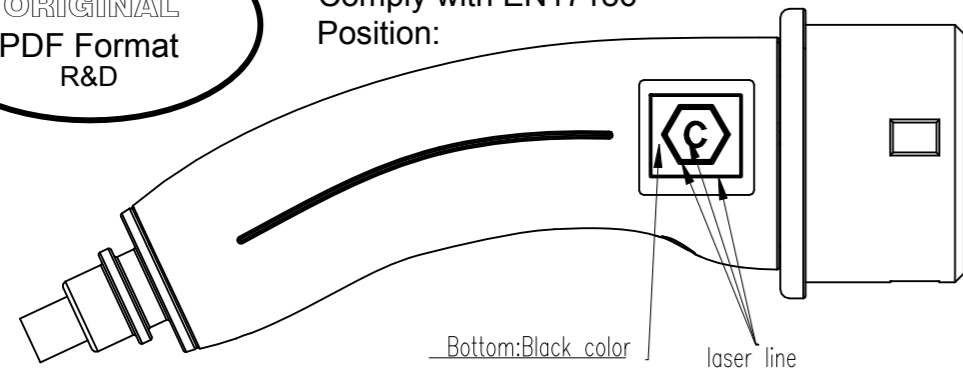
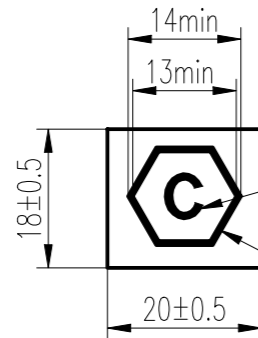


Photo see below:



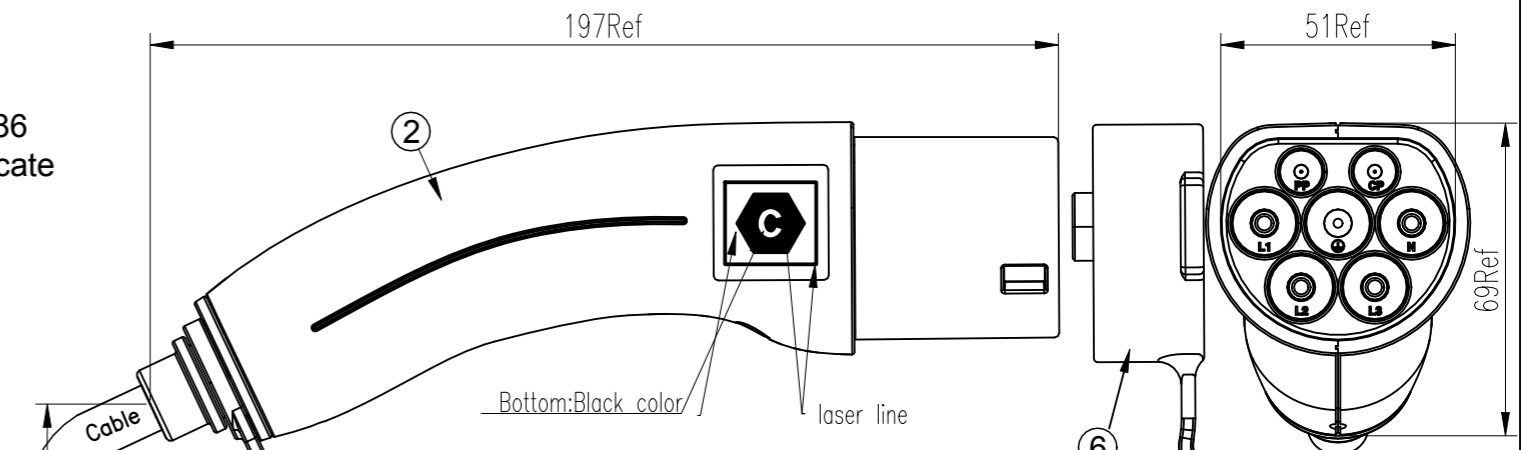
Size see below:



"C"
Place in the middle of hexagon
Font: Arial Bold, Size:5mm min
Line thickness:0.5mm min

Can not print "UKCA"& EN17186
logo until Amphenol gets certificate

安费诺精密连接器(深圳)有限公司
Amphenol PCD Shenzhen
受控文件
2023年8月14日

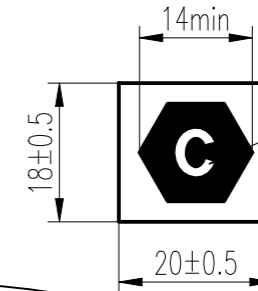


Identifier for plug:
Comply with EN17186
Position:

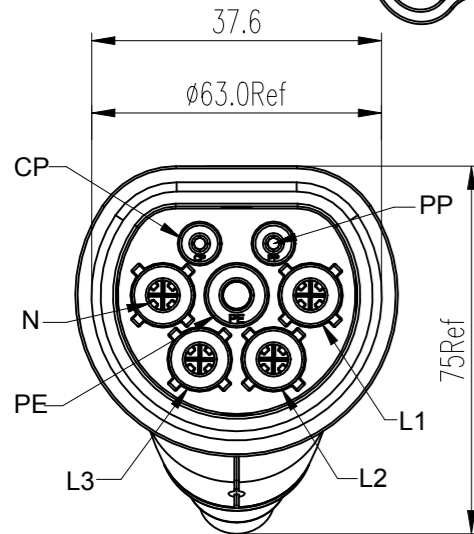
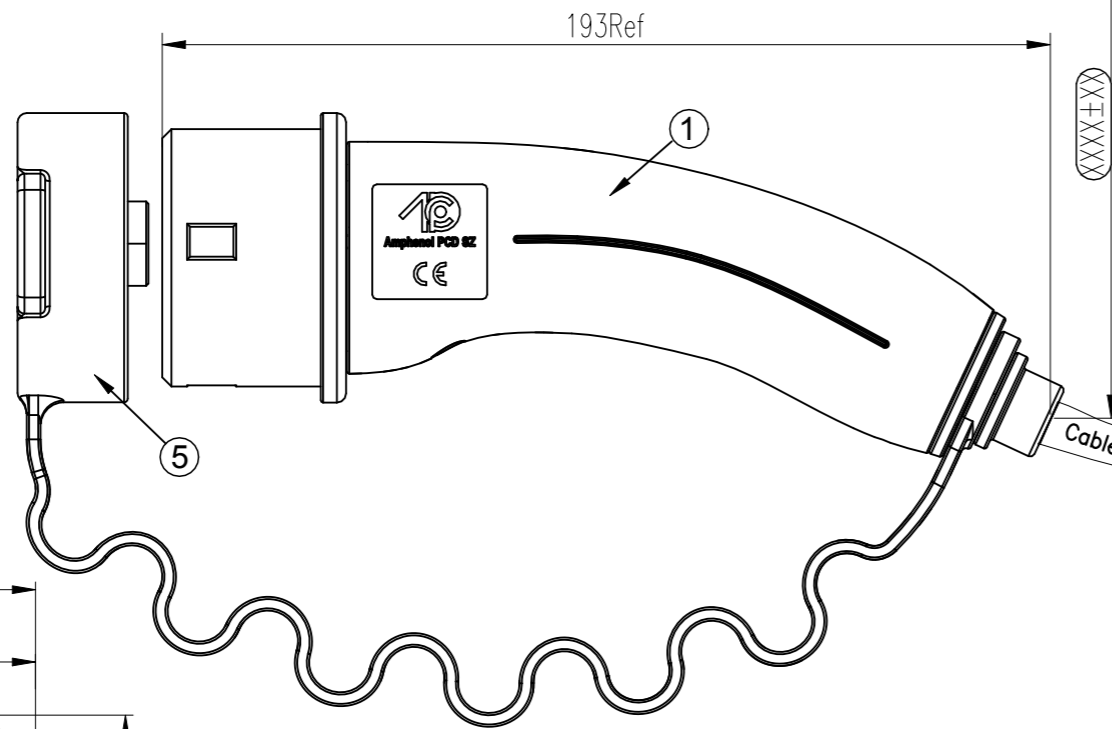
Photo see below:



Size see below:



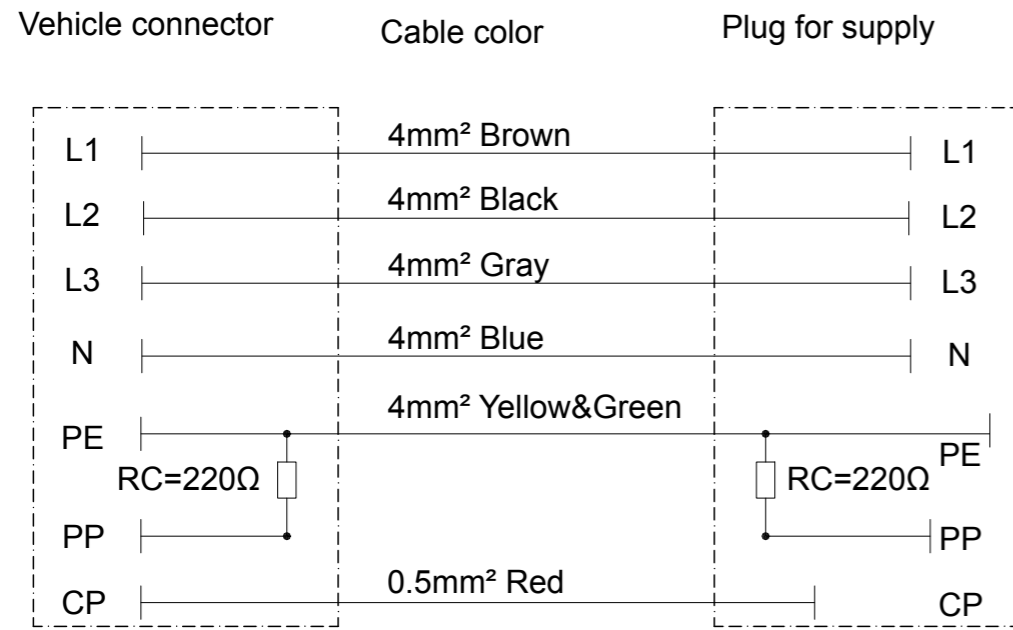
"C"
Place in the middle of hexagon
Font: Arial Bold, Size:5mm min



Vehicle connector

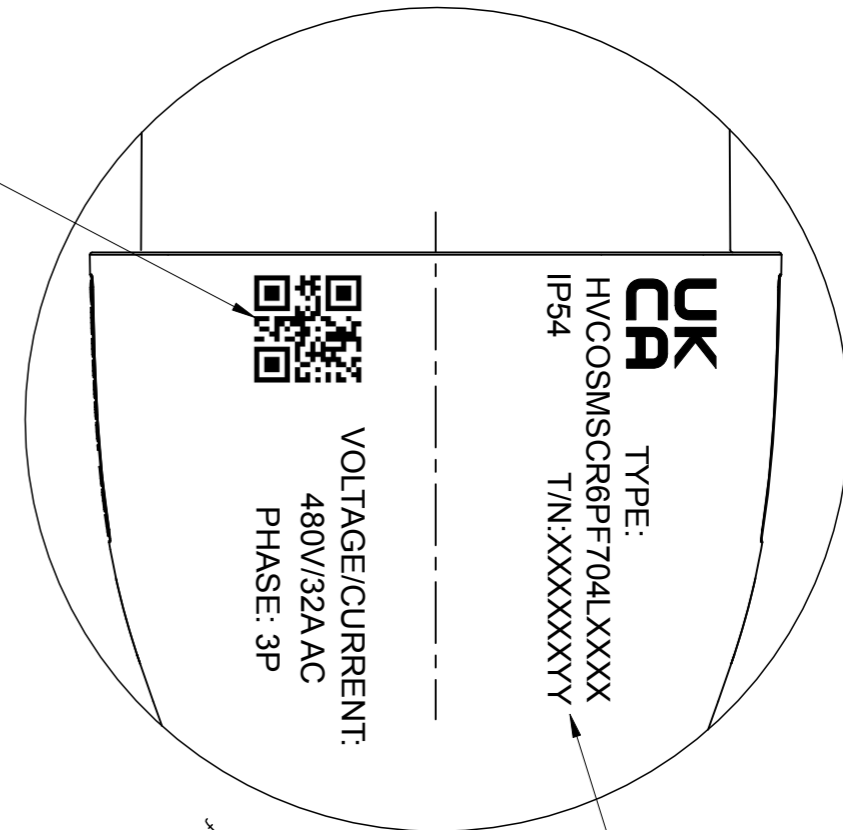
DIMENSIONS	TOLERANCES	PROJECTION	Amphenol PCD Shenzhen		TITLE		
ANSI Y14.5M UNITS: MM	.X ± 0.5 .XX ±0.05 ANGLES ±2.0°		ENGR Max	Aug-13-2023	IEC CHARGING COUPLER 32A 3-PHASE CABLE ASSEMBLY -POTTING		
ORIGINAL	THIS DOCUMENT CONTAINS PROPRIETARY INFORMATION WHICH IS THE CONFIDENTIAL PROPERTY OF Amphenol PCD Shenzhen Co. Ltd Amphenol PCD Shenzhen Co. Ltd RESERVES THE RIGHT TO CLARIFY THIS DRAWING	CHKD Rock.chen	SIZE A3	DWG NO. C-HVCOSMSCR6PF704LXXXX	REV 1	SCALE NA SHEET 1 OF 2	
		APPD Ber					

MODE OF CONNECTION



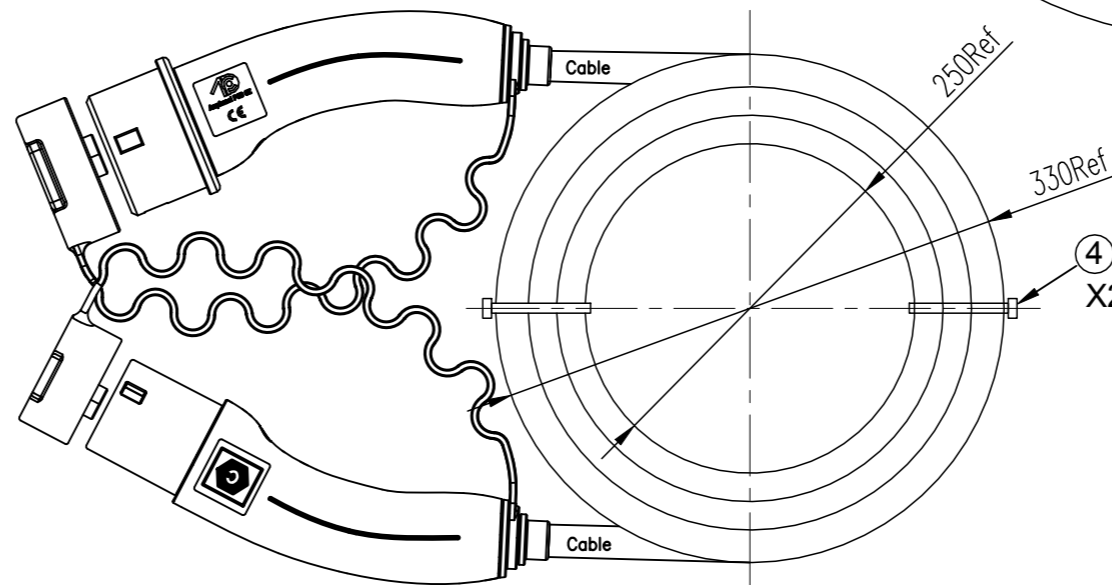
Laser Marking On Vehicle & Stake Plug
QR code only in Vehicle connector end

QR code, content including:
Part number
#Product order number
#Serial number ex:0001



Product order number + batch number

COILING SIZE



安费诺精密连接器(深圳)有限公司
Amphenol PCD Shenzhen
受控文件
2023年8月14日

*Notes:

- Cable assembly data:
 - Rated Voltage: 480V AC(L1&L2&L3&N&PE), 30V DC(PP&CP);
 - Rated Current: 32A Max(L1&L2&L3&N), 2A Max(PP&CP);
 - Insulation Resistance: 100MΩ Min;
 - Dielectric Withstand Voltage :2000V/AC r.m.s;
 - IP-Class: IP54(with CAP fitted) IP55(when mated) IP67 for enclosure;
 - Durability: 10000 cycles;
 - Comply With RoHS;
 - Ambient Temperature: -30°C ~ +50°C;
- Connector reference: C-HVCOSMR6PXXXXL0000
C-HVCOIMBSR6XXXXLXXXX;
- Reference: IEC 62196-2;
- Identifier based on EN17186;
- Minimum bending radius: 142mm;
- HVCOSMSCR6PF704LXXXX

Length(mm)	Tolerance
0~1000	±50
1001~5000	±100
>5000	±200

⑥	P01BP00366	DUST CAP FOR PLUG, BLACK	1	EA
⑤	P01BP00382	DUST CAP FOR VEHICLE CONNECTOR, BLACK	1	EA
④	P05C000011	CABLE TIE BLACK	2	EA
③	CABLE	5C*4mm ² +1C*0.5mm ² BK OD=14.2±0.3	AR	m
②	HVCOIMBSR6PF706N0000	PLUG FOR SUPPLY, 3P,32A,BLACK	1	EA
①	HVCOSMR6PF704L0000	VEHICLE CONNECTOR, 3P,32A,BLACK,SHUTTER	1	EA
ITEM	P/N	DESCRIPTION	QTY	UNIT

SIZE	DWG NO.	REV
A3	C-HVCOSMSCR6PF704LXXXX	1
SCALE	NA	SHEET 2 OF 2