

| REV | ECN | DESCRIPTION | DATE | MODIFIED |
|-----|-----|-------------|-------------|----------|
| 1 | | RELEASE | Aug-14-2023 | . |

Amphenol PCD SZ
ORIGINAL
PDF Format
R&D

Laser Marking

Can not print UKCA logo until Amphenol gets Certificate

UK
CA

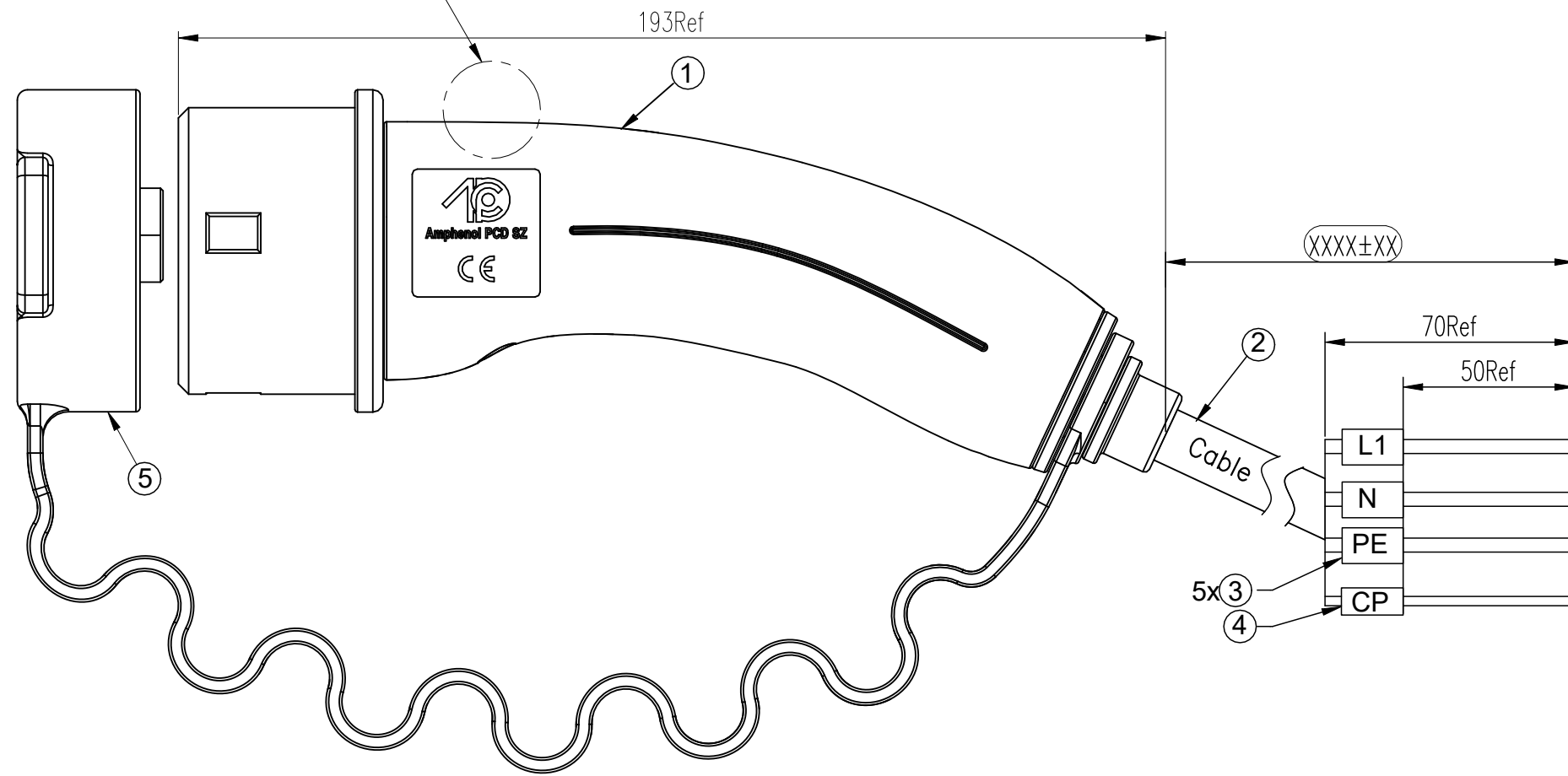
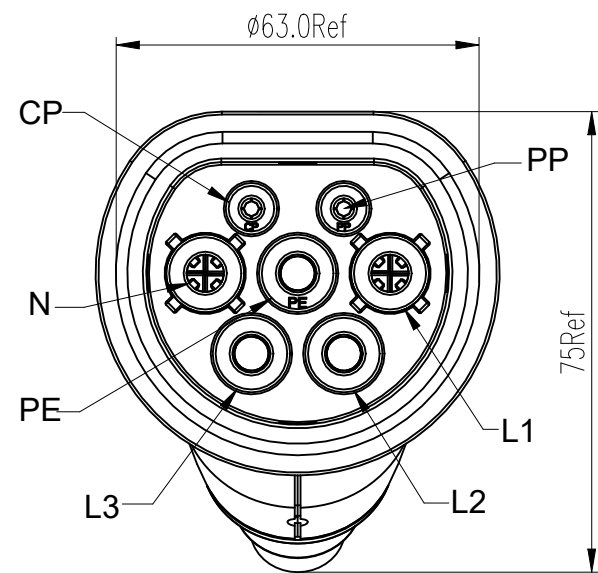
TYPE:
HVCOSMR6PF506LXXXX
IP54 T/N:XXXXXXXXXX

Work order number
+ batch number

QR code,
content including:
Part number
#Work order number
#Serial number ex:0001



VOLTAGE/CURRENT:
250V/32A AC
PHASE: 1P



C-HVCOSMR6PF506LXXXX

C-HVCOSMR6PF506LXXXX

| DIMENSIONS | TOLERANCES | PROJECTION | TITLE | | |
|--------------------------|------------------------------------------------------------------------------------------------------------------------------------------------------------------------------------------------------------|------------|------------------------------------------------------------------------|----------------------|--------------|
| ANSI Y14.5M UNITS: MM | .X ± 0.5 .XX ±0.05 ANGLES ±2.0° | | IEC VEHICLE CONNECTOR 32A 1-PHASE SHUTTER CABLE ASSEMBLY-POTTING | | |
| ORIGINAL | THIS DOCUMENT CONTAINS PROPRIETARY INFORMATION WHICH IS THE CONFIDENTIAL PROPERTY OF Amphenol PCD Shenzhen Co. Ltd Amphenol PCD Shenzhen Co. Ltd RESERVES THE RIGHT TO CLARIFY THIS DRAWING | ENGR | Amphenol PCD Shenzhen | | Aug-14-2023 |
| | | CHKD | Amphenol PCD Shenzhen | | Aug-14-2023 |
| | | APPD | SIZE | DWG NO. | REV |
| | | | A3 | C-HVCOSMR6PF506LXXXX | 1 |
| | | | SCALE | 1:1 | SHEET 1 OF 2 |

Identifier:
Comply with EN17186
Position:

MODE OF CONNECTION:

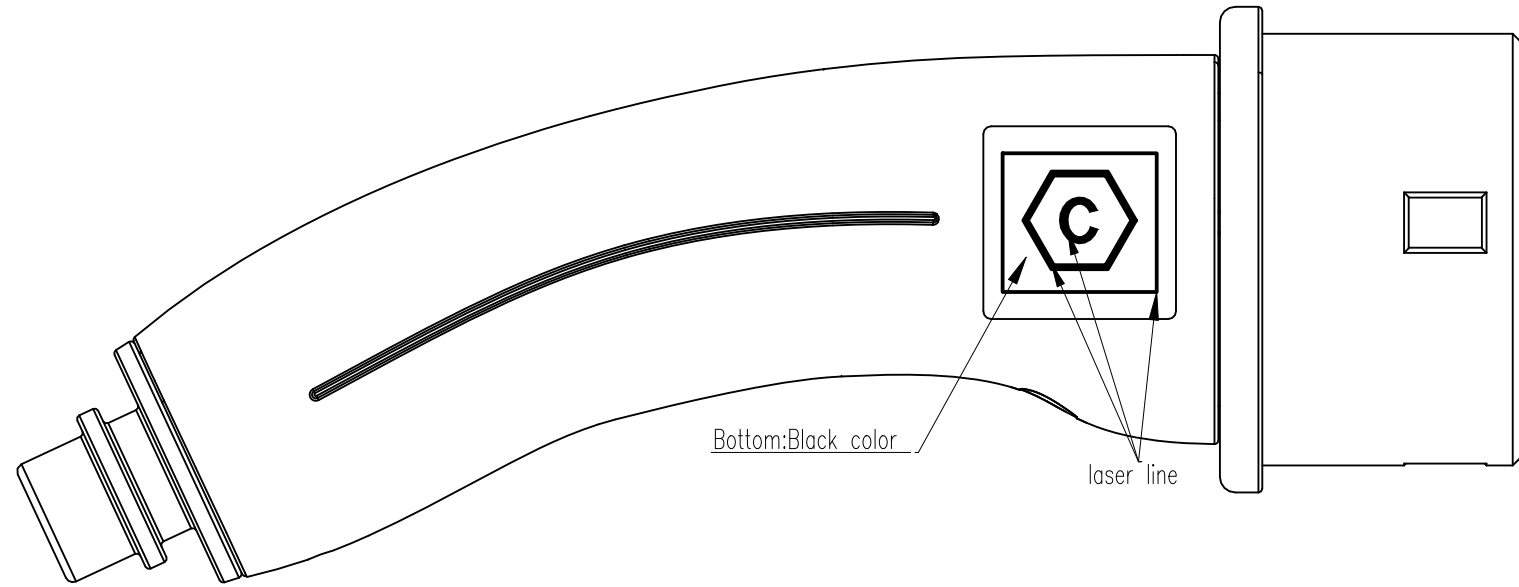
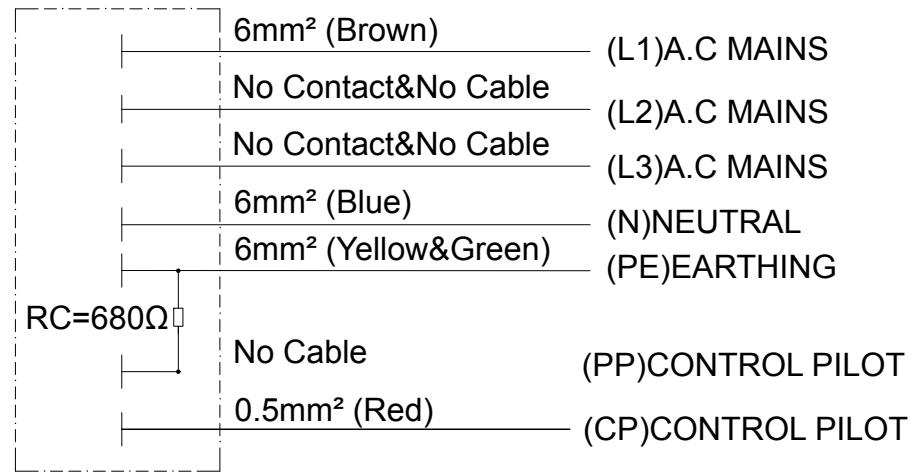
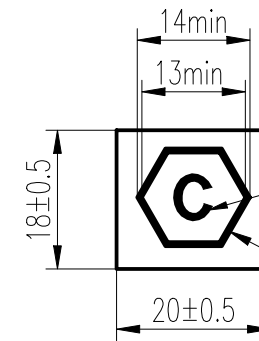


Photo see below:



Size see below:



Can not print EN17186 Identifier until Amphenol gets Certificate

"C"
Place in the middle of hexagon
Font: Arial Bold, Size:5mm min
Line thickness:0.5mm min

*Notes:

- Cable assembly data:
 - Rated Voltage:250VAC(L1&N& PE),30VDC(PP & CP);
 - Rated Current:32A Max(L1&N),2A Max(PP & CP);
 - Insulation Resistance:100MΩ Min(DC500V);
 - Withstand Voltage:2000V/AC r.m.s;
 - IP-Class: IP54(with CAP fitted) IP55(when mated) IP67 for enclosure;
 - Comply With RoHS;
 - Durability: ≥ 10000 cycles;
 - Ambient Temperature: -30°C ~ +50°C;
- IEC Plug reference: C-HVCOSMR6PXXXXL0000;
- Reference: IEC 62196-2 , EN17186;
- Minimun bending radius:128mm;
- C-HVCOSMR6PF506LXXXX

| Length(mm) | Tolerance |
|------------|-----------|
| 0~1000 | ±50 |
| 1001~5000 | ±100 |
| >5000 | ±200 |

| ⑤ | P01BP00382 | DUST CAP FOR PLUG | 1 | EA |
|------|--------------------|-----------------------------------------------------------|------|------|
| ④ | P05B000002 | SINGLE-WALL H.S.T: Ø2.5 WHITE | 0.02 | m |
| ③ | P05B000006 | SINGLE-WALL H.S.T: Ø6.0 WHITE | 0.06 | m |
| ② | CABLE | 3C*6mm ² +1C*0.5mm ² BK OD=12.8±0.4 | AR | m |
| ① | HVCOSMR6PF506L0000 | VEHICLE CONNECTOR, 1P,32A,BLACK | 1 | EA |
| ITEM | P/N | DESCRIPTION | QTY | UNIT |

| | | |
|-------|----------------------|--------------|
| SIZE | DWG NO. | REV |
| A3 | C-HVCOSMR6PF506LXXXX | 1 |
| SCALE | 1:1 | SHEET 2 OF 2 |