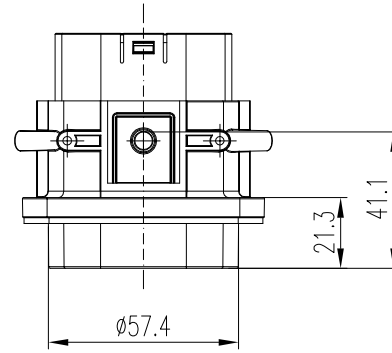
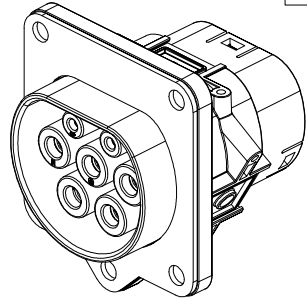
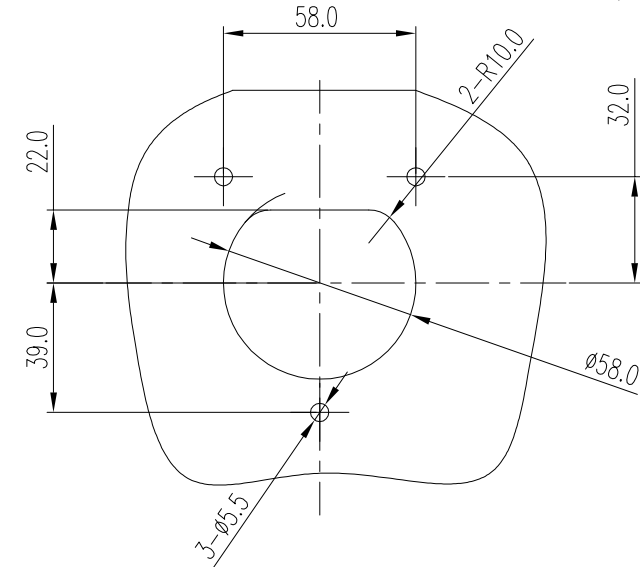
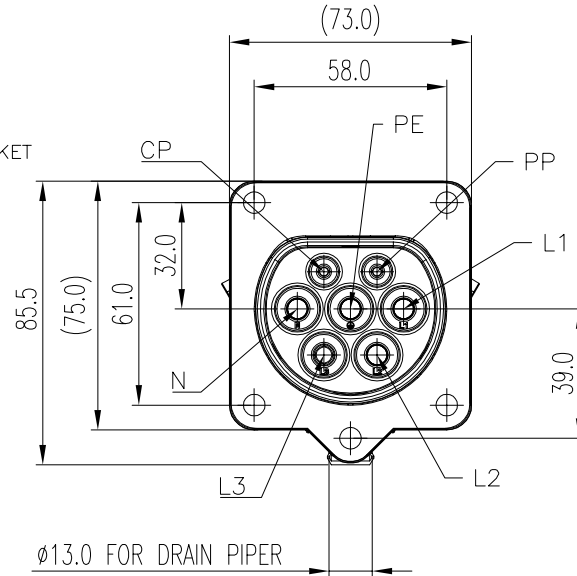
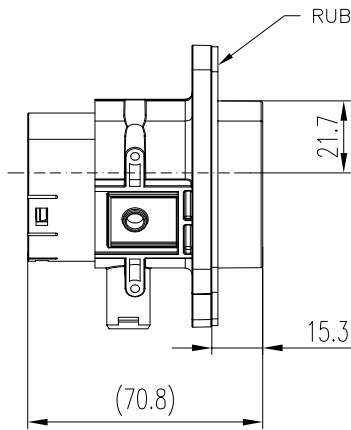


Amphenol PCDSZ
ORIGINAL
PDF Format
31 Mar.16R&D

不压线产品,尾部盖子和接触针装入插座本体中即可.尾部盖子不要扣进去,平垫片需要用扎带扎在插座本体上.



- NOTES:
- TECHNOLOGY SPECIFICATION:
 - OPERATING TEMPERATURE $-30^{\circ}\text{C} \sim 50^{\circ}\text{C}$,
 - OPERATING VOLTAGE & RATE CURRENT:
PP & CP: 30V. DC 2A;
L1, N, PE: 480V. AC 32A
 - REFERENCE IEC 62196-2
 - MODE OF CONNECTION :
 - PP & CP
FIX FEMALE CONTACT,NO NEED CRIMPING
 - L1 & N & PE
FIX FEMALE CONTACT,NO NEED CRIMPING
 - L2 & L3
FIX FEMALE CONTACT,NO NEED CRIMPING



RECOMMENDED PANEL OPENNING SIZE
(THICKNEES=1.50~3.00MM)

ITEM	DESCRIPTION	CABLE SIZE	VOLTAGE&CURRENT
L1	MAINS 1	CONTACT FOR 10mm ² CABLE	480V; 32A
L2	MAINS 2		
L3	MAINS 3		
N	NEUTRAL	CONTACT FOR 10mm ² CABLE	30V; 2A
PE	GROUND	CONTACT FOR 10mm ² CABLE	
PP	PROXIMITY	CONTACT FOR 0.75mm ² CABLE	
CP	CONTROL PILOT	CONTACT FOR 0.75mm ² CABLE	

DIMENSIONS	TOLERANCES	PROJECTION	TITLE		
ANSI Y14.5M UNITS: MM CAD FILE	.X ± 0.5 .XX ± 0.2 ANGLES ± 0.5°		Amphenol Pcd Shenzhen		
ORIGINAL NOT FOR CUSTOMER DISTRIBUTION	THIS DOCUMENT CONTAINS PROPRIETARY INFORMATION WHICH IS THE CONFIDENTIAL PROPERTY OF AMPHENOL PCD SHENZHEN		ENGR		REV A
			CHKD	SIZE A3	
		APPD	CODE:	SCALE 1:2	SHEET 1 OF 1