



AMPHENOL PCD SHENZHEN



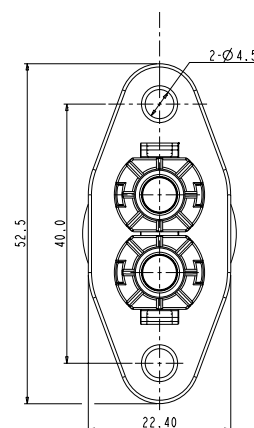
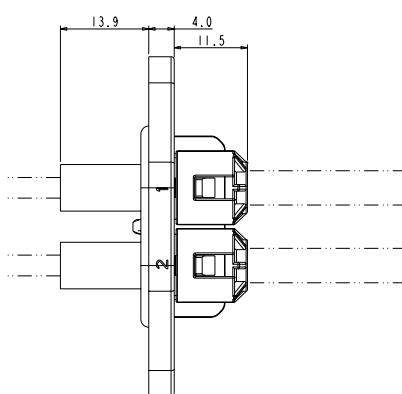
EXCEL | MATE

High Voltage Safety Lock

www.amphenolpcd.com.cn

INDUSTRIAL@AMPHENOL
TRUSTED GLOBALLY

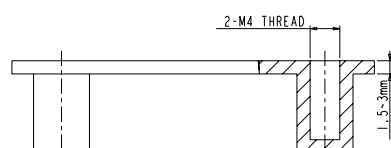
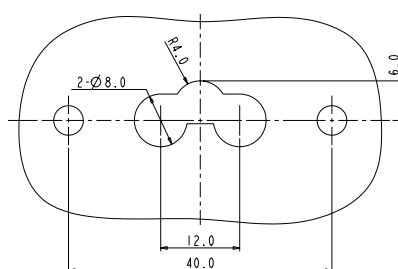
HVPTB 2A POSITION PASS-THROUGH



PART NUMBER

Part number	Conductor cross section (mm ²)	Cable OD (mm)
HVPTB 2 A 06	6.0	6.1 to 6.7
HVPTB 2 A 04	4.0	5.1 to 5.7
HVPTB 2 A 02	2.5 / 3.0	4.3 to 4.8

PANEL MOUNTING DIMENSIONS



Amphenol PCD Shenzhen

Building 21
1st Liao Keng Industrial Zone
Shi Yan Street, Bao An District Shenzhen 518108
China

Tel.: +86 755-8173-8000
Fax: +86 755-8173-8180
Email: inquiry@amphenolpcd.com.cn

www.amphenolpcd.com.cn

Notes:

Amphenol PCD Shenzhen has made every effort to ensure that the information contained in this catalog is accurate at the time of publication. Specifications or information stated in this publication are subject to change without notice.

Amphenol PCD Shenzhen reserves the right to clarify this catalog.