



D-Subminiature EMI/RFI Shielding Interconnection Systems



PRODUCT PROFILE



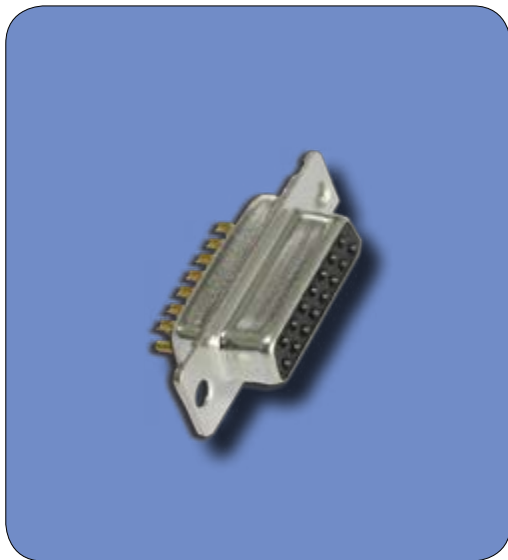
RR-HR

D-Sub connectors - stamped and formed contacts

REAR RELEASE CRIMP CONNECTORS

Designed for high volume production. Amphenol's rear release crimp connector and contacts provide significant cost saving.

According to MIL C24308.



KEY FEATURES

EMI/RFI shell configuration

Removable, reusable contacts

Automatic and manual tooling available

APPLICATIONS

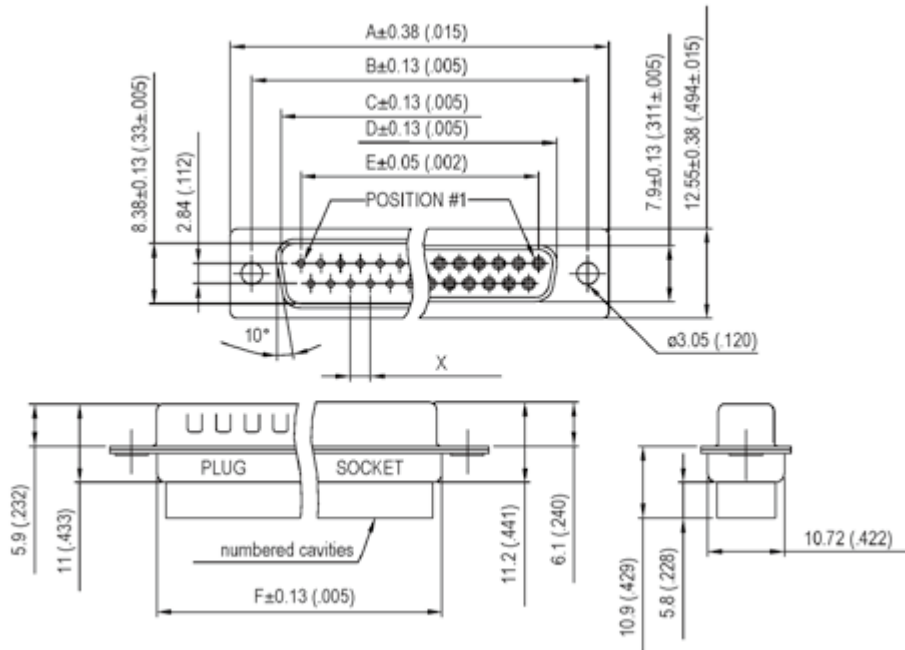
Industrial

Telecom

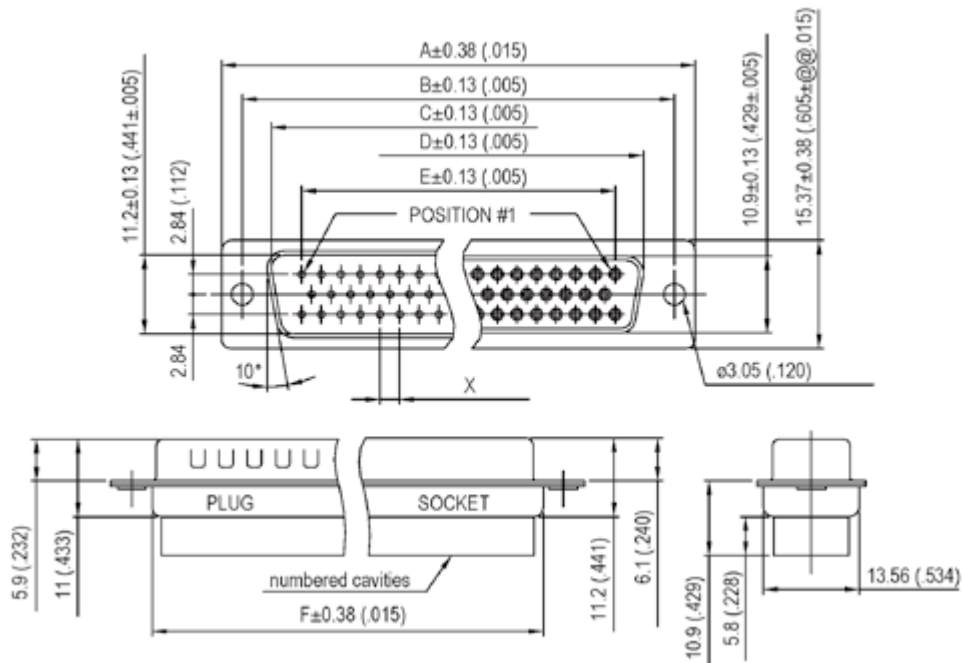
Any industry standard I/O connections

ELECTRICAL					
Rated current		5A			
Rated voltage		500V AC			
Withstanding voltage		RR: 1000V AC 50Hz for 1 min HR: 1000V AC 60Hz for 1 min			
Insulation resistance		RR: 5000MΩ HR: 1000MΩ			
Contact resistance		10mΩ max			
Wire size		20 to 28 AWG max insulation out Φ1.27mm (.05")f			
MECHANICAL					
Mating and unmating force Unit: kg (lb)					
No. of contacts		Mate (max)		Unmate (min)	
RR	HR	RR	HR	RR	HR
9(size E)	15(size E)	3.05(6.74)	3.81(8.42)	0.36(0.79)	0.52(1.14)
15(size A)	26(size A)	5.09(11.24)	5.95(13.16)	0.46(1.01)	1.05(2.32)
25(size B)	44(size B)	9.26(20.46)	9.26(20.46)	0.81(1.8)	1.37(3.02)
37(size C)	62(size C)	13.48(29.78)	13.48(29.78)	1.1(2.47)	1.76(3.88)
50(size D)	78(size D)	15.82(34.96)	15.82(34.96)	1.6(3.56)	2.02(4.46)
ENVIRONMENTAL					
Temperature range		-55°C to 105°C			
Flammability		UL94-V0			
Salt spray		96h			
MATERIAL					
Shell		Steel yellow chromated over zinc or tinned steel with or without dimples on plug connector.			
Insulator		Black glass-filled thermoplastic, UL94V-0			
Rear insert		Brass, 3µm up to 5µm			
Screwlock		Brass, silver or gold plated			
Contacts		Under plating		Crimp side	
0.2µm(8µ")gold		2µm(78µ") nickel		gold flash or tin	
0.2µm(20µ")gold		2µm(78µ") nickel		gold flash or tin	
0.2µm(30µ")gold		2µm(78µ") nickel		gold flash or tin	

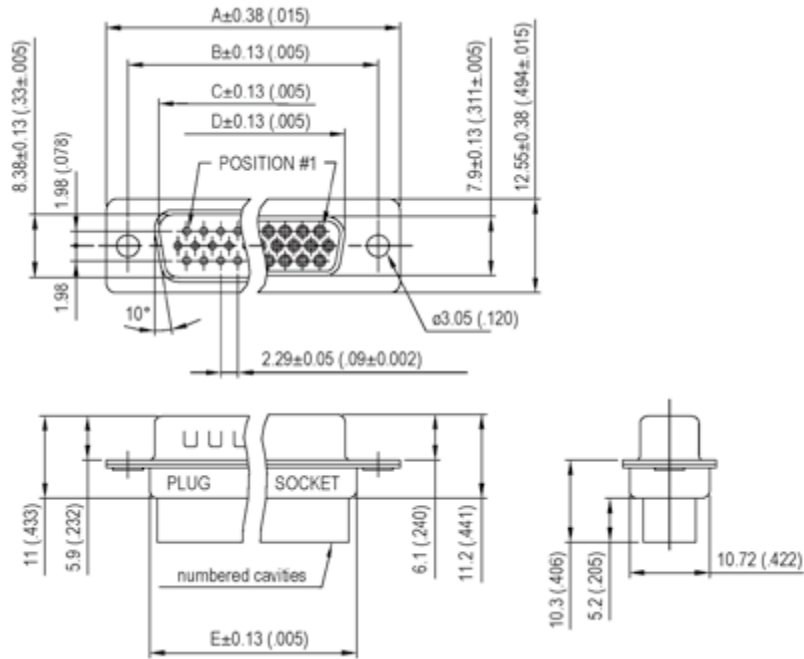
STANDARD DENSITY RR



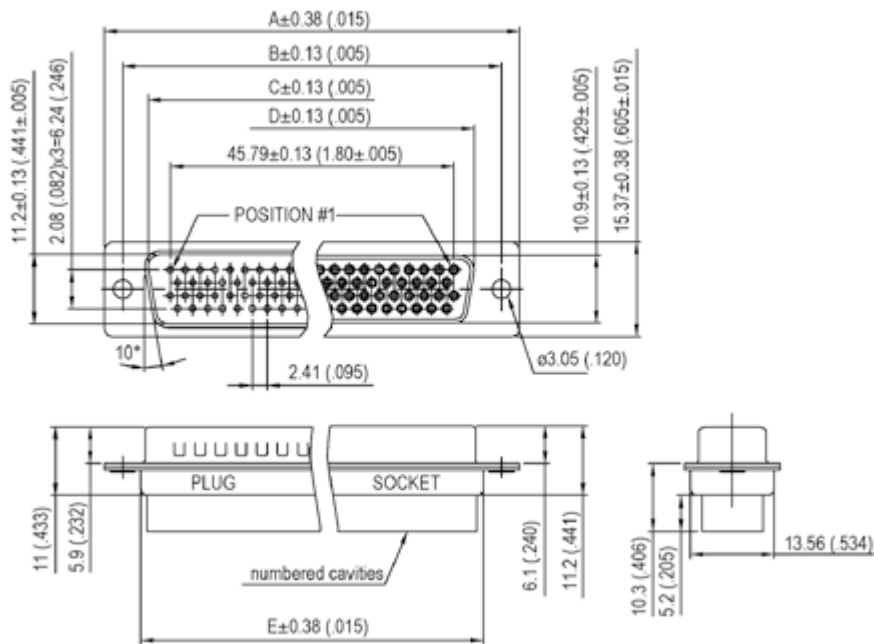
Number of contacts	DIMENSIONS mm (inch)					
	A	B	C	D	E	F
9	30.84 (1.21)	24.99 (.98)	16.92 (.67)	16.24 (.64)	11.09 (.44)	19.28 (.76)
15	39.24 (1.54)	33.32 (1.31)	24.7 (.972)	24.56 (.97)	19.39 (.76)	27.51 (1.08)
25	53.04 (2.09)	47.04 (1.85)	38.96 (1.53)	38.38 (1.51)	33.24 (1.31)	41.30 (1.63)
37	69.32 (2.73)	63.5 (2.50)	55.42 (2.18)	54.76 (2.16)	49.86 (1.96)	57.71 (2.27)
50	67 (2.64)	61.11 (2.41)	52.86 (2.08)	52.34 (2.06)	44.32 (1.75)	55.3 (2.18)



HIGH DENSITY HR

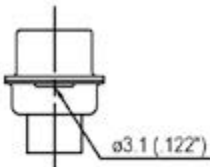


Number of contacts	DIMENSIONS mm (inch)					
	A	B	C	D	E	F
9	30.84 (1.21)	24.99 (.98)	16.92 (.67)	16.24 (.64)	11.09 (.44)	19.28 (.76)
15	39.24 (1.54)	33.32 (1.31)	24.7 (.972)	24.56 (.97)	19.39 (.76)	27.51 (1.08)
25	53.04 (2.09)	47.04 (1.85)	38.96 (1.53)	38.38 (1.51)	33.24 (1.31)	41.30 (1.63)
37	69.32 (2.73)	63.5 (2.50)	55.42 (2.18)	54.76 (2.16)	49.86 (1.96)	57.71 (2.27)
50	67 (2.64)	61.11 (2.41)	52.86 (2.08)	52.34 (2.06)	44.32 (1.75)	55.3 (2.18)

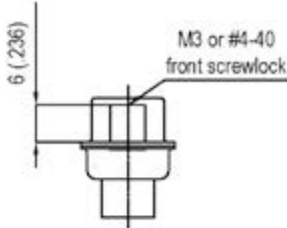


PANEL MOUNTING OPTION

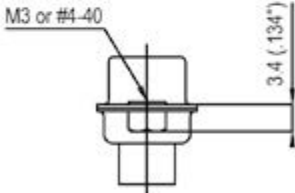
STANDARD DENSITY



Standard rivet \varnothing 3.1mm
no digit

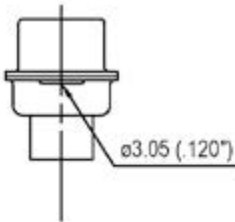


Fixed front female screwlock
VF / VFM

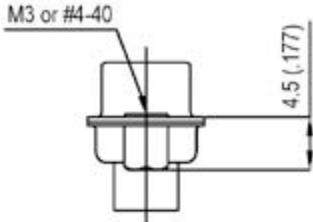


Threaded rear insert
H / G

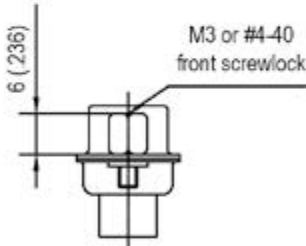
HIGH DENSITY HR



Standard rivet \varnothing 3.05mm
no digit



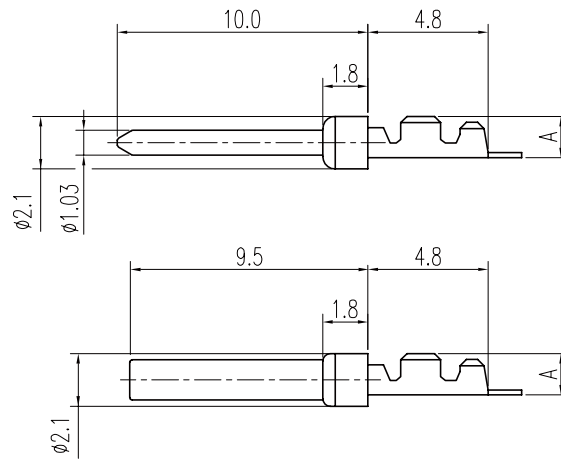
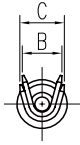
Threaded rear insert
H / G



Fixed front female screwlock
VF / VFM

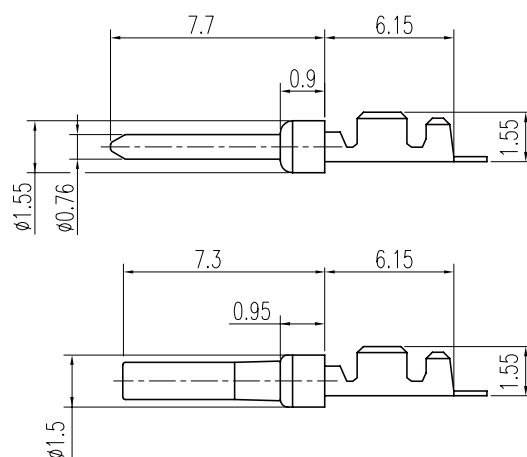
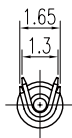
STAMPED CRIMP CONTACTS

STANDARD DENSITY



AWG	A	B	C
20 - 24	1.8 (.071")	1.9 (.075")	2.5 (.098")
24 - 28	1.4 (.055")	1.5 (.059")	1.7 (.066")

HIGH DENSITY HR



HOW TO ORDER RR (STANDARD DENSITY)

HOUSINGS

	L	RR
RoHS compliant								
177: Tinned shell for receptacle 777: Tinned shell + dimples for plug								
Shell size: E, A, B, C, D								
Rear mounting type: H: Rear insert 4-40 G: Rear insert M3 Omit: Standard rivet Φ 3.1m								
Configuration: 09, 15, 25, 37, 50								
Contact type: P: Pin S: Socket								
Front mounting type: VF: Front screwlock 4-40 VFM: Front screwlock M3								

CONTACTS

	L	17	RR
RoHS compliant							
Wire size: D1: AWG20 to 24 D2: AWG24 to 28							
Contact type: M: Male F: Female							
Full gold plating: 01: 0.2 μ m (8 μ "") 02: 0.5 μ m (20 μ "") 04: 0.76 μ m (30 μ "")							
Selective gold plating: 11: 0.2 μ m (8 μ "") Au + 2 μ m (78 μ "") Sn 12: 0.5 μ m (20 μ "") Au + 2 μ m (78 μ "") Sn 14: 0.76 μ m (30 μ "") Au + 2 μ m (78 μ "") Sn							
Packaging: 100: Bulkpack unit (100 cts) 400: Reel of 400 cts 2K: Reel of 2000 cts 10K: Reel of 10000 cts (right feed reel) 10G: Reel of 10000 cts (left feed reel)							

REEL WINDING DIRECTION



Left to right feed reel: G Right to left feed reel: K

HOW TO ORDER RR (HIGH DENSITY)

HOUSINGS

	L	RR
RoHS compliant								
177: Tinned shell for receptacle 777: Tinned shell + dimples for plug								
Shell size: E, A, B, C, D								
Rear mounting type: H: Rear insert 4-40 G: Rear insert M3 Omit: Standard rivet $\Phi 3.1\text{m}$								
Configuration: 09, 15, 25, 37, 50								
Contact type: P: Pin S: Socket								
Front mounting type: VF: Front screwlock 4-40 VFM: Front screwlock M3								

CONTACTS

	L	17	HR	D2
RoHS compliant							
Wire size: D2: AWG24 to 28							
Contact type: M: Male F: Female							
Full gold plating: 01: $0.2\mu\text{m}$ ($8\mu''$) 02: $0.5\mu\text{m}$ ($20\mu''$) 04: $0.76\mu\text{m}$ ($30\mu''$)							
Selective gold plating: 11: $0.2\mu\text{m}$ ($8\mu''$) Au + $2\mu\text{m}$ ($78\mu''$) Sn 12: $0.5\mu\text{m}$ ($20\mu''$) Au + $2\mu\text{m}$ ($78\mu''$) Sn 14: $0.76\mu\text{m}$ ($30\mu''$) Au + $2\mu\text{m}$ ($78\mu''$) Sn							
Packaging: 5K: Reel of 5000 cts (right reel) 5G: Reel of 400 cts (left reel) 10K: Reel of 10000 cts (right reel) 10G: Reel of 10000 cts (left reel)							

REEL WINDING DIRECTION



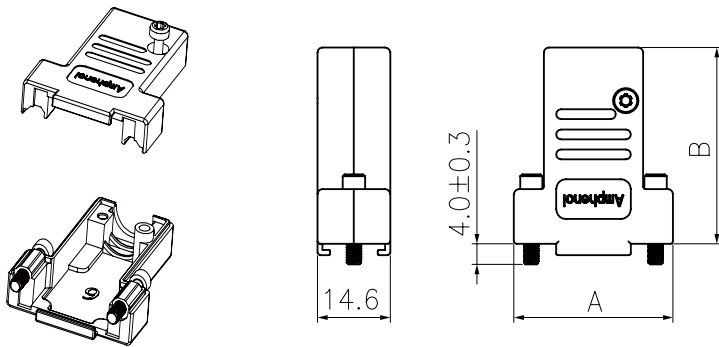
Left to right feed reel: G

Right to left feed reel: K

SHIELDED D-SUB BACKSHELLS APCD-VZK SERIES



ELECTRICAL	
Material	Zinc, nickel plated
Temperature range	-40°C to 120°C
Cable strain relief	Cable clamp with 2 assembly screws
Cable diameter	4.0 to 13.0mm
Locking screw	Delivered with pre-mounted jackscrews
Hood	Top entry
Attenuation factor	> 60dB between 300MHZ and 900 MHZ



Type	A	B
APCD VZK09	32	39.5
APCD VZK15	40.3	39.5

Dimension in mm

KEY FEATURES

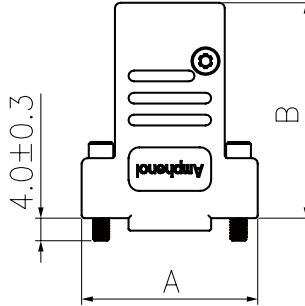
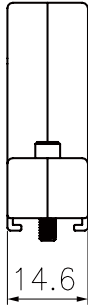
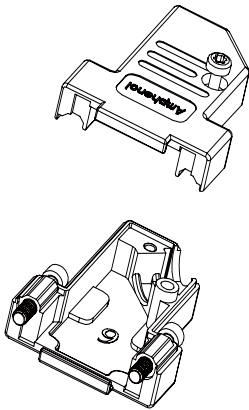
- 9 & 15 way available
- EMI shielding
- Pre-mounted screw to easy assembly
- Foil and braided cable acceptable
- Comforming with VDE 0871, FCC 20780 & 89/336/EU
- Screw lock UNC 4-40 or M3
- Other request, please contact us

	APCD VZK	09	U	K
Product series				
Size:				
09, 15				
Thread (jackscrew)				
Omit: M3.0				
U=UNC4-40				
Packaging:				
K: Kit package				
BULK: Bulk / 100pcs				

SHIELDED D-SUB BACKSHELLS APCD-ZK SERIES



ELECTRICAL	
Material	Zinc, nickel plated
Temperature range	-40°C to 120°C
Cable strain relief	Cable clamp with 2 assembly screws
Cable diameter	4.0 to 13.0mm
Locking screw	Delivered with pre-mounted jackscrews
Hood	Side entry
Attenuation factor	> 60dB between 300MHZ and 900 MHZ



Type	A	B
APCD ZK09	32	39.5
APCD ZK15	40.3	39.5

Dimension in mm

KEY FEATURES

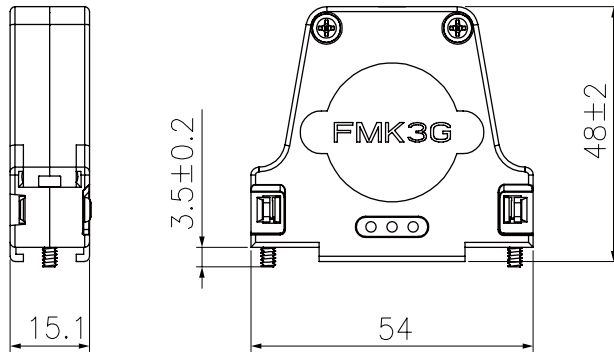
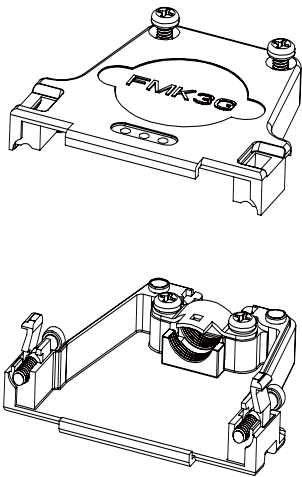
- 9 & 15 way available
- EMI shielding
- Pre-mounted screw to easy assembly
- Foil and braided cable acceptable
- Comforming with VDE 0871, FCC 20780 & 89/336/EU
- Screw lock UNC 4-40 or M3
- Other request, please contact us

	APCD ZK	09	U	K
Product series				
Size:				
09, 15				
Thread (jackscrew)				
Omit: M3.0				
U=UNC4-40				
Packaging:				
K: Kit package				
BULK: Bulk / 100pcs				

SHIELDED D-SUB BACKSHELLS ASFMK3G SERIES



ELECTRICAL	
Material	Zinc, nickel plated
Temperature range	-40°C to 120°C
Cable strain relief	Cable clamp with 2 assembly screws
Cable diameter	4.0 to 13.0mm
Locking screw	Delivered with pre-mounted jackscrews
Hood	Top entry
Attenuation factor	> 60dB between 300MHZ and 900 MHZ



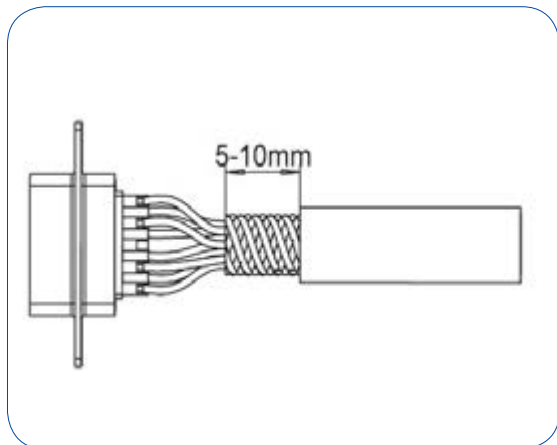
KEY FEATURES

- For Dsub size 25 (Standard density)
- EMI shielding
- Pre-mounted screw to easy assembly
- Foil and braided cable acceptable
- Comforming with VDE 0871, FCC 20780 & 89/336/EU
- Screw lock UNC 4-40 or M3
- Other request, please contact us

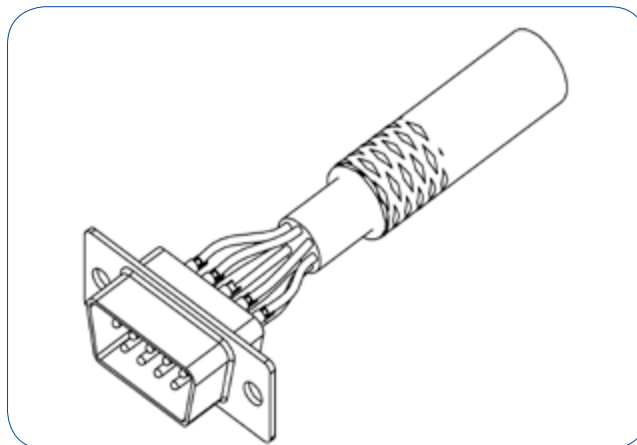
	ASFMK3G	M3	U
Product series			
Thread (jackscrew)			
Omit: UNC4-40			
M3.0			
Packaging:			
Omit: Kit package			

ASSEMBLY INSTRUCTION APCDVZK SERIES

1. Strip cable

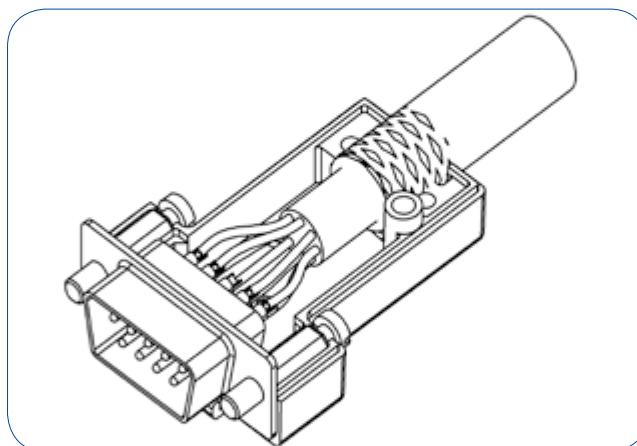
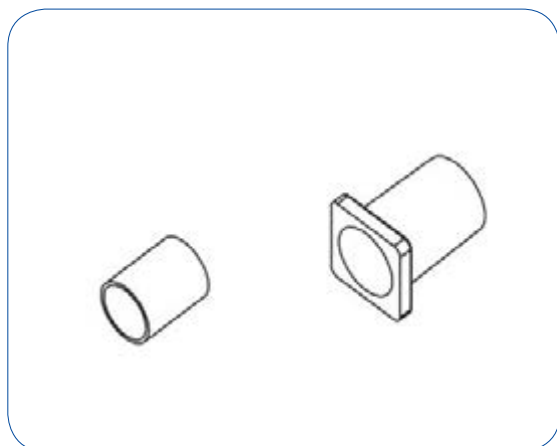


2. Bend cable shielding back on outside of cable

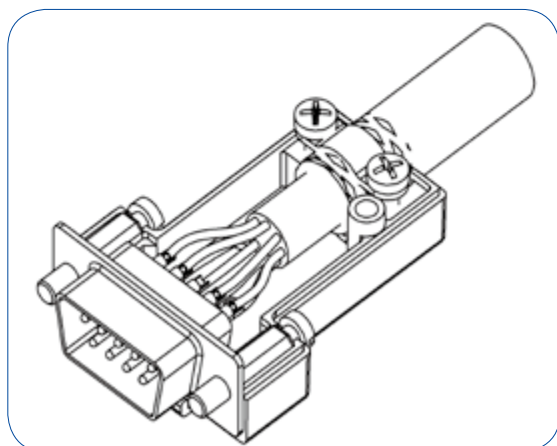


3. Mount connector and cable into the backshell.

NOTE! Ferrule and rubber bushing can be delivered as an option.

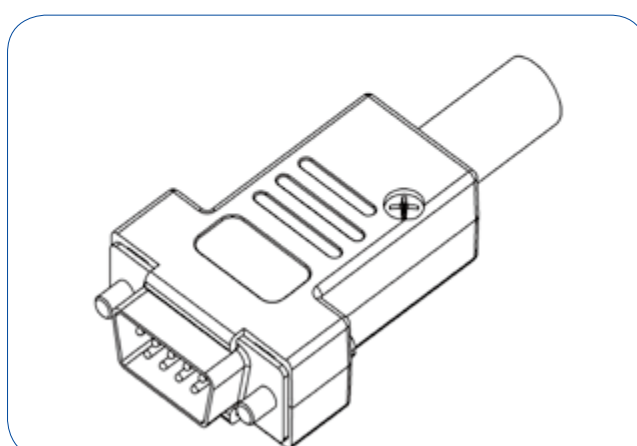


4. Mount cable clamp and screws.



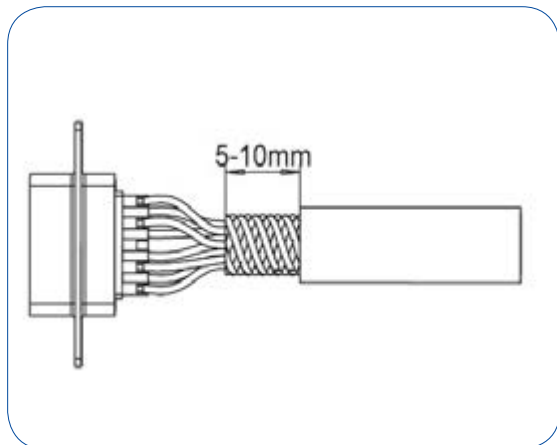
5. Assemble the another side.

Screwing force: 100 to 120 Ncm.

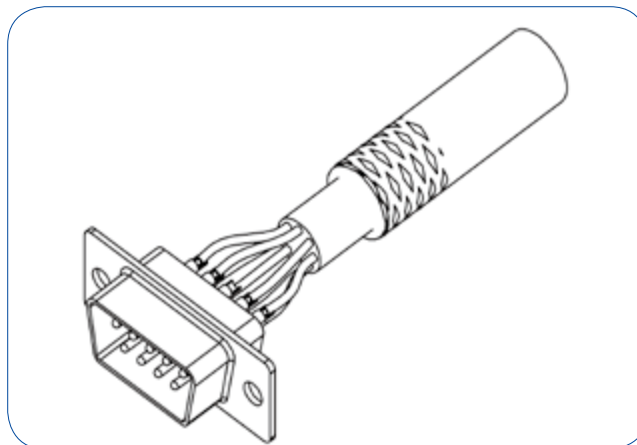


ASSEMBLY INSTRUCTION APCDZK SERIES

1. Strip cable

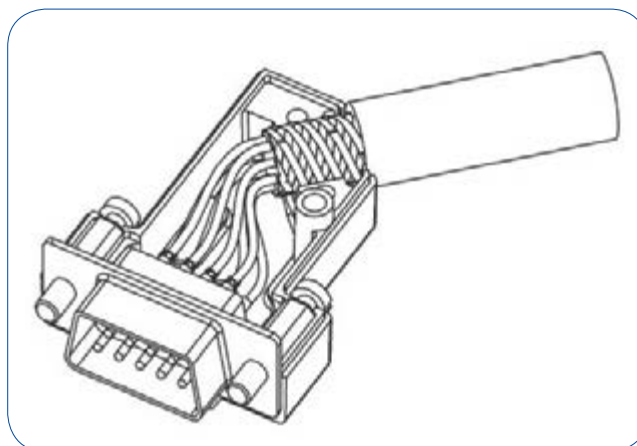
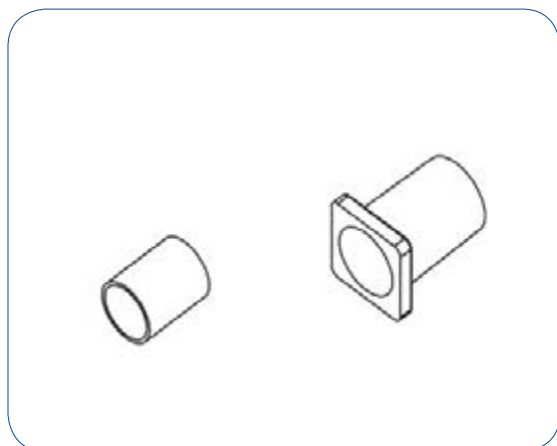


2. Bend cable shielding back on outside of cable

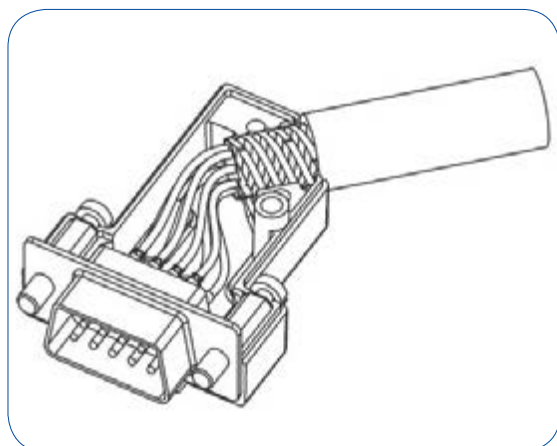


3. Mount connector and cable into the backshell.

NOTE! Ferrule and rubber bushing can be delivered as an option.

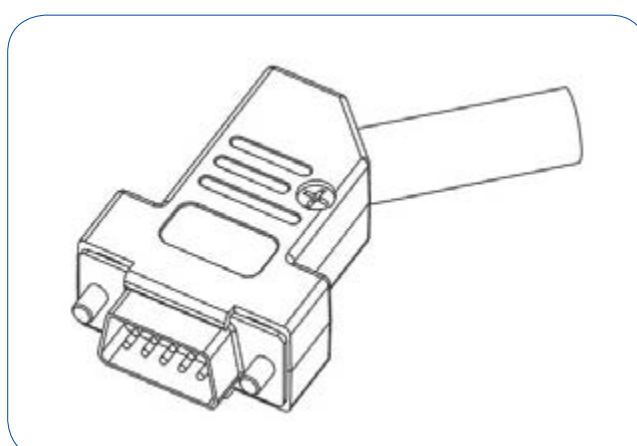


4. Mount cable clamp and screws.



5. Assemble the another side.

Screwing force: 100 to 120 Ncm.



TOOLS FOR STAMPED CRIMP CONTACTS

For standard density crimp contacts: 17RR series	
Contact insertion and removal tool	L17D 438 SP
Hand crimp tool for single contacts AWG 20 to 28	L17D 440 SP
Hand crimp tool for reels of 400 contacts	FA 0000 762
Crimp dies: AWG 20 to 24	FA 0000 104
Crimp dies: AWG 24 to 28	FA 0000 102
Stripping box	FE 0400
Automatic crimp machine for reels of 2000 to 1000 contacts	970 MC
Crimp dies: AWG 20 to 24	968 MC
Crimp dies: AWG 24 to 28	972 MC
For high density crimp contacts: 17HR series	
Automatic crimp machine for reels of 2000 to 1000 contacts	970 MC
Crimp dies: AWG 24 to 28	973 MC

Amphenol PCD Shenzhen

Building 21
1st Liao Keng Industrial Zone
Shi Yan Street, Bao An District Shenzhen 518108
China

Tel.: +86 755-8173-8000
Fax: +86 755-8173-8180
Email: inquiry@amphenolpcd.com.cn

www.amphenolpcd.com.cn

Notes:

Amphenol PCD Shenzhen has made every effort to ensure that the information contained in this catalog is accurate at the time of publication. Specifications or information stated in this publication are subject to change without notice.

Amphenol PCD Shenzhen reserves the right to clarify this catalog.