

# ASGL

Ruggedized Connector Series for Rail & Mass Transit  
and Other Harsh Environmental Applications



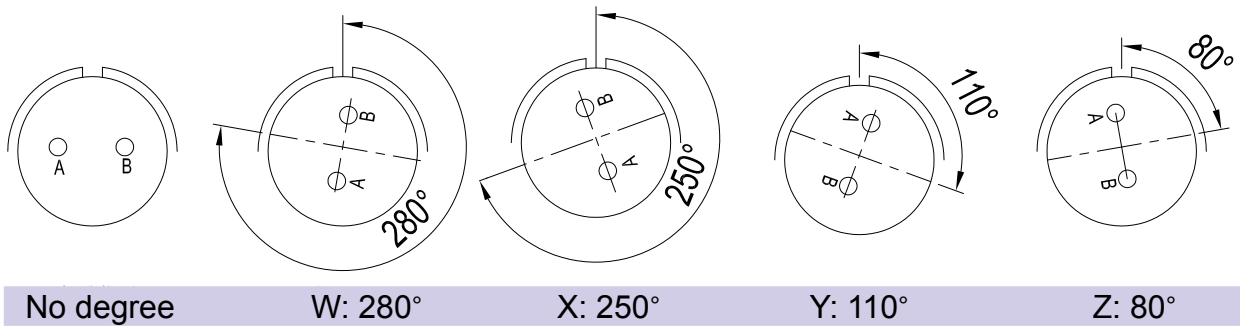
## PRODUCT INTRODUCTION



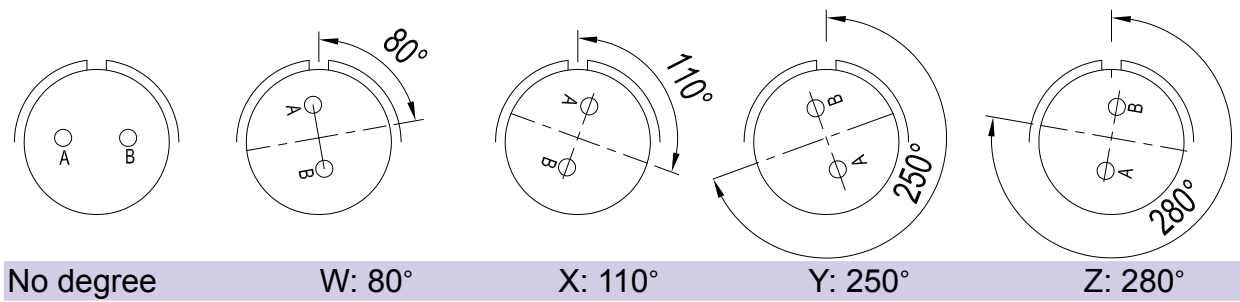
ASGL Series connector it's circular bayonet locking connector which are used principally in transit rail industry and heavy applications. The main characteristic is the fast and precise coupling of the receptacle and plug connectors. It's sealed connector with water proof IP67 rated

## ALTERNATE INSERT POSITION

### PLUG



### RECEPTACLE



Shell size	Angle in degrees (Front face of receptacle view)			
	W	X	Y	Z
24-14	80°	110°	250°	280°
28-27	80°	110°	250°	280°

## HOW TO ORDER

	<b>ASGL</b>	<b>6</b>	<b>L</b>	<b>24</b>	<b>14</b>	<b>S</b>	<b>C</b>	<b>A</b>	<b>/</b>	<b>/</b>	<b>X</b>
<b>Connector type:</b>											
<ul style="list-style-type: none"> <li><b>0:</b> Cable mounted receptacle (Circular flange)</li> <li><b>1:</b> Cable mounted receptacle (Square flange)</li> <li><b>2:</b> Wall or box mounted receptacle (Circular flange)</li> <li><b>3:</b> Wall or box mounted receptacle (Square flange)</li> <li><b>5:</b> Jam nut receptacle</li> <li><b>6:</b> Straight plug</li> <li><b>8:</b> R/A plug</li> </ul>											
<b>Service class:</b>											
<ul style="list-style-type: none"> <li><b>L:</b> Water proof</li> <li><b>A:</b> Non-watertight</li> </ul>											
<b>Shell size:</b>											
24, 28											
Insert arrangement:											
Please refer to P5, P6											
<b>Contact type:</b>											
<ul style="list-style-type: none"> <li><b>P:</b> Pin</li> <li><b>S:</b> Socket</li> </ul>											
<b>Contact wire type:</b>											
<ul style="list-style-type: none"> <li><b>C:</b> Crimp</li> </ul>											
<b>Backshell:</b>											
<ul style="list-style-type: none"> <li><b>A:</b> Cable clamp without sleeve</li> <li><b>B:</b> Cable clamp with sleeve</li> <li><b>D:</b> Nut</li> <li><b>LF:</b> With hoop</li> <li><b>M:</b> Metric thread</li> <li><b>PG:</b> PG thread</li> </ul>											
<b>Cable entry size:</b>											
(A,B,D) 20: $\Phi 20$ , others please refer to page 9 to 15											
(M) 25: M25 thread, other size please contact us.											
(PG) 21: PG21 thread											
<b>Shell plating:</b>											
<ul style="list-style-type: none"> <li><b>Omit:</b> Olive drab zinc</li> <li><b>CD:</b> Cadmium</li> <li><b>NI:</b> Nickel</li> <li><b>BZ:</b> Black zinc</li> <li>Others please contact us</li> </ul>											
<b>Alternate position :</b>											
<ul style="list-style-type: none"> <li><b>/:</b> Omit, no degree</li> <li><b>W:</b> 280°</li> <li><b>X:</b> 250°</li> <li><b>Y:</b> 110°</li> <li><b>Z:</b> 80°</li> </ul>											

## ASGL



### KEY FEATURES

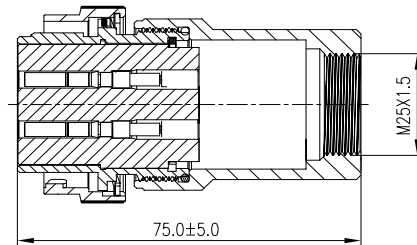
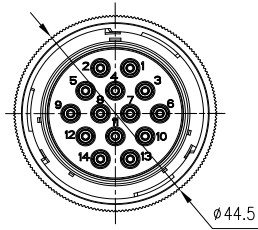
- Reverse bayonet connector
- Anti cross-plugging key in the shell
- Resistant to vibrations and shocks
- Alternate insert position
- Sealing, IP67

MECHANICAL	
Durability	≥ 500 mating cycles
Vibration & shock	Category 2 (EN61373)
Contact retention force	70N
ELECTRICAL	
Rated current	13A max
Rated voltage	250V AC
Contact resistance	< 2.5mΩ
Insulator resistance	≥ 5000MΩ
Withstanding voltage	1500V
ENVIRONMENTAL	
Temperature range	-40°C to 125°C
Humidity	90% to 95% (40±2°C)
Sealing	DIN EN 60529, IP67
Inflammability	UL94-V0
Salt spray	96h
MATERIAL	
Shell	Alu.alloy, olive drab zinc plating
Inserts	Thermoplastic
Sealing gasket	Silicon rubber
Contact	Copper alloy, silver plating

WATERPROOF (24-14)

STRAIGHT PLUG (FEMALE CONTACT)

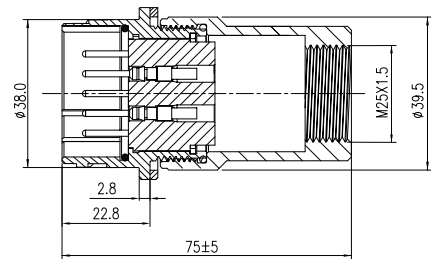
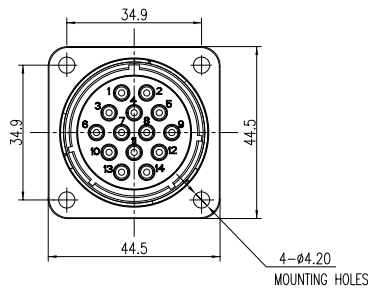
P/N: ASGL6L2414SCM25-X FOR CABLE



WATERPROOF

RECEPTACLE (MALE CONTACT)

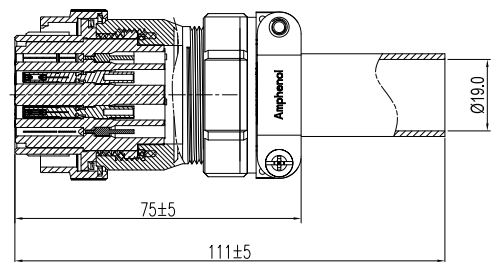
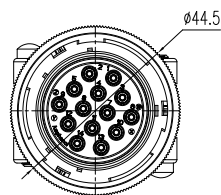
P/N: ASGL1L2414PCM25-X FOR CABLE



NON WATERPROOF PLUG

STRAIGHT PLUG (FEMALE CONTACT)

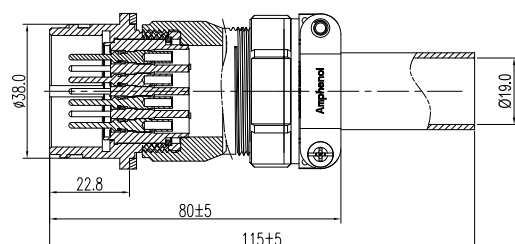
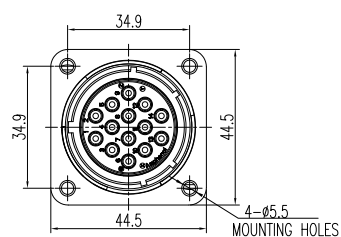
P/N: ASGL6A2414SCD19-X FOR CABLE



NON WATERPROOF PLUG

STRAIGHT PLUG (MALE CONTACT)

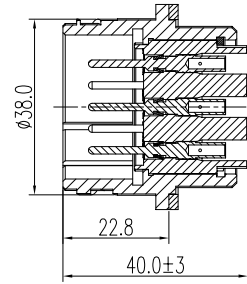
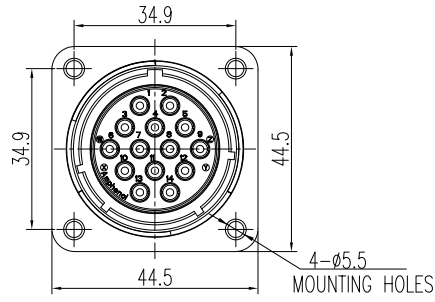
P/N: ASGL1A2414PCD19-X FOR CABLE



NON WATERPROOF RECEPTACLE

WALL OR BOX MOUNTED RECEPTACLE (MALE CONTACT)

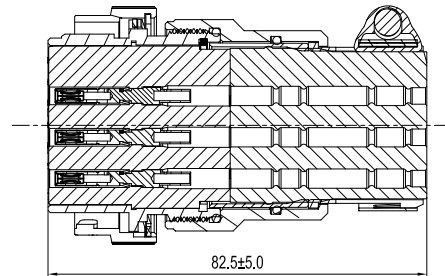
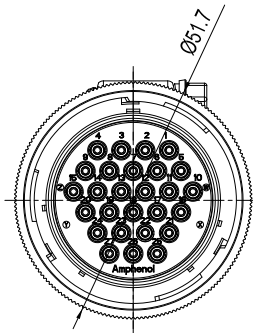
P/N: ASGL3A2414PC-X



WATERPROOF PLUG (28-27)

STRAIGHT PLUG (FEMALE CONTACT)

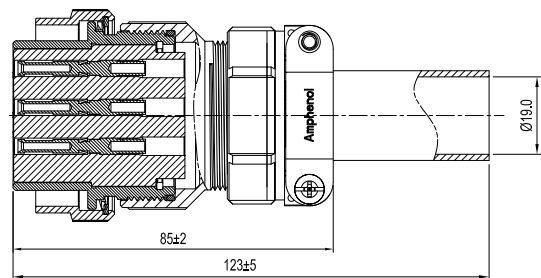
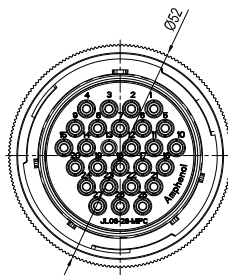
P/N: ASGL6L2827SCLF-X FOR CABLE



NON WATERPROOF PLUG

STRAIGHT PLUG (FEMALE CONTACT)

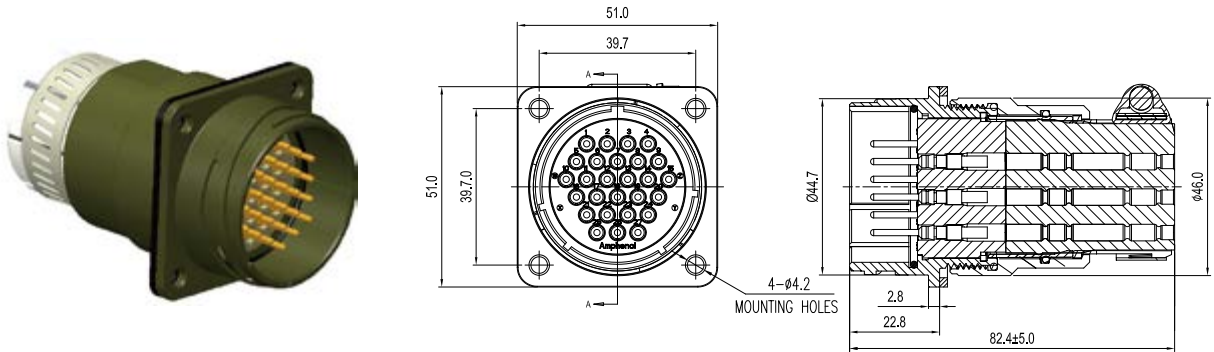
P/N: ASGL6A2827SCD19-X FOR CABLE



WATERPROOF RECEPTACLE (28-27)

CABLE MOUNTED RECEPTACLE (MALE CONTACT)

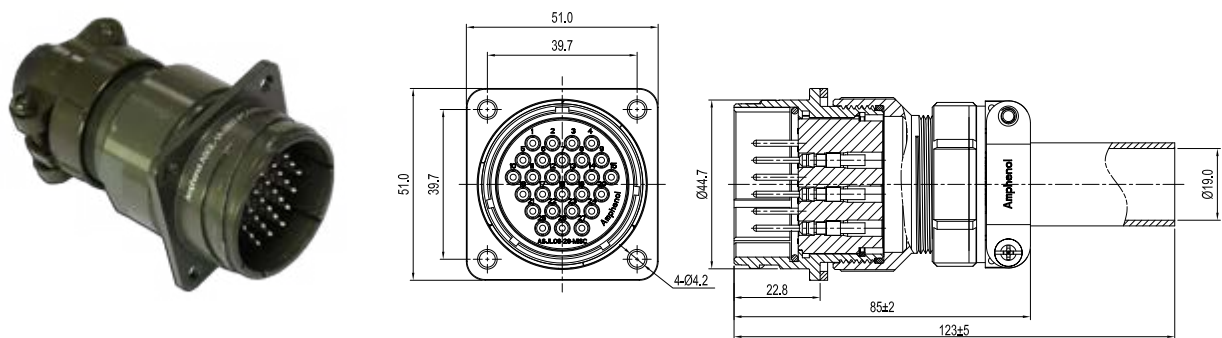
P/N: ASGL1L2827PCLF-X FOR CABLE



NON WATERPROOF RECEPTACLE

CABLE MOUNTED RECEPTACLE (MALE CONTACT)

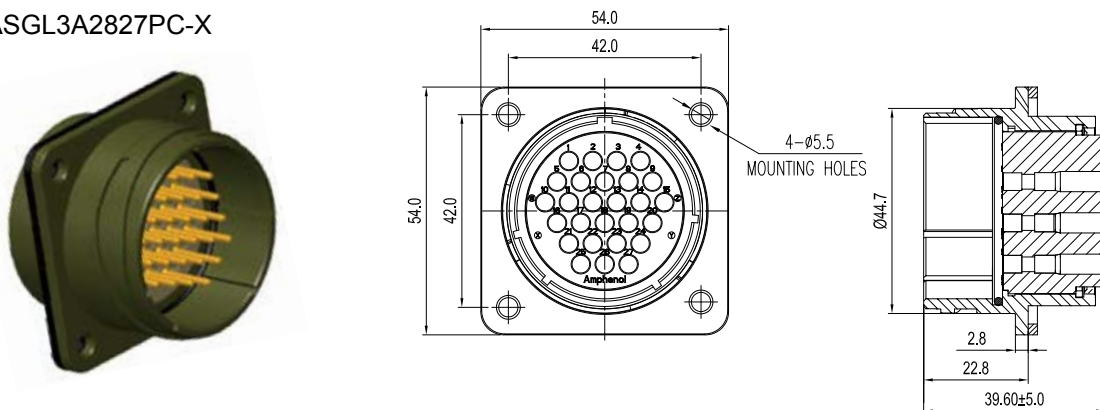
P/N: ASGL1A2827PCD19-X FOR CABLE



NON WATERPROOF RECEPTACLE

WALL OR BOX MOUNTED RECEPTACLE (MALE CONTACT)

P/N: ASGL3A2827PC-X





## CONTACTS

Contact	Part number		Wire size	Plating	Tools	
	Male contact	Female contact			Crimping	Extraction
#16(New)	C42000400500(G)	C52000409500(G)	1.0 to 1.5mm <sup>2</sup>	Silver(Gold)	M22520/1-01	ASGTC-R-16
#16(New)	C42000400501(G)	C52000409501(G)	0.5 to 1.0mm <sup>2</sup>	Silver(Gold)	M22520/1-01	ASGTC-R-16
#16(New)	C42000400502(G)	C52000409502(G)	1.5 to 2.0mm <sup>2</sup>	Silver(Gold)	M22520/1-01	ASGTC-R-16

## TOOLS

Crimping tool [M22520/1-01](#)



Extraction tool [ASGTC-R-16](#)



Amphenol PCD Shenzhen

Building 21  
1<sup>st</sup> Liao Keng Industrial Zone  
Shi Yan Street, Bao An District Shenzhen 518108  
China

Tel.: +86 755-8173-8000  
Fax: +86 755-8173-8180  
Email: [inquiry@amphenolpcd.com.cn](mailto:inquiry@amphenolpcd.com.cn)

[www.amphenolpcd.com.cn](http://www.amphenolpcd.com.cn)

Notes:

Amphenol PCD Shenzhen has made every effort to ensure that the information contained in this catalog is accurate at the time of publication. Specifications or information stated in this publication are subject to change without notice.

Amphenol PCD Shenzhen reserves the right to clarify this catalog.